



Bringard

MILLWORKS

2400 South 2570 West
West Valley, UT 84119
Phone: 801-973-4466
Fax: 801-972-5956
www.bringard.com

Molding & Stair Catalog 2025

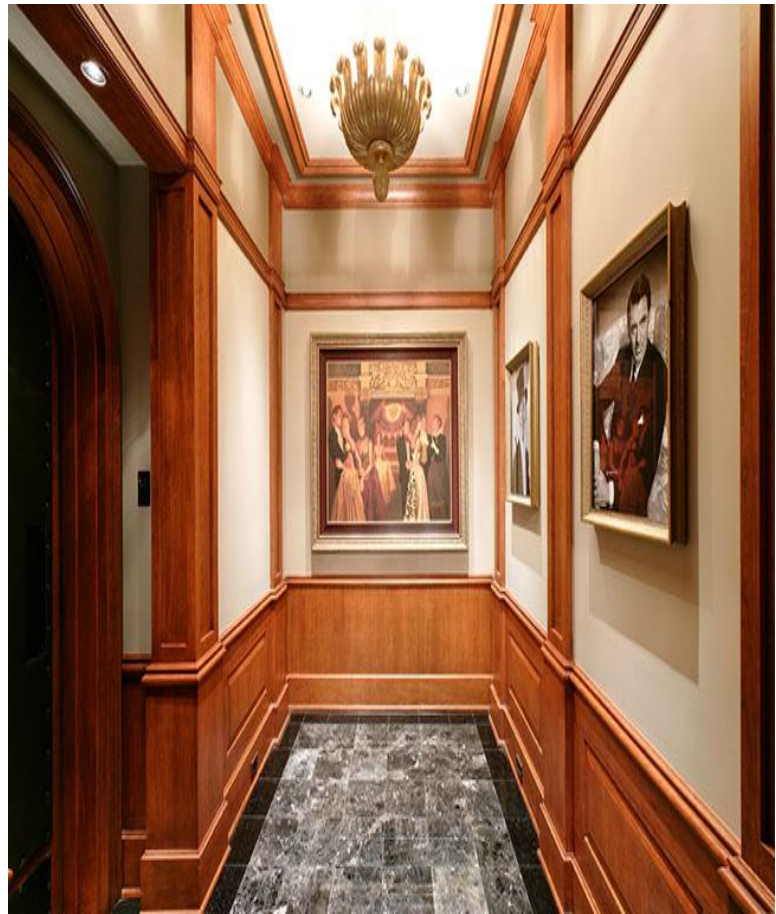


Table of Contents



Species Key 1

S4S Schedule 1

Crown Moldings

Patterns 2

Braided Rope 11

Beveled Crowns 12

Cove Moldings 14

Flat Crowns 17

Base & Case

Stock Base and Case 18

Stepped Base & Case 26

Fluted Case 28

Symmetrical Case 29

Base Caps 30

Chair Rail, Panel Molds, Corners and Other Profiles

Chair Rail 32

Plant-ons and Panel Molds 34

Corners 37

Scribe, Quarter Rounds and Half Rounds 38

Bed Molds, Nosings and Cornice 39

Door Stops and Jambs 40

Bar Rails 42

Tongue and Groove 43

Dentil Mold 47

Stair Parts

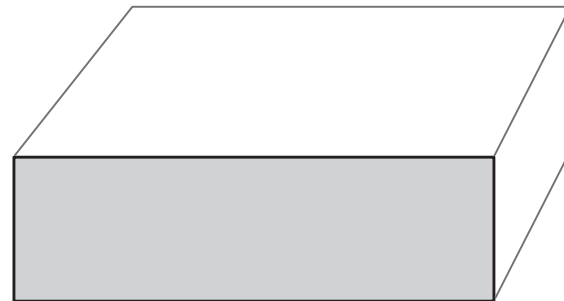
Handrail	51
Nosings, Fillet and Trims	54
Turned Balusters and Newels	56
Box Newels and Caps	58
Iron Balusters and shoes	60
Handrail Fittings	62
Treads and Risers	64
Rosettes and Accessories	65

SPECIES KEY

CA	Clear Alder
CH	Cherry
HM	Hard Maple
HK	Hickory
KA	Knotty Alder
KC	Knotty Cherry
KM	Knotty Maple
MGF	Mixed Grain Fir
PO	Poplar
RO	Red Oak
RH	Rustic Hickory
RW	Rustic Walnut
SM	Soft Maple
VGf	Vertical Grain Fir
WA	Walnut
WO	White Oak

Notes:

1. Inventory changes daily. Please call, to verify our current stock.
2. * = Item is discontinued and limited to stock on hand.
3. All profiles are drawn "Full Scale"
4. All non-stock items are made to order.

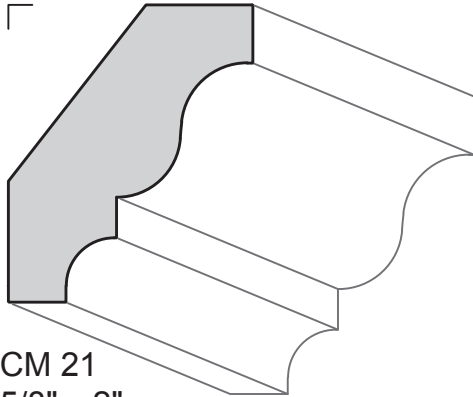


S4S (Surfaced-4-Sides)

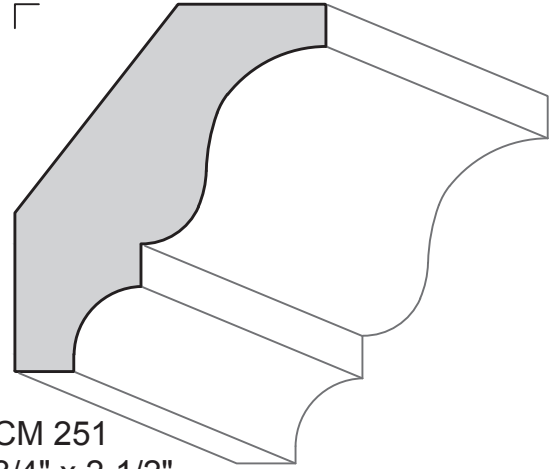
S4S SCHEDULE

<input type="radio"/> STOCKED ITEMS													
		Clear Alder	Cherry	Hard Maple	Hickory	Knotty Alder	Knotty Cherry	Poplar	Red Oak	Rustic Walnut	Soft Maple	Walnut	White Oak
	NET SIZE	CA	CH	HM	HK	KA	KC	PO	RO	RW	SM	WA	WO
1 x 2	3/4" x 1-1/2"	<input type="radio"/>	<input type="radio"/>	<input type="radio"/>	<input type="radio"/>	<input type="radio"/>	<input type="radio"/>	<input type="radio"/>	<input type="radio"/>	<input type="radio"/>	<input type="radio"/>	<input type="radio"/>	<input type="radio"/>
1 x 3	3/4" x 2-1/2"	<input type="radio"/>	<input type="radio"/>	<input type="radio"/>	<input type="radio"/>	<input type="radio"/>	<input type="radio"/>	<input type="radio"/>	<input type="radio"/>	<input type="radio"/>			
1 x 4	3/4" x 3-1/2"	<input type="radio"/>	<input type="radio"/>	<input type="radio"/>	<input type="radio"/>	<input type="radio"/>	<input type="radio"/>	<input type="radio"/>	<input type="radio"/>	<input type="radio"/>	<input type="radio"/>	<input type="radio"/>	<input type="radio"/>
1 x 5	3/4" x 4-1/2"	<input type="radio"/>	<input type="radio"/>	<input type="radio"/>		<input type="radio"/>	<input type="radio"/>	<input type="radio"/>	<input type="radio"/>				
1 x 6	3/4" x 5-1/2"	<input type="radio"/>	<input type="radio"/>	<input type="radio"/>	<input type="radio"/>	<input type="radio"/>	<input type="radio"/>	<input type="radio"/>	<input type="radio"/>	<input type="radio"/>	<input type="radio"/>	<input type="radio"/>	<input type="radio"/>
1 x 8	3/4" x 7-1/4"	<input type="radio"/>	<input type="radio"/>	<input type="radio"/>	<input type="radio"/>	<input type="radio"/>	<input type="radio"/>	<input type="radio"/>	<input type="radio"/>			<input type="radio"/>	<input type="radio"/>
1 x 10	3/4" x 9-1/4"	<input type="radio"/>		<input type="radio"/>		<input type="radio"/>	<input type="radio"/>	<input type="radio"/>	<input type="radio"/>				
1 x 12	3/4" x 11-1/4"	<input type="radio"/>	<input type="radio"/>	<input type="radio"/>	<input type="radio"/>	<input type="radio"/>	<input type="radio"/>	<input type="radio"/>	<input type="radio"/>		<input type="radio"/>		<input type="radio"/>
Risers	3/4" x 8"	<input type="radio"/>			<input type="radio"/>	<input type="radio"/>	<input type="radio"/>	<input type="radio"/>	<input type="radio"/>		<input type="radio"/>		
2.5 S4S	1" x 2-1/2"					<input type="radio"/>		<input type="radio"/>					
6 Shoe	1" x 6"	<input type="radio"/>			<input type="radio"/>	<input type="radio"/>	<input type="radio"/>	<input type="radio"/>	<input type="radio"/>		<input type="radio"/>		<input type="radio"/>
8 Shoe	1" x 8"	<input type="radio"/>				<input type="radio"/>		<input type="radio"/>	<input type="radio"/>		<input type="radio"/>		<input type="radio"/>
Blocking	1-1/4" x 1-1/4"							<input type="radio"/>					
Fillet 02	3/8" x 1-1/4"	<input type="radio"/>	<input type="radio"/>		<input type="radio"/>				<input type="radio"/>		<input type="radio"/>	<input type="radio"/>	<input type="radio"/>
Fillet 01	3/8" x 1-3/4"	<input type="radio"/>	<input type="radio"/>		<input type="radio"/>				<input type="radio"/>		<input type="radio"/>	<input type="radio"/>	<input type="radio"/>

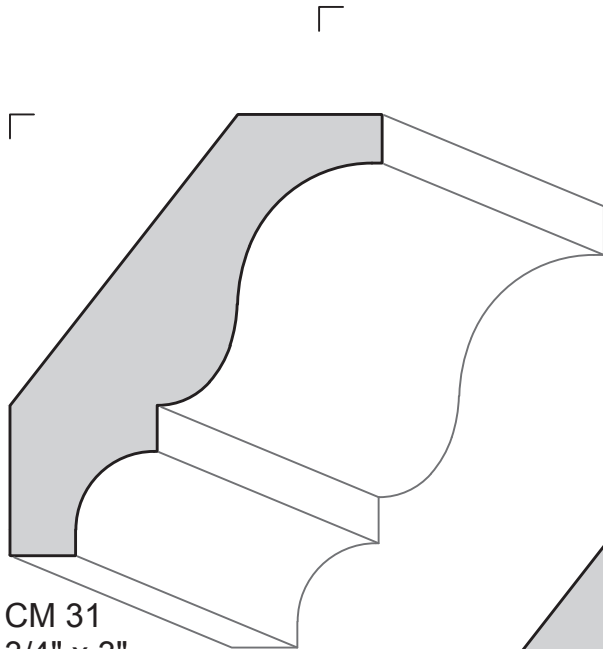
CROWN PATTERN #1



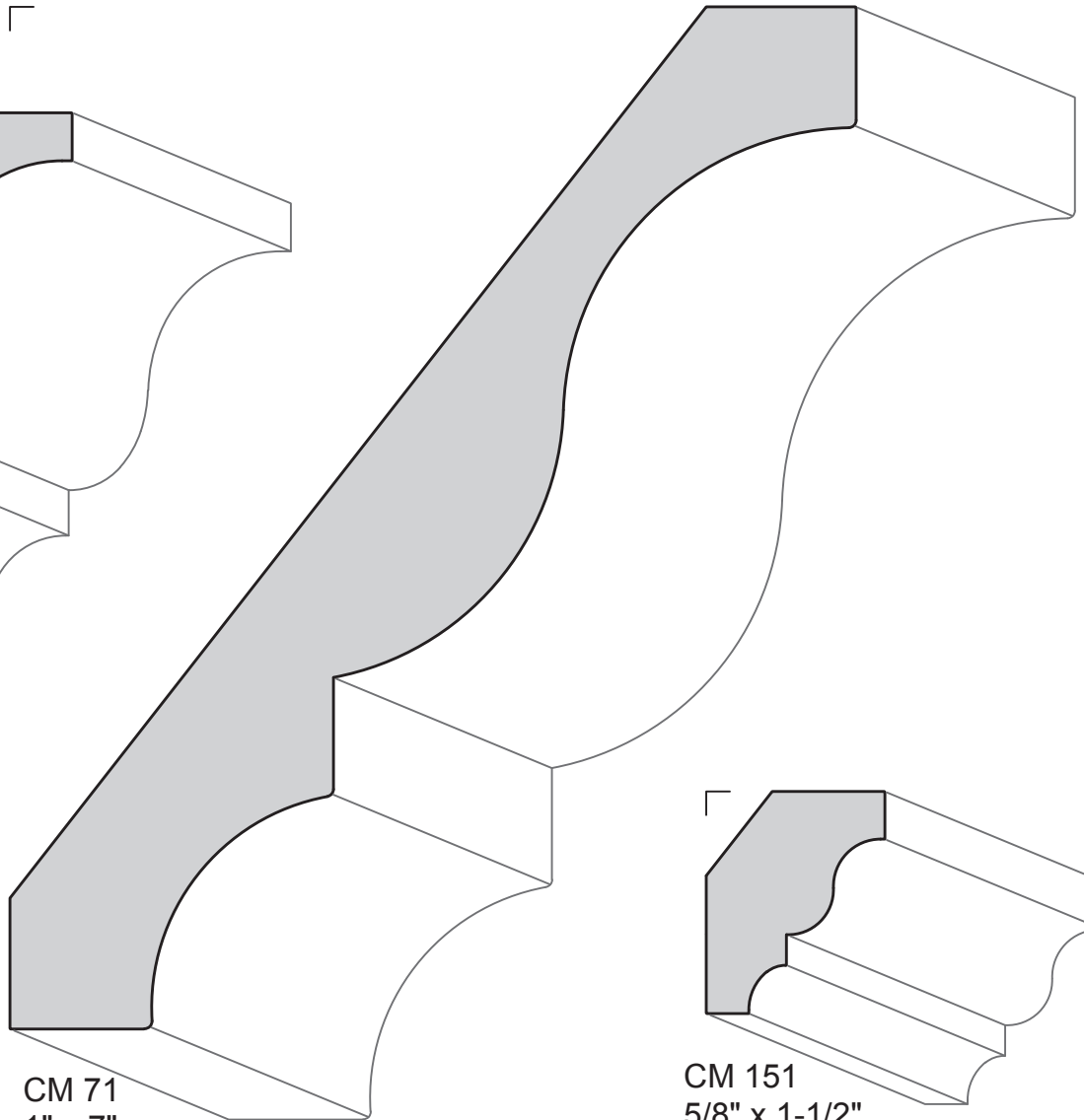
CM 21
5/8" x 2"
CA, CH*, HM, KA, PO, RO



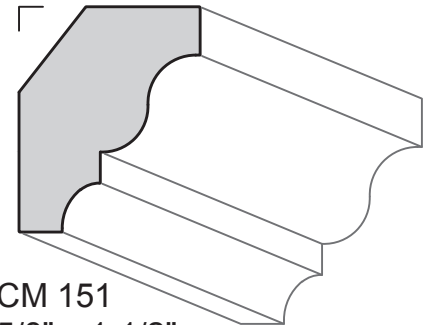
CM 251
3/4" x 2-1/2"
CA, KA, KC*, PO



CM 31
3/4" x 3"
CA, CH, HM, HK, KA,
KC, KM, PO, RO, RW,
WA, WO, Gumwood*

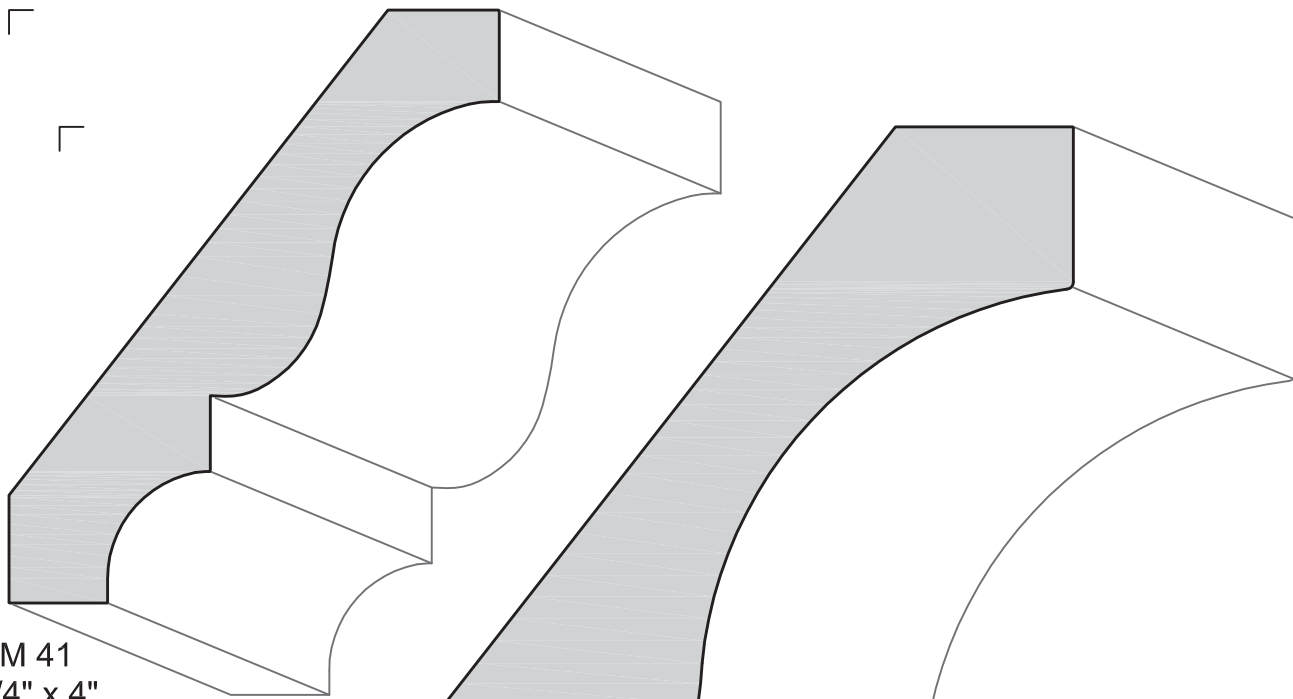


CM 71
1" x 7"
CA, KA, PO



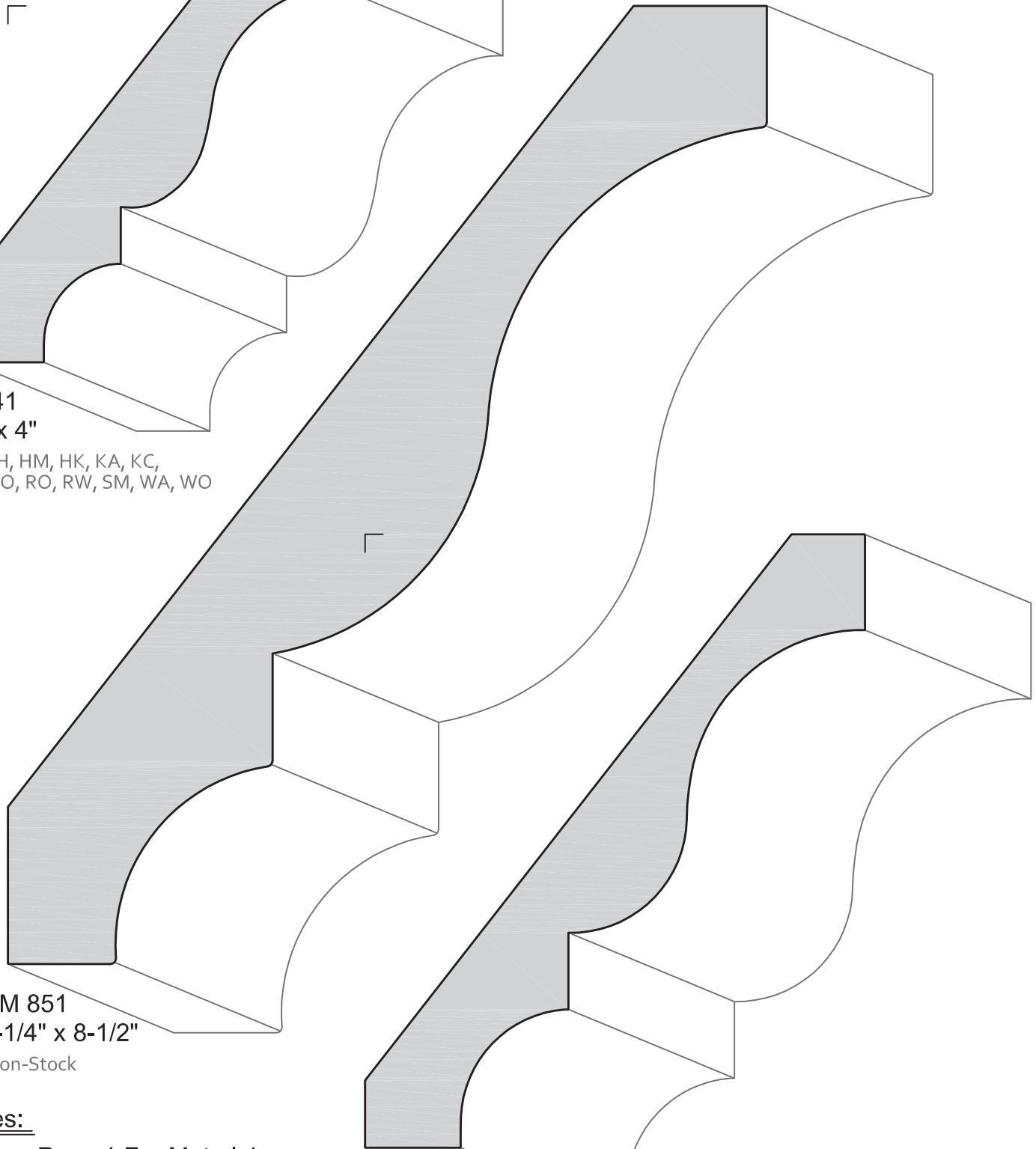
CM 151
5/8" x 1-1/2"
CA, CH*, PO

CROWN PATTERN #1



CM 41
3/4" x 4"

CA, CH, HM, HK, KA, KC,
KM, PO, RO, RW, SM, WA, WO



CM 851
1-1/4" x 8-1/2"

Non-Stock

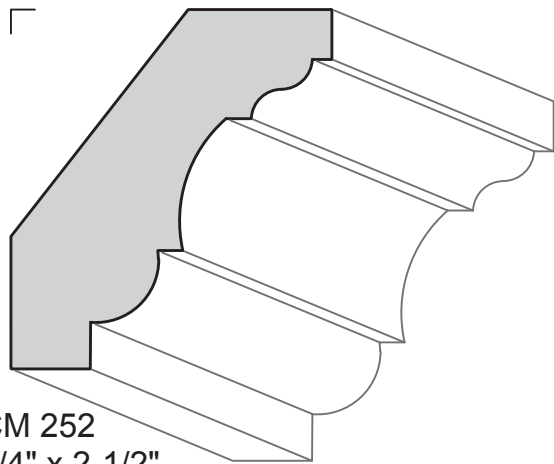
Notes:

1. See Page 1 For Material Species Key.
2. * = Discontinued, Limited To Stock On Hand.

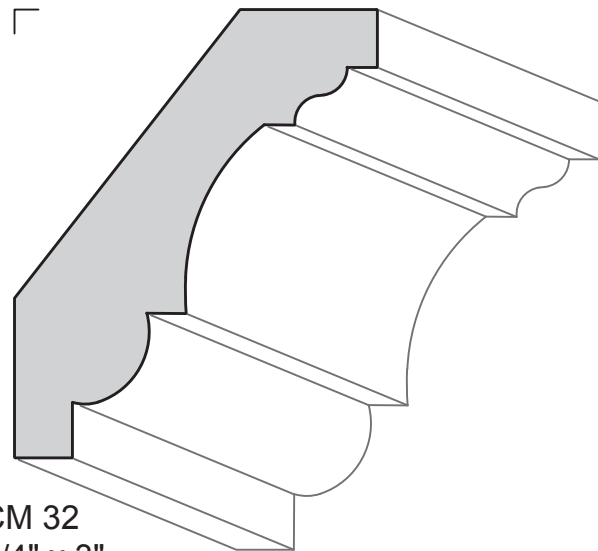
CM 551
13/16" x 5-1/2"

CA, CH, HM, KA, KC, PO, RO

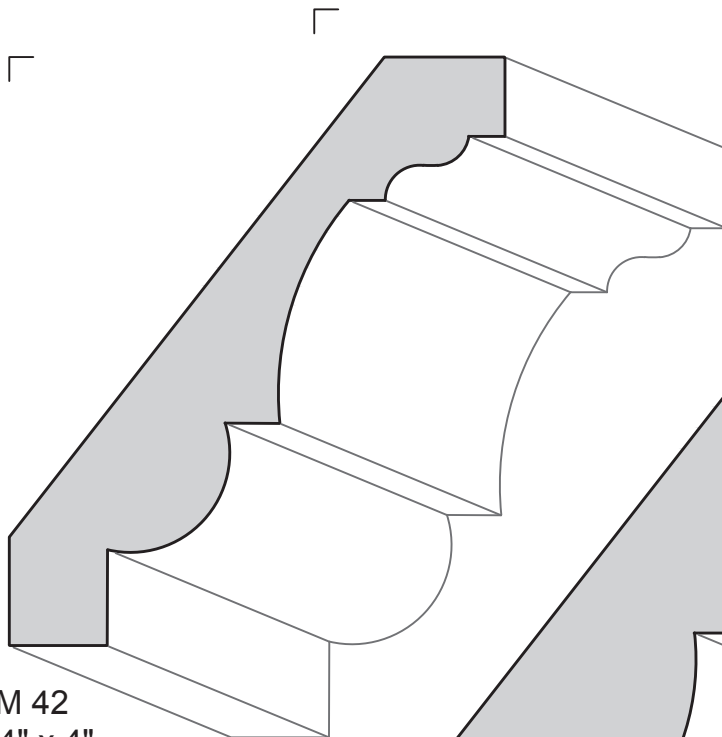
CROWN PATTERN #2



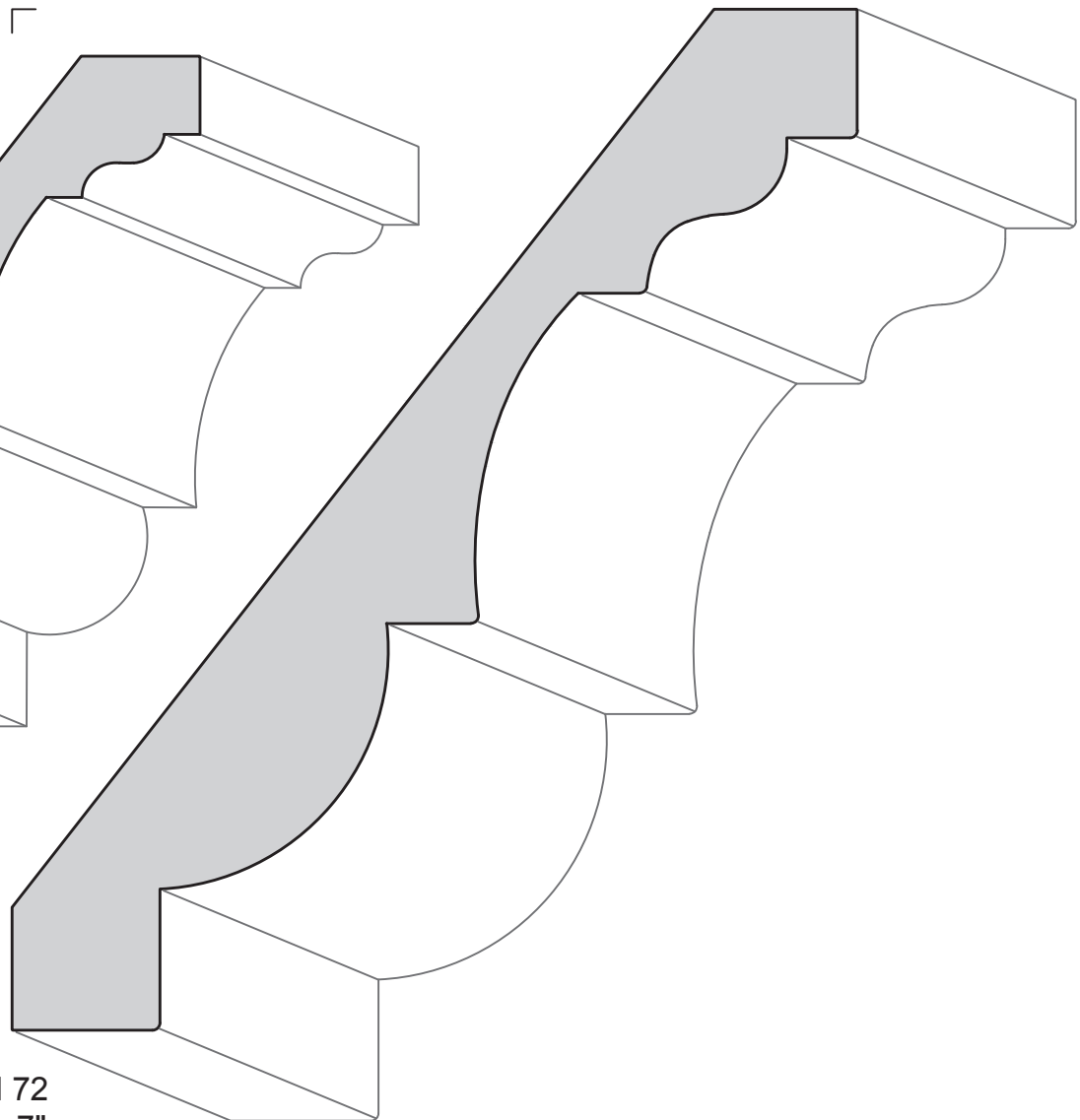
CM 252
3/4" x 2-1/2"
Non-Stock



CM 32
3/4" x 3"
PO, RO*



CM 42
3/4" x 4"
CA, PO, RO*



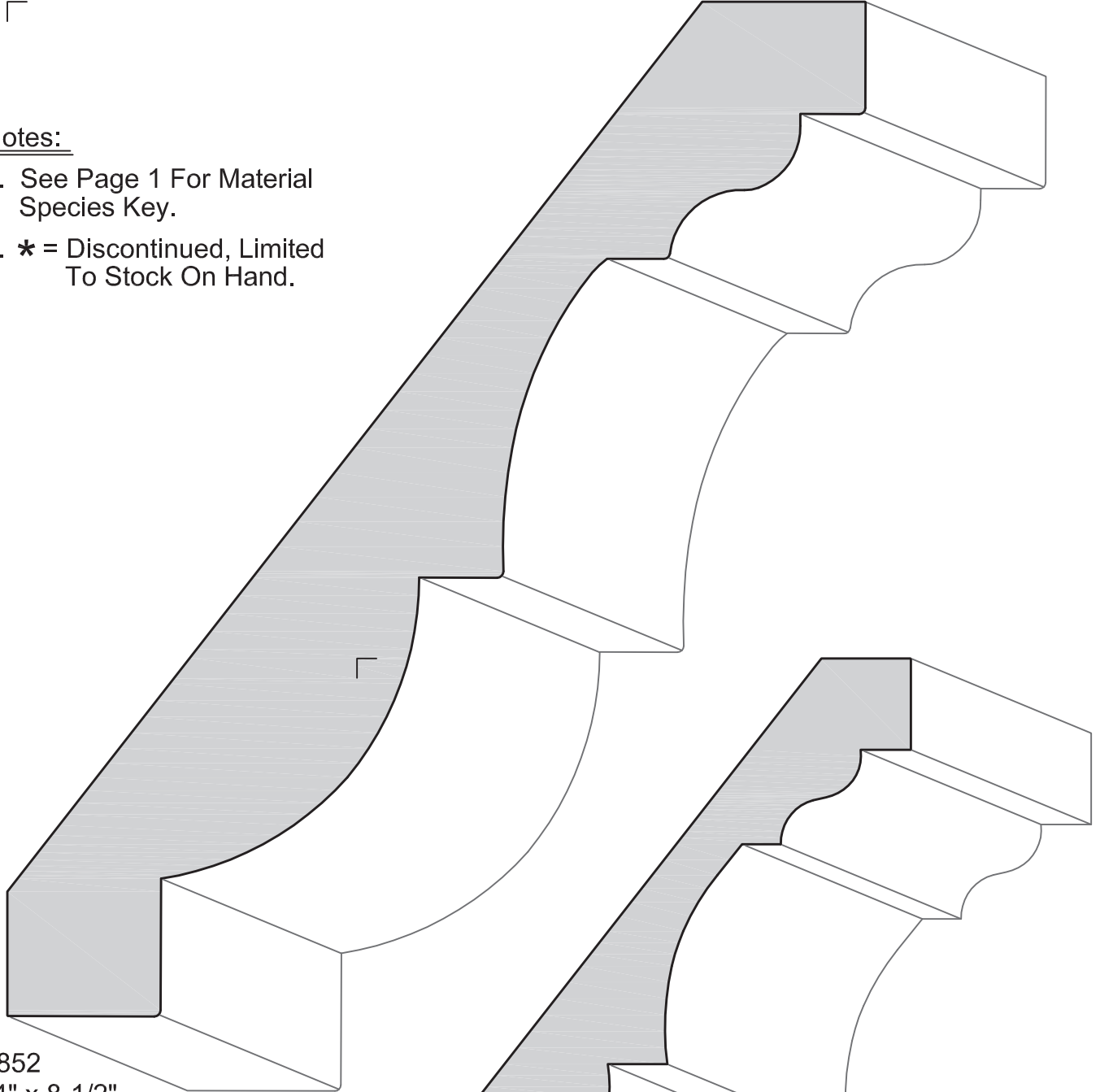
CM 72
1" x 7"
Non-Stock

CROWN PATTERN #2



Notes:

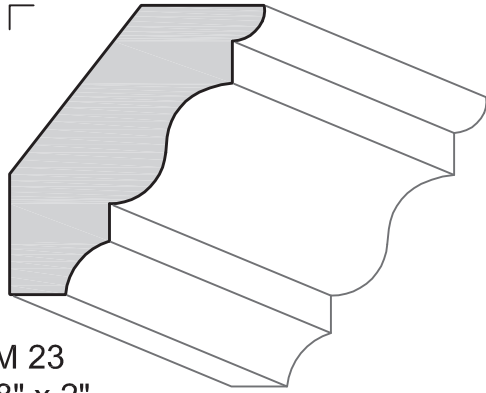
1. See Page 1 For Material Species Key.
2. * = Discontinued, Limited To Stock On Hand.



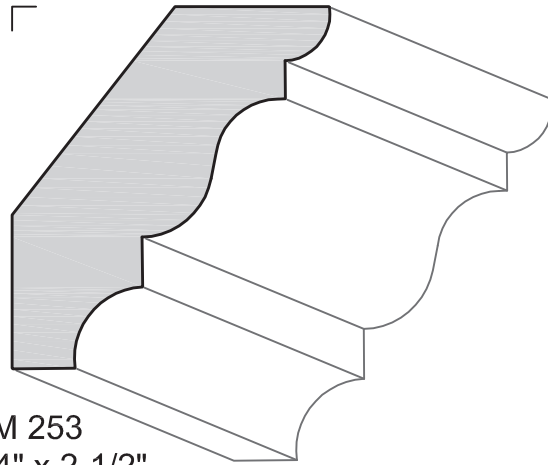
CM 852
1-1/4" x 8-1/2"
Non-Stock

CM 552
13/16" x 5-7/16"
KA, PO, RO*

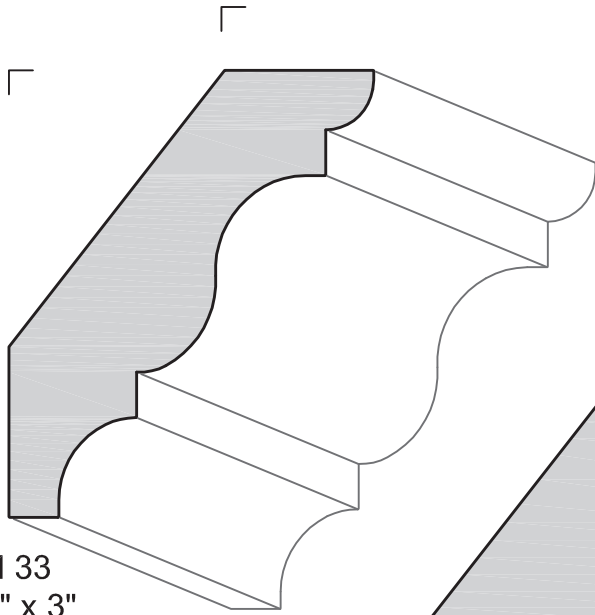
CROWN PATTERNS #3



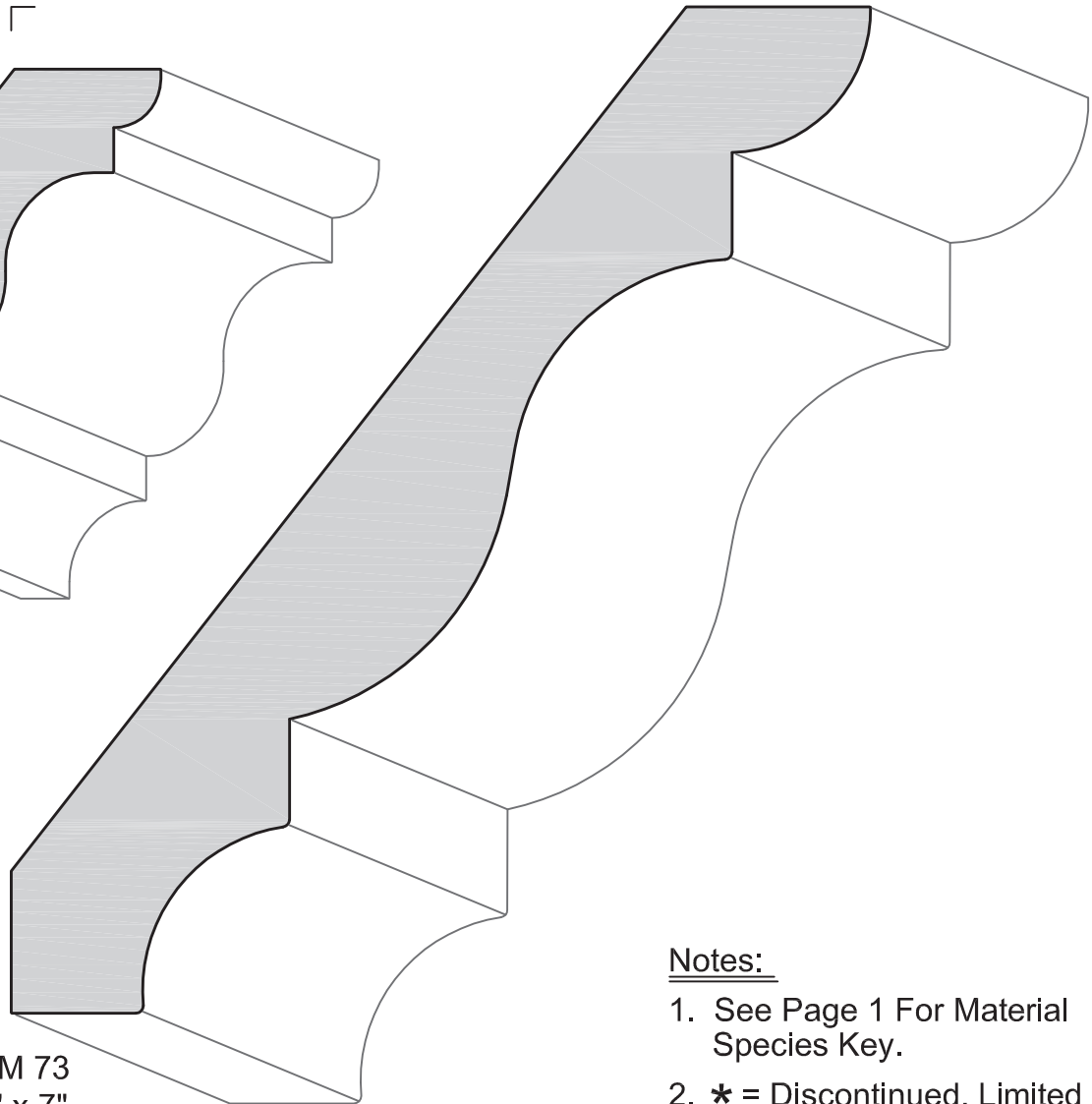
CM 23
5/8" x 2"
Non-Stock



CM 253
3/4" x 2-1/2"
Non-Stock



CM 33
3/4" x 3"
PO



CM 73
1" x 7"
Non-Stock

Notes:

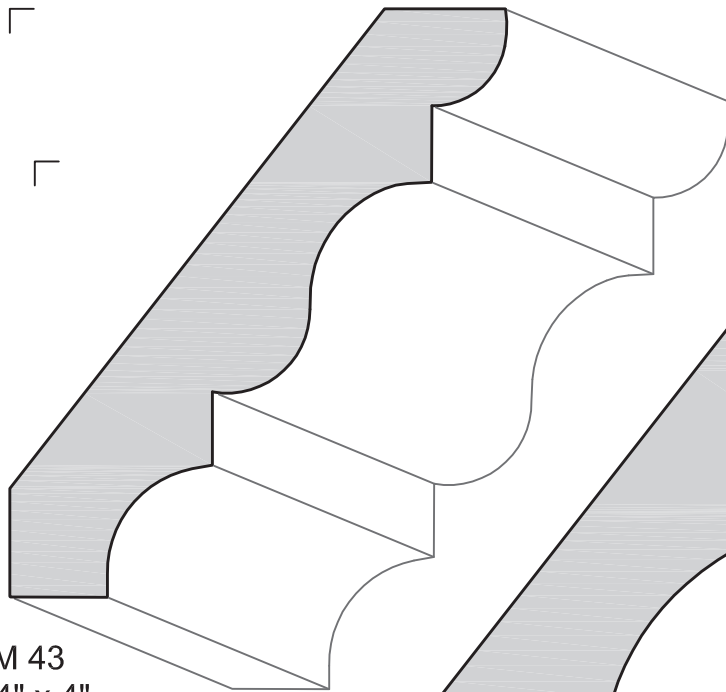
1. See Page 1 For Material Species Key.
2. * = Discontinued, Limited To Stock On Hand.

CROWN PATTERN #3

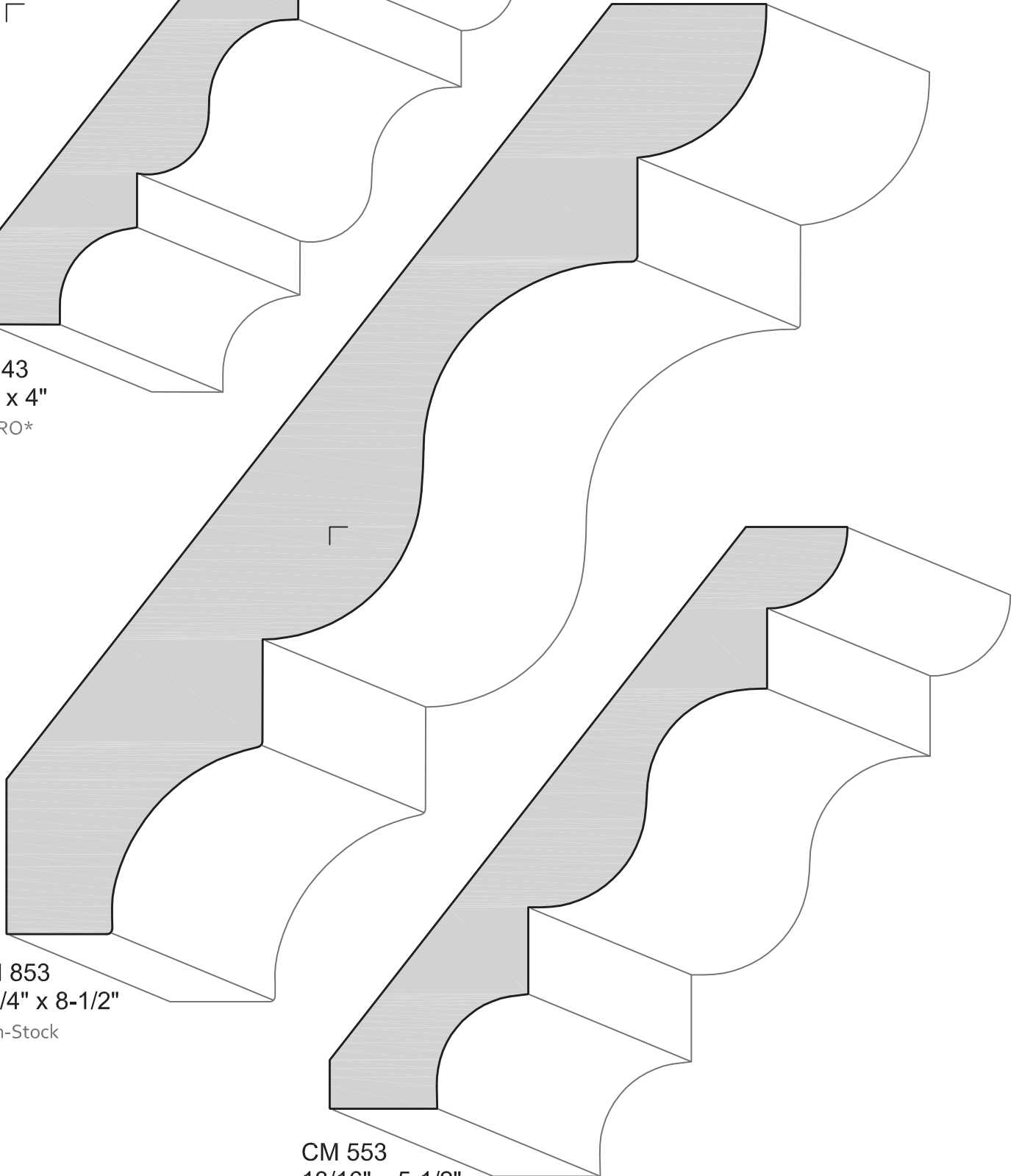


Notes:

1. See Page 1 For Material Species Key.
2. * = Discontinued, Limited To Stock On Hand.

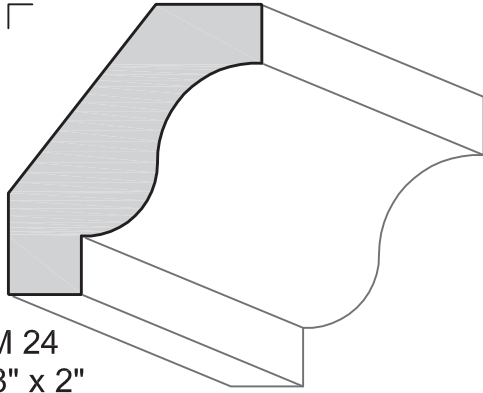


CM 43
3/4" x 4"
PO, RO*

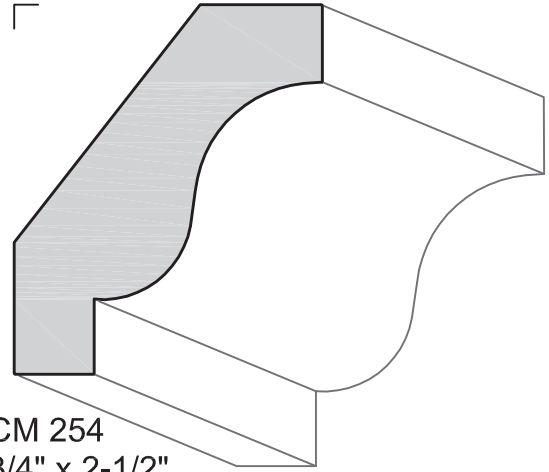


CM 853
1-1/4" x 8-1/2"
Non-Stock

CM 553
13/16" x 5-1/2"
PO



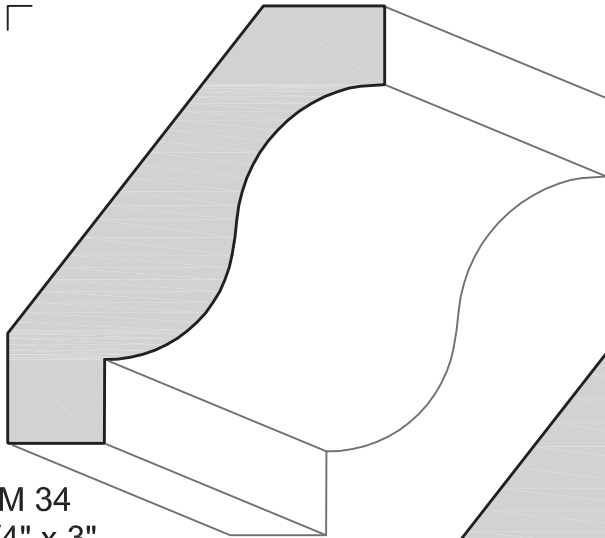
CM 24
5/8" x 2"
Non-Stock



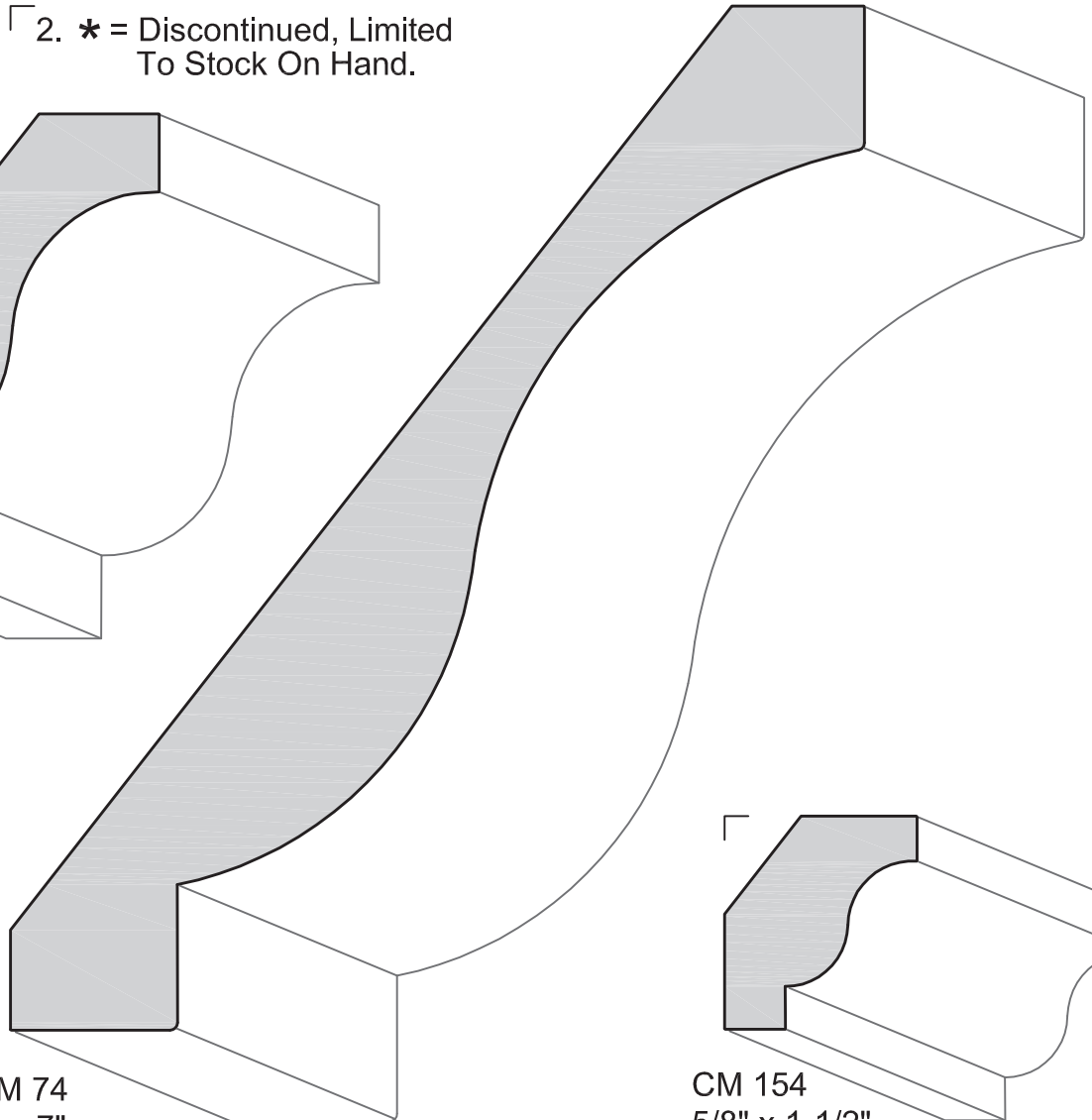
CM 254
3/4" x 2-1/2"
Non-Stock

Notes:

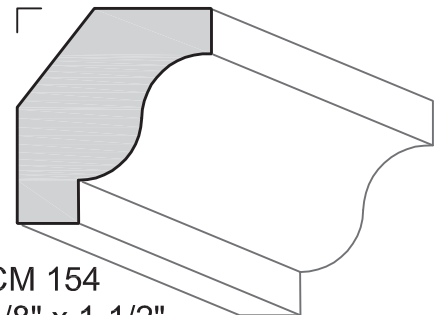
1. See Page 1 For Material Species Key.
2. * = Discontinued, Limited To Stock On Hand.



CM 34
3/4" x 3"
PO

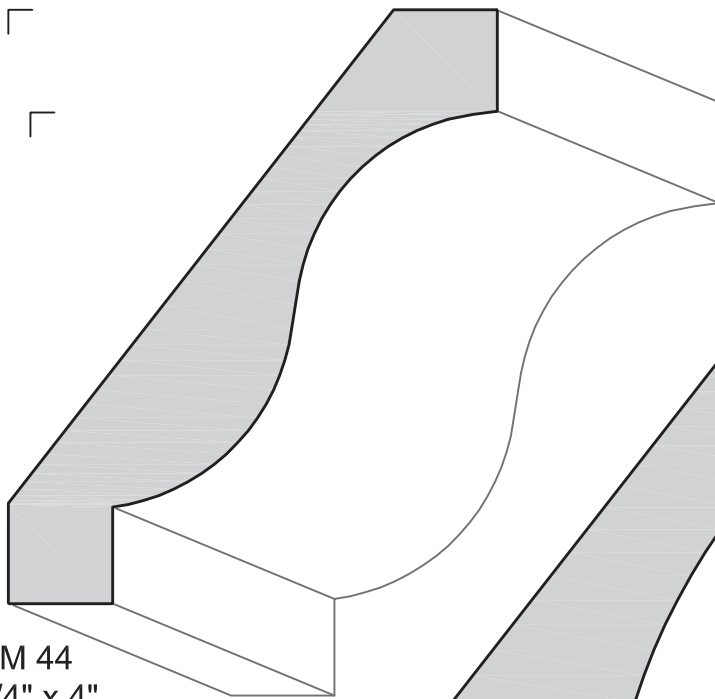


CM 74
1" x 7"
Non-Stock

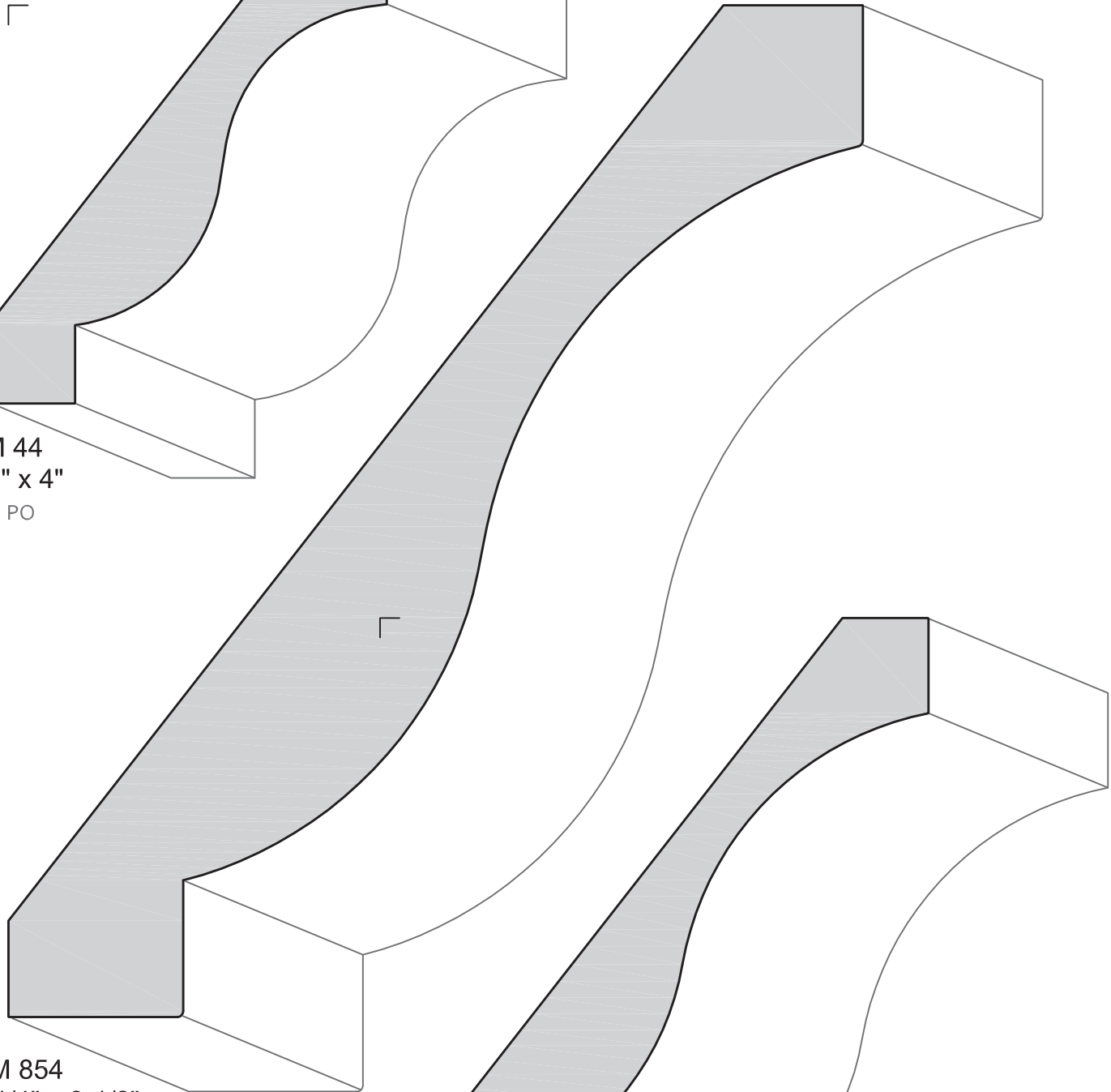


CM 154
5/8" x 1-1/2"
Non-Stock

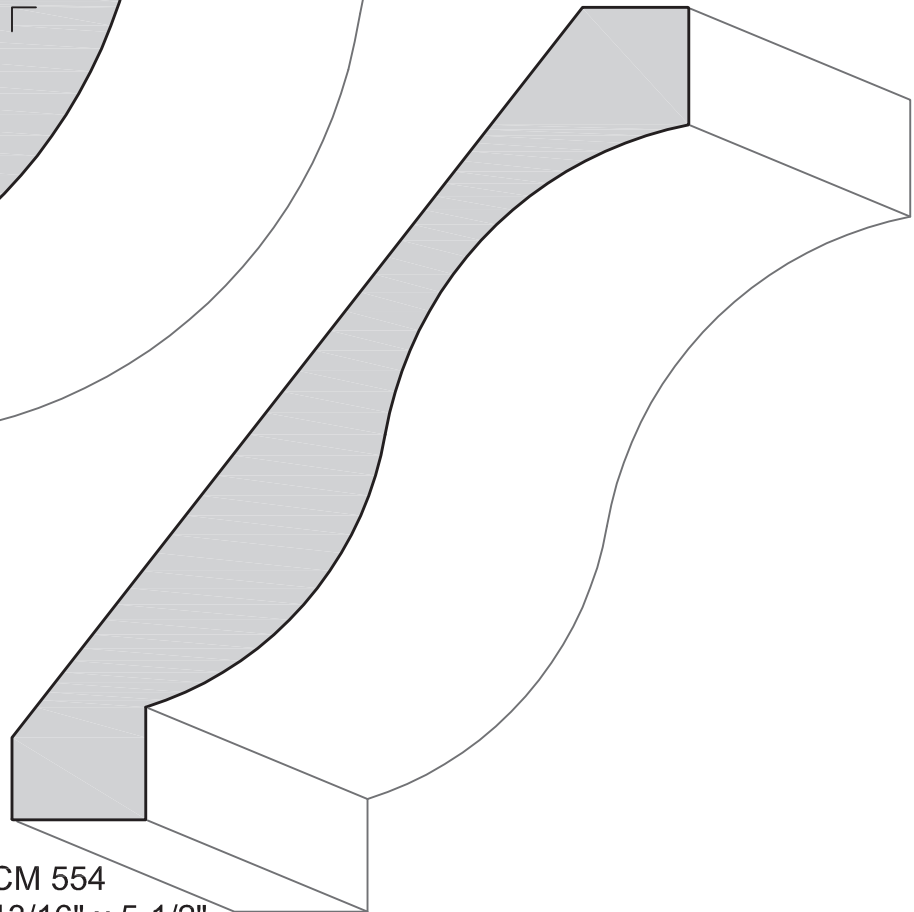
CROWN PATTERN #4



CM 44
3/4" x 4"
KA, PO



CM 854
1-1/4" x 8-1/2"
Non-Stock



CM 554
13/16" x 5-1/2"
CA, PO, RO*

Notes:

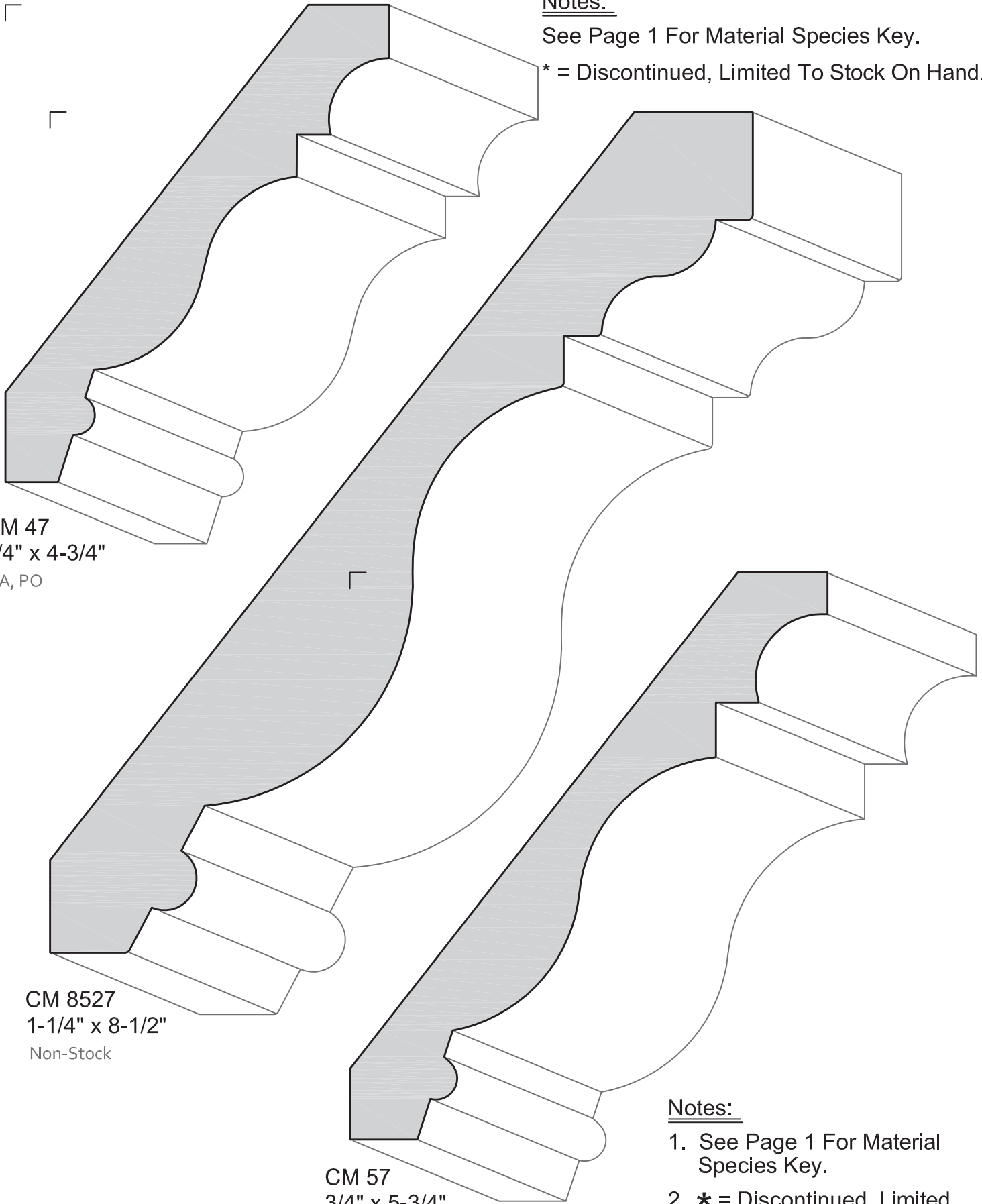
1. See Page 1 For Material Species Key.
2. * = Discontinued, Limited To Stock On Hand.

CROWN PATTERN #7

Notes:

See Page 1 For Material Species Key.

* = Discontinued, Limited To Stock On Hand.



CM 47
3/4" x 4-3/4"
CA, PO

CM 8527
1-1/4" x 8-1/2"
Non-Stock

CM 57
3/4" x 5-3/4"
PO

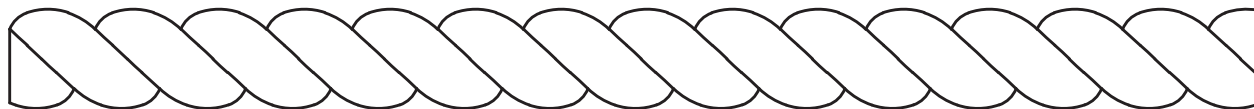
Notes:

1. See Page 1 For Material Species Key.
2. * = Discontinued, Limited To Stock On Hand.

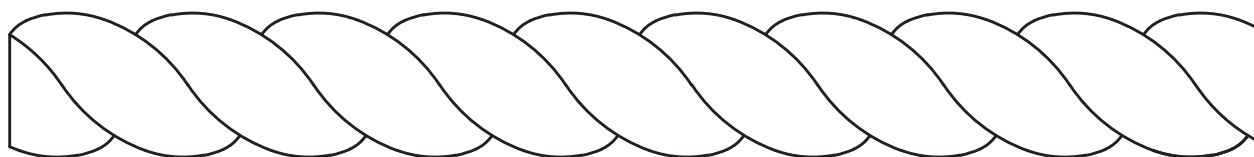
CROWNS & BRAIDED ROPE



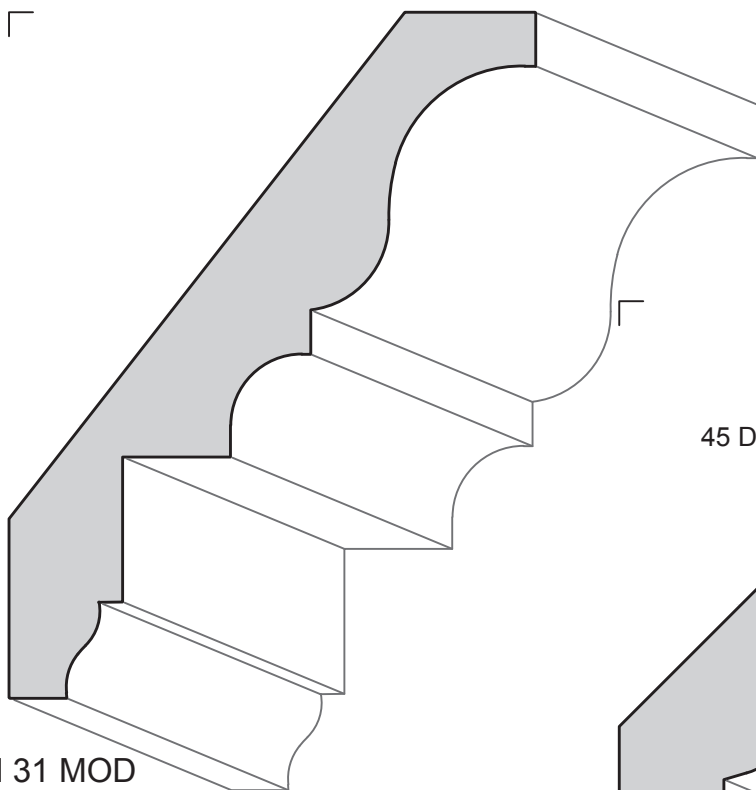
BR 38
1/8" x 3/8"
HM*, PO, RO*



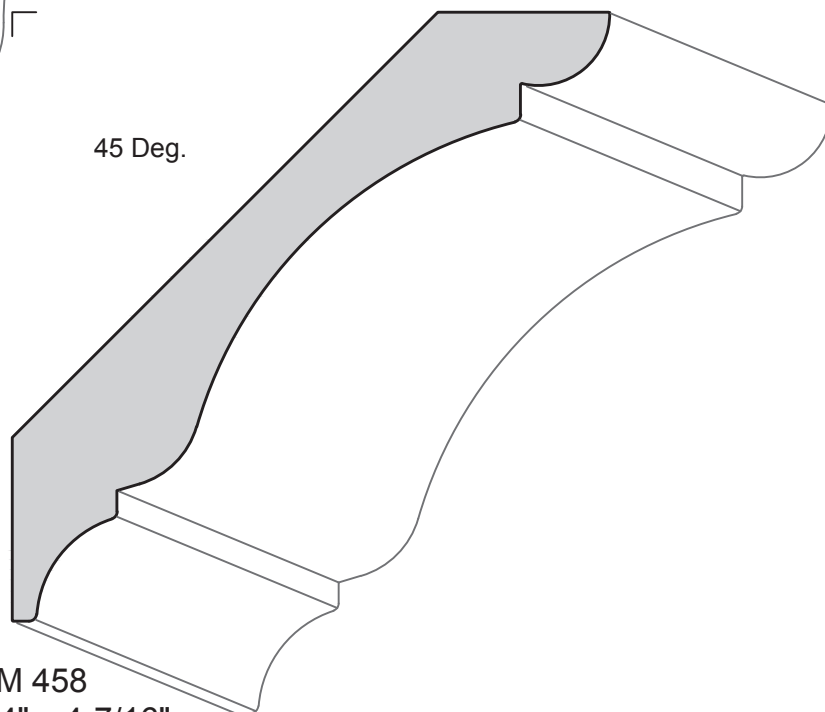
BR 12
3/16" x 1/2"
CA, CH, HM, PO



BR 34
5/16" x 3/4"
Non Stock

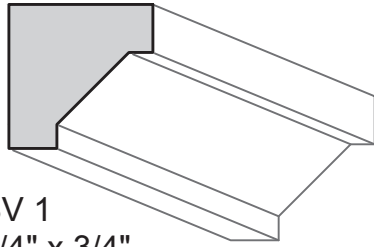


CM 31 MOD
13/16" x 4-1/2"
CA*, CH, KA, PO, RO*

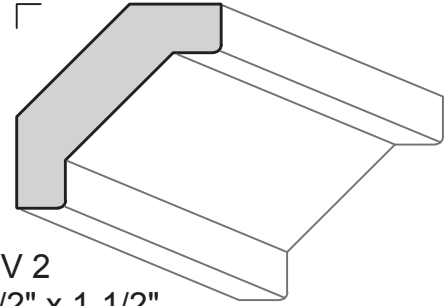


CM 458
3/4" x 4-7/16"
PO

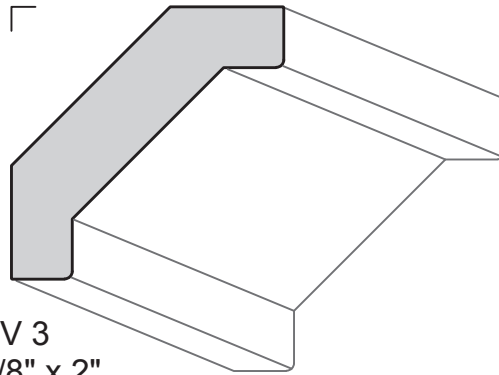
45° BEVELED CROWNS



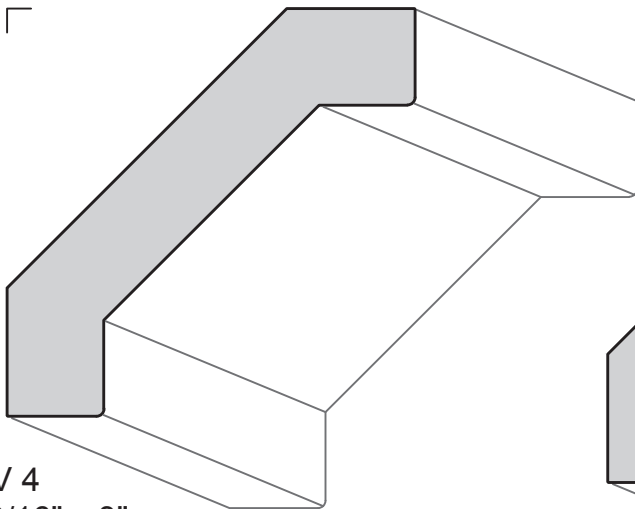
BV 1
3/4" x 3/4"
Non-Stock



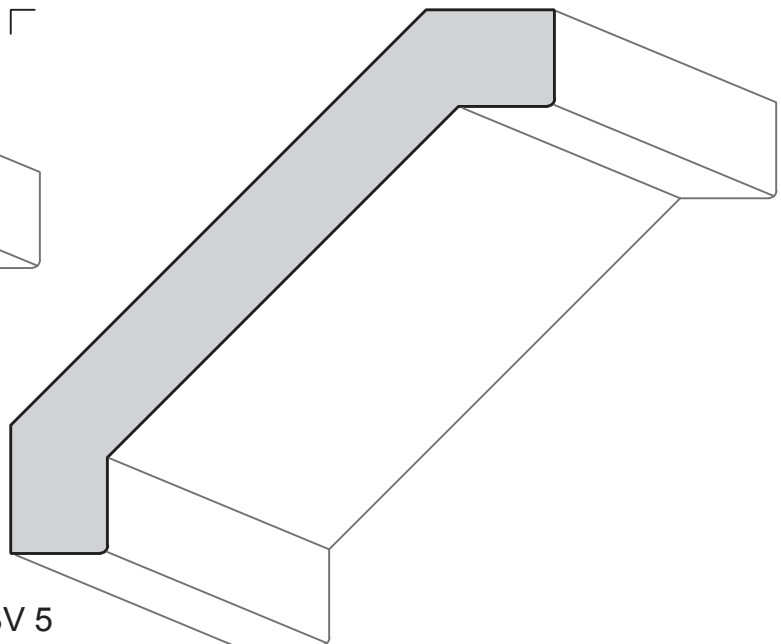
BV 2
1/2" x 1-1/2"
Non-Stock



BV 3
5/8" x 2"
Non-Stock

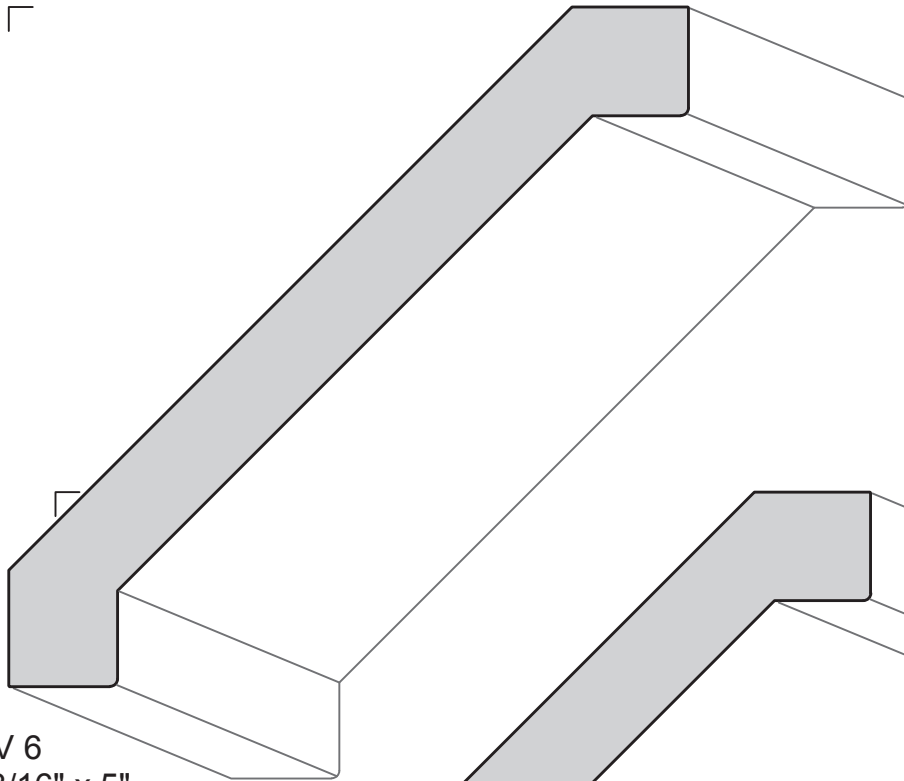


BV 4
13/16" x 3"
KA, PO

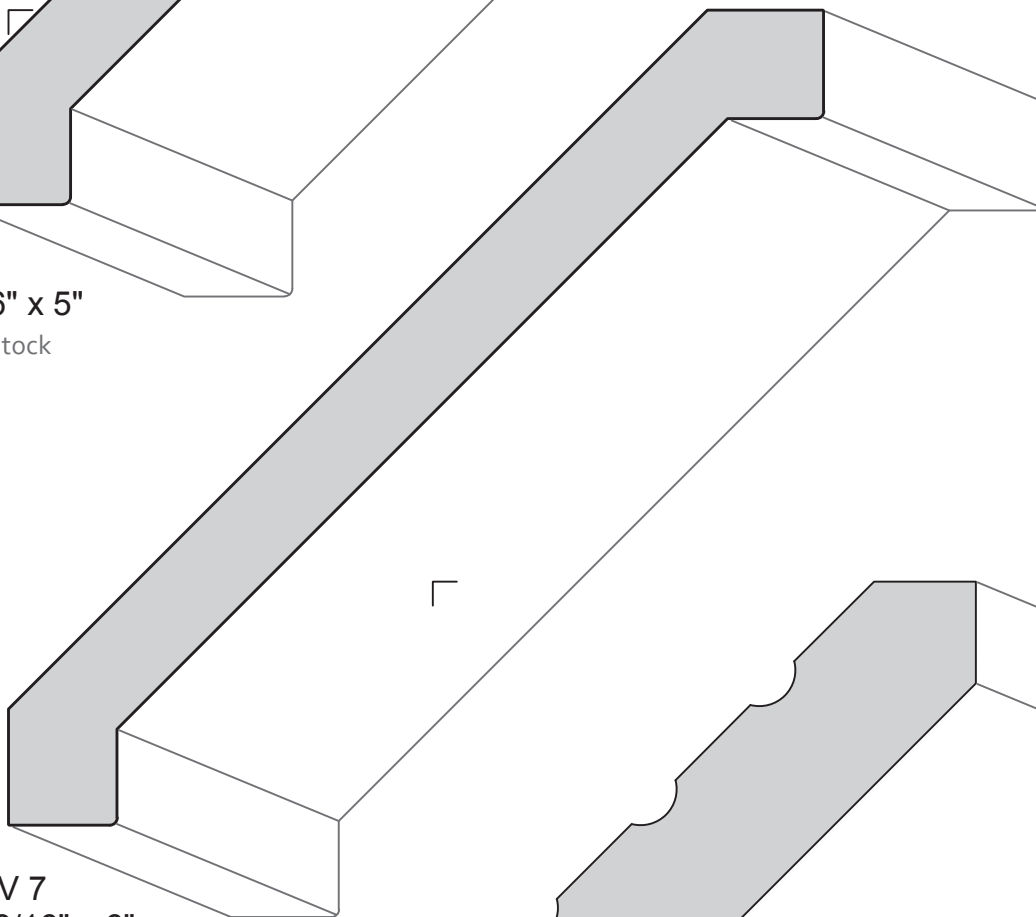


BV 5
13/16" x 4"
CA, KA, PO, WO

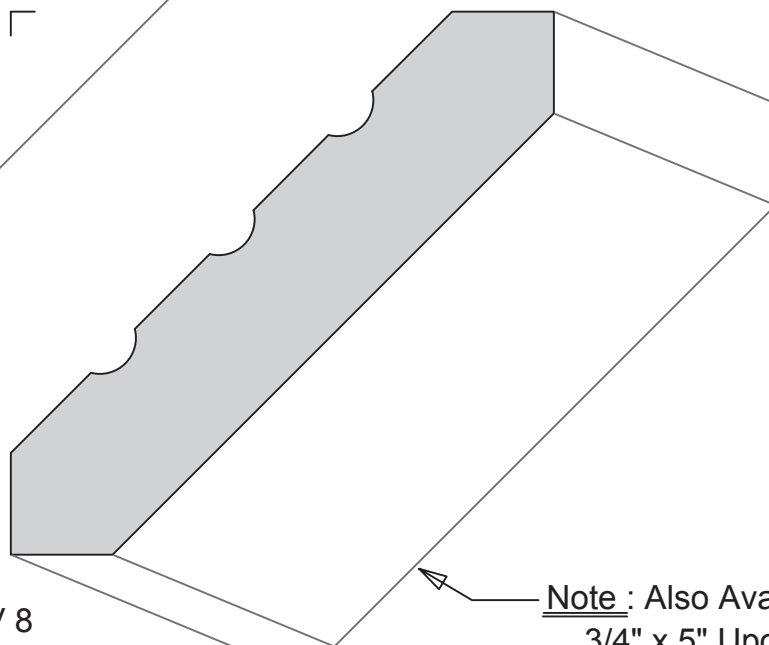
45° BEVELED CROWNS



BV 6
13/16" x 5"
Non-Stock



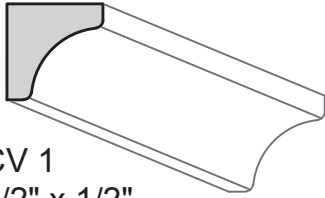
BV 7
13/16" x 6"
Non-Stock



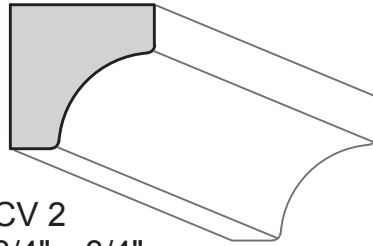
BV 8
3/4" x 4"
PO

Note : Also Available In
3/4" x 5" Upon Request
Check With Sales
Desk For Specifics.

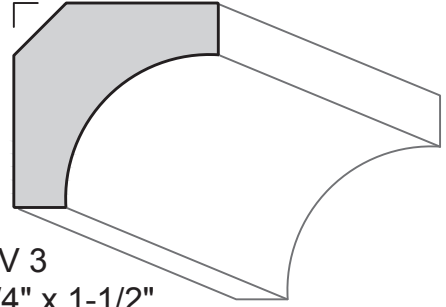
45° COVE MOLDINGS



CV 1
1/2" x 1/2"
CA, PO

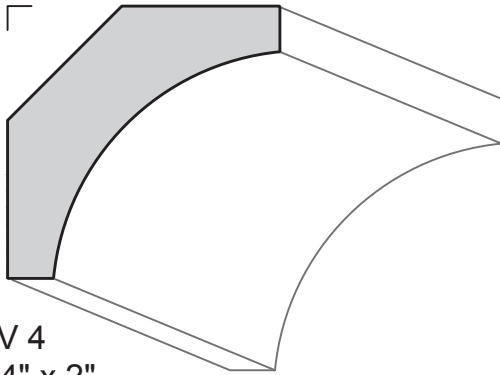


CV 2
3/4" x 3/4"
CA, PO

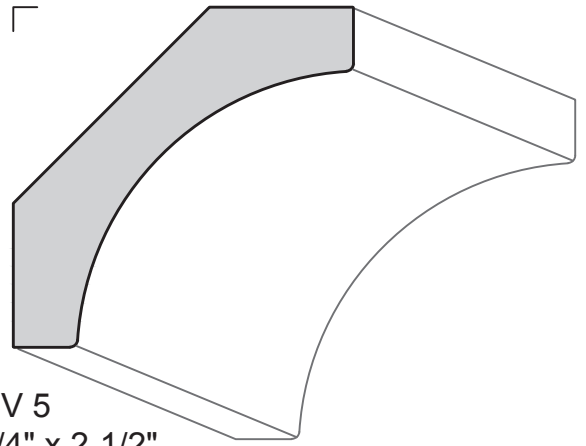


CV 3
3/4" x 1-1/2"
CA, PO

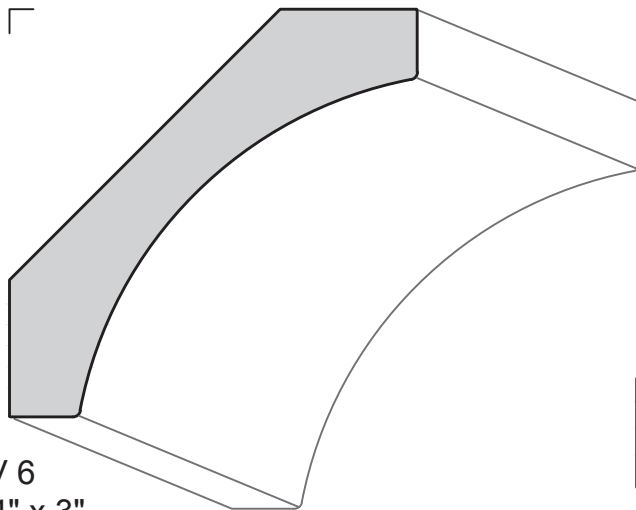
* Item is discontinued and limited to stock on hand.



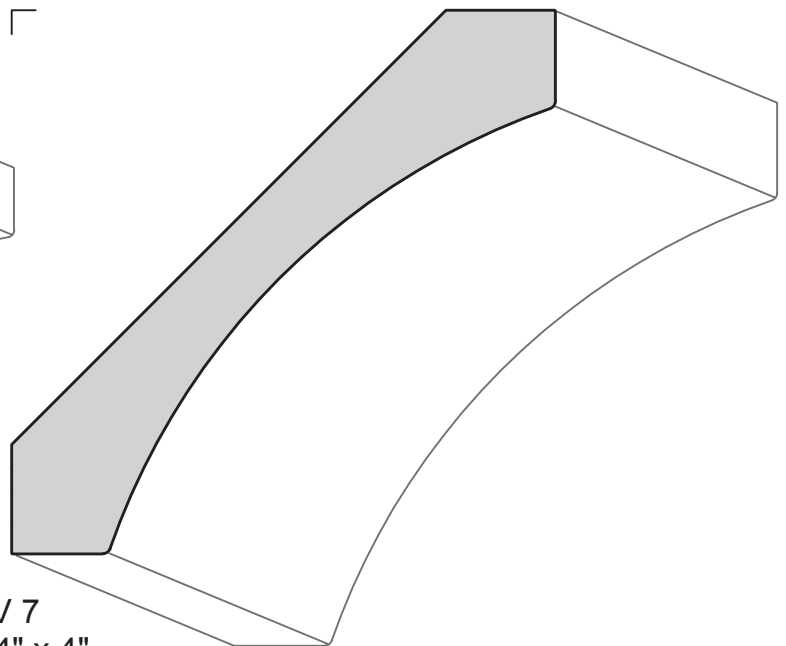
CV 4
3/4" x 2"
CA, PO, RO*



CV 5
3/4" x 2-1/2"
CA, KA, PO

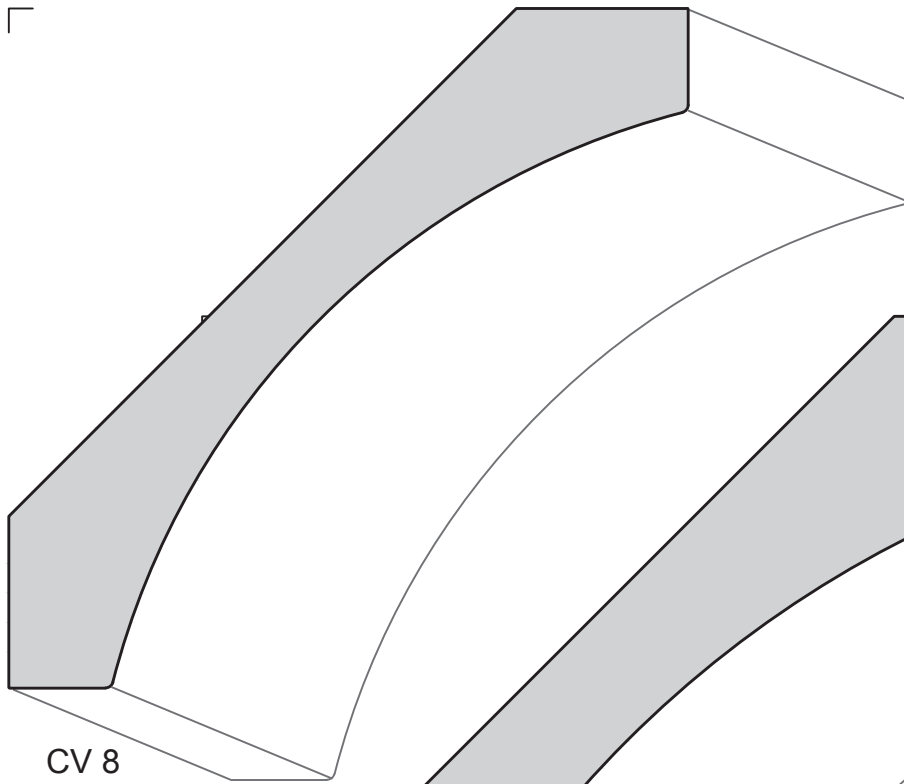


CV 6
3/4" x 3"
CA, CH, HM, KA, PO

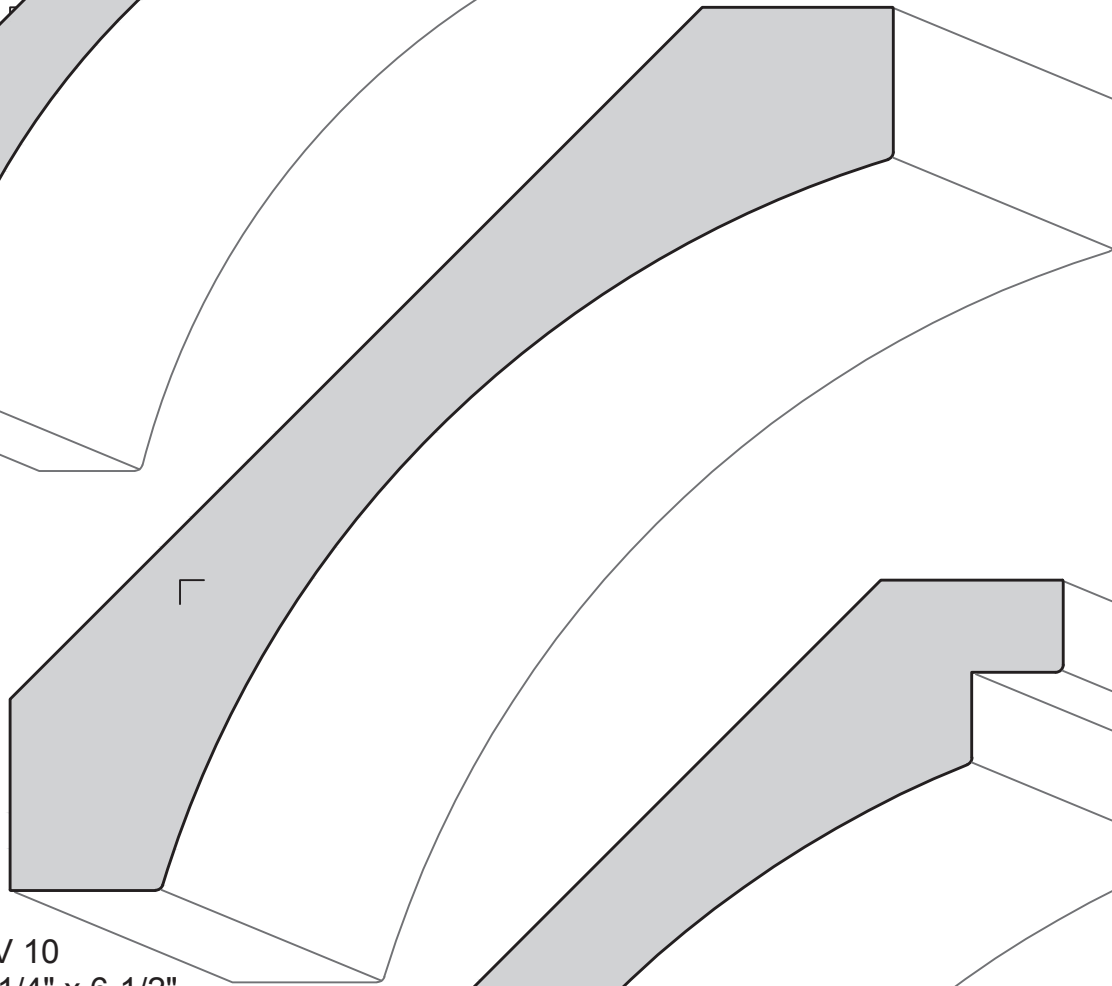


CV 7
3/4" x 4"
CA, CH, HM, HK, KA, KC, PO, RO, RW, SM, WA, WO

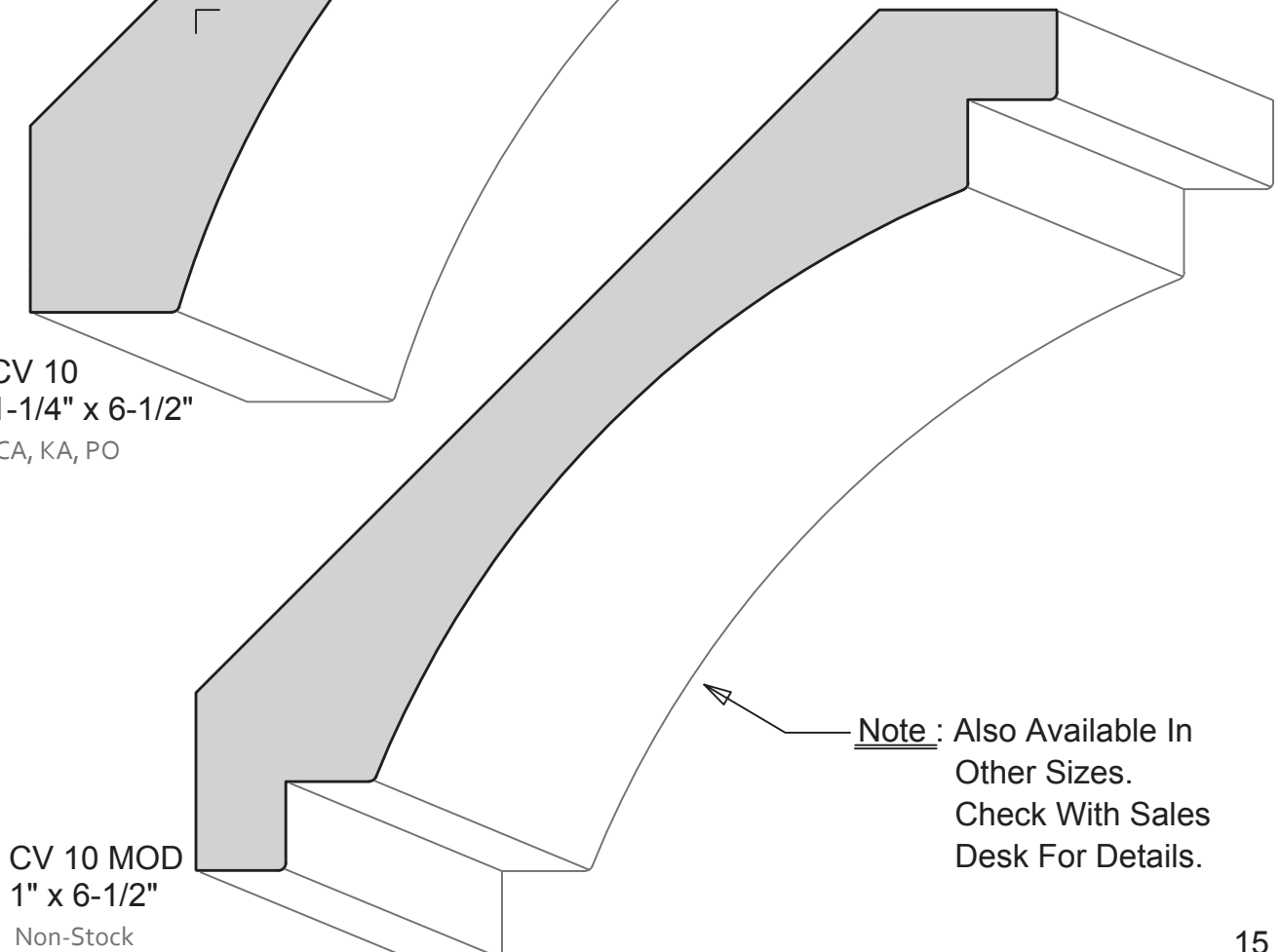
45° COVE MOLDINGS



CV 8
1" x 5"
CA, KA, PO



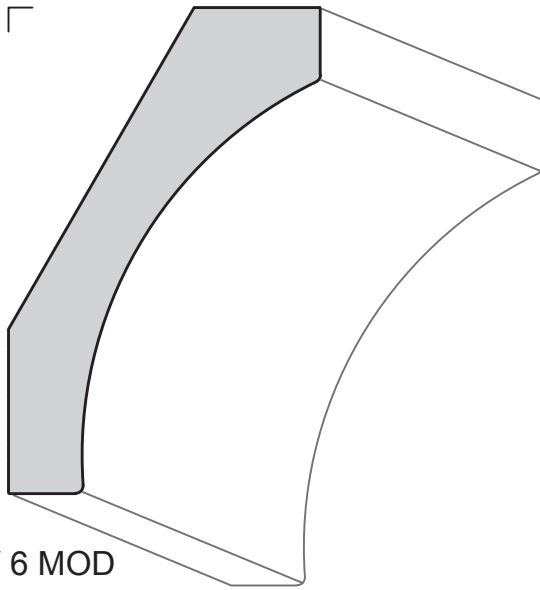
CV 10
1-1/4" x 6-1/2"
CA, KA, PO



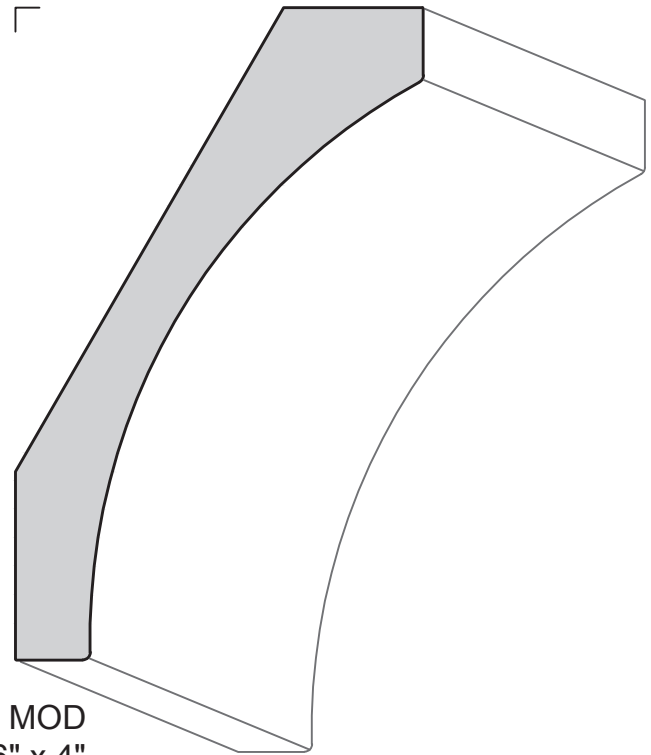
CV 10 MOD
1" x 6-1/2"
Non-Stock

Note : Also Available In
Other Sizes.
Check With Sales
Desk For Details.

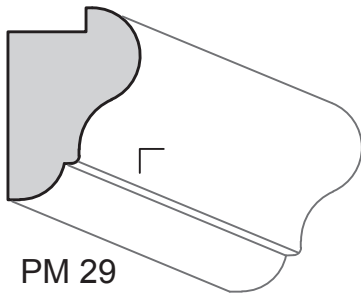
30° COVE MOLDINGS



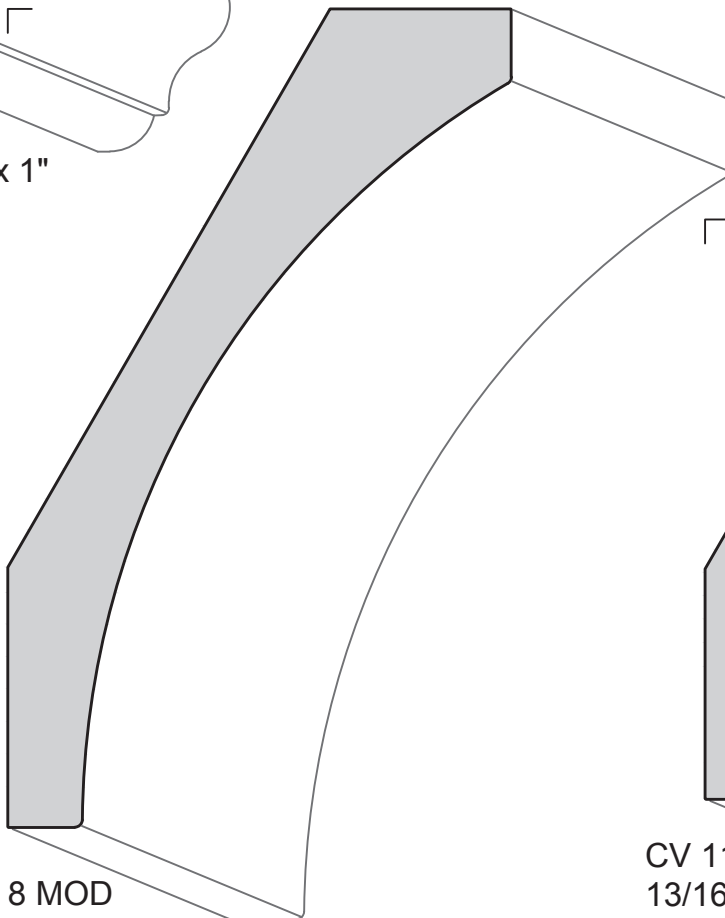
CV 6 MOD
3/4" x 3"
CA, PO



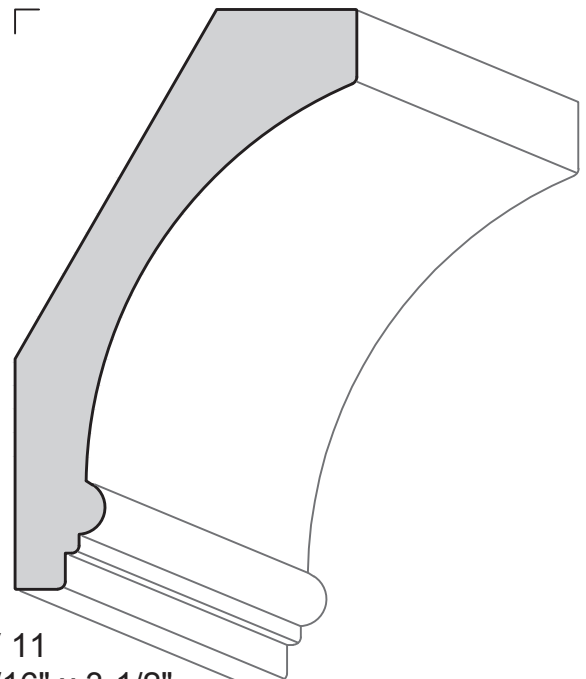
CV 7 MOD
13/16" x 4"
CA, KA, PO



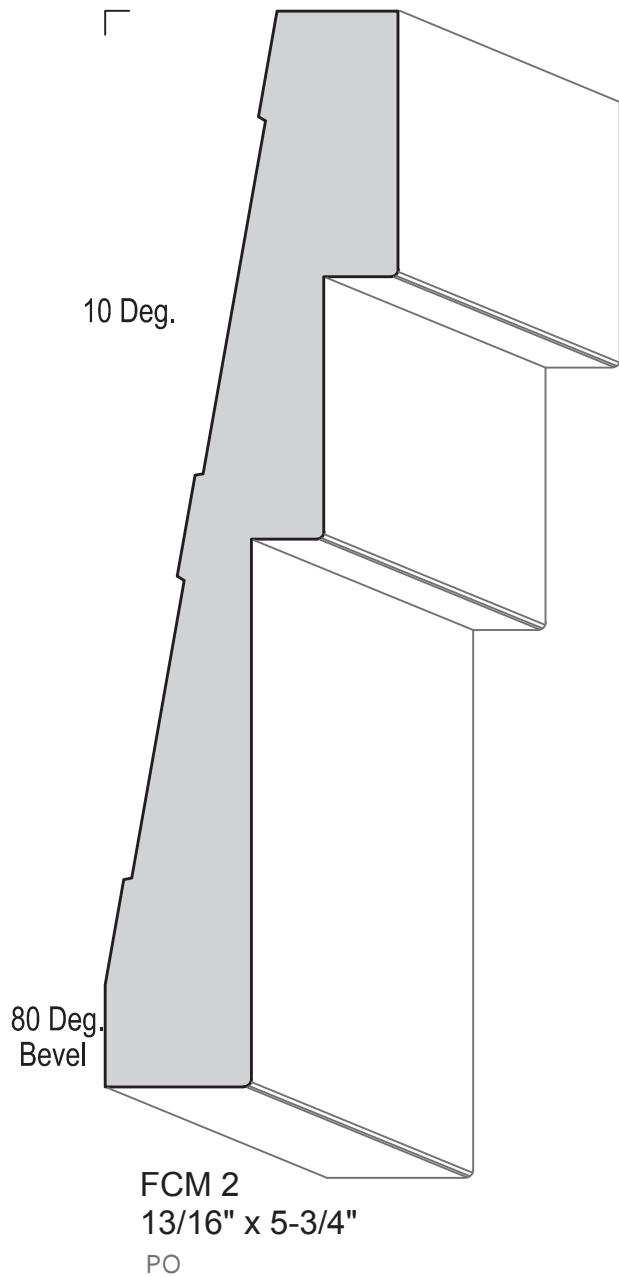
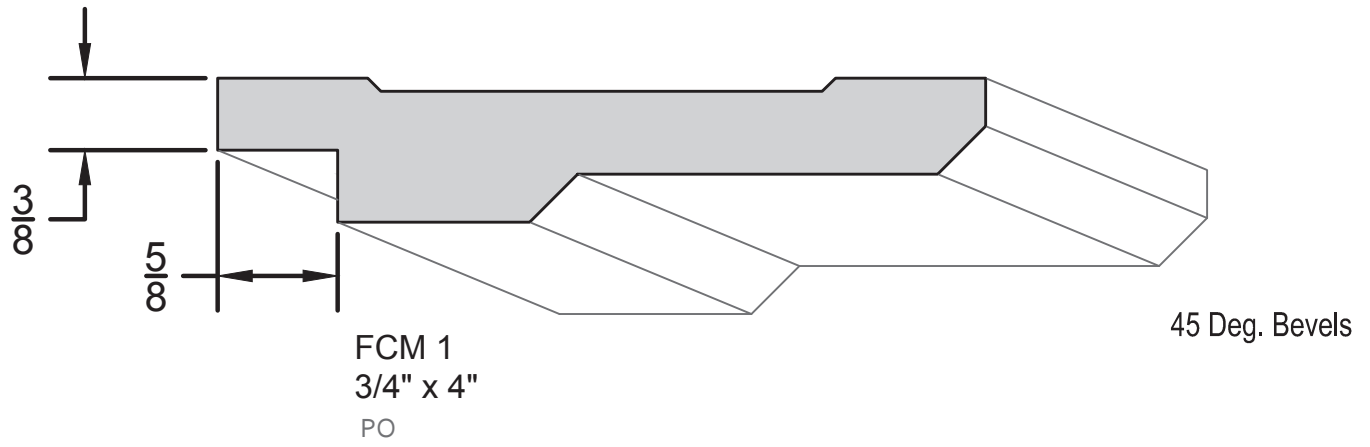
PM 29
1 1/16" x 1"
CA, PO



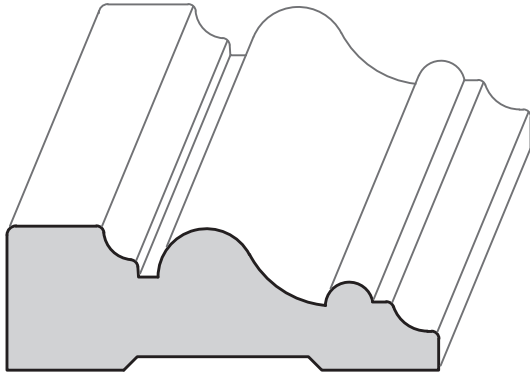
CV 8 MOD
1" x 5"
CA, KA, PO



CV 11
13/16" x 3-1/2"
CA, PO



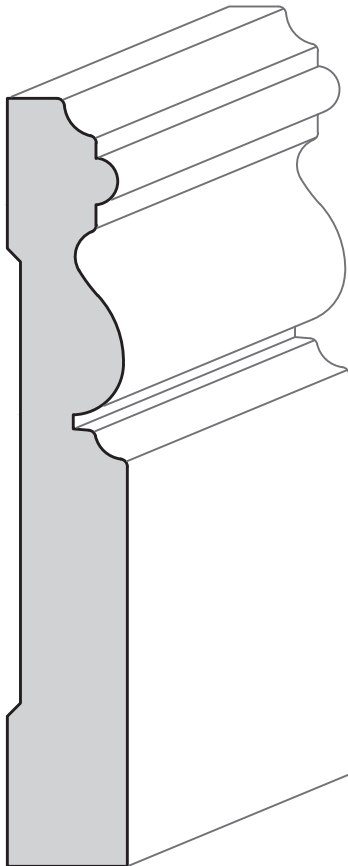
BASE AND CASE PROFILES



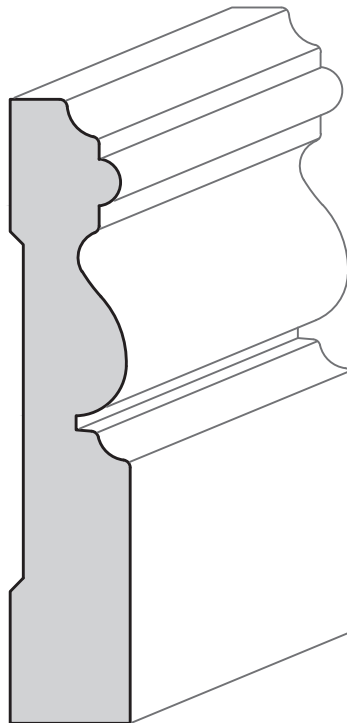
C 1 Case
3/4" x 2-1/4"
CA, PO, RO



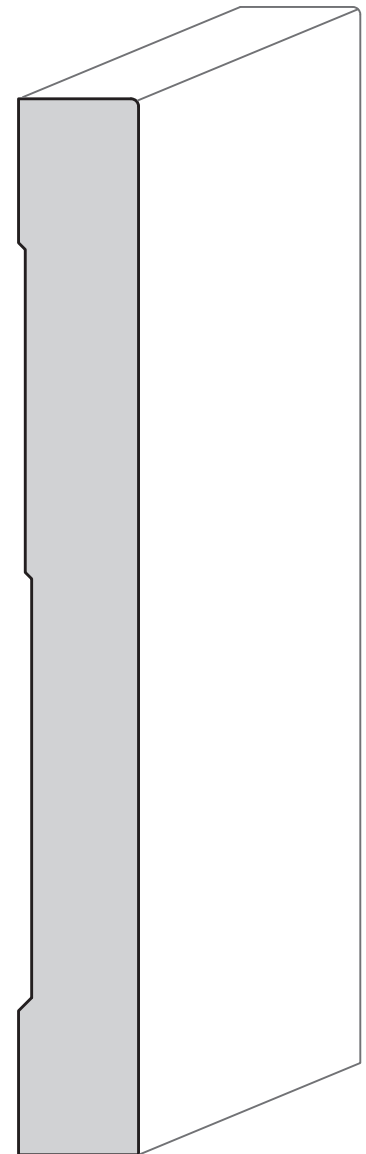
C 2a Case
3/4" x 3-1/2"
KA, PO



B 1 Base
5/8" x 4"
HM, KA,
PO, RO

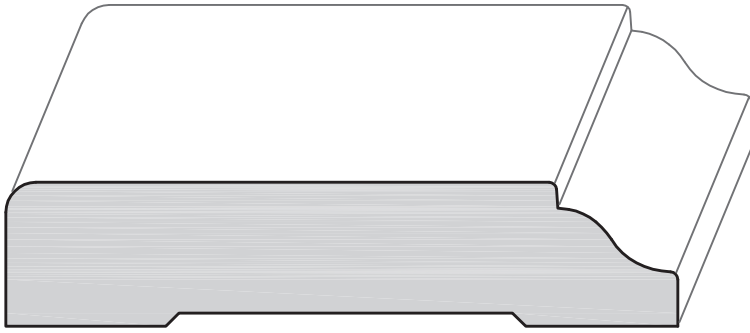


B 1 Base
5/8" x 3-1/4"
Non-Stock

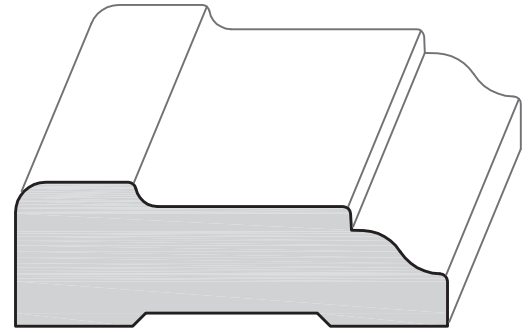


B 2a Base
5/8" x 5-1/2"
KA, PO

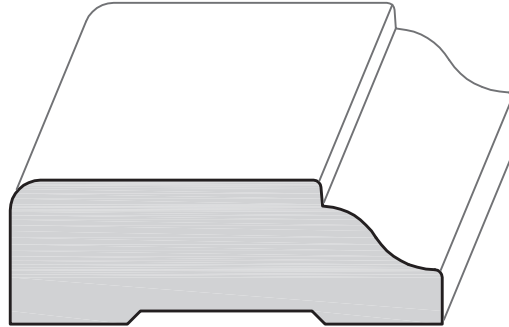
BASE AND CASE PROFILES



C 3 Case
 3/4" x 3-1/2"
 CA, KA, PO



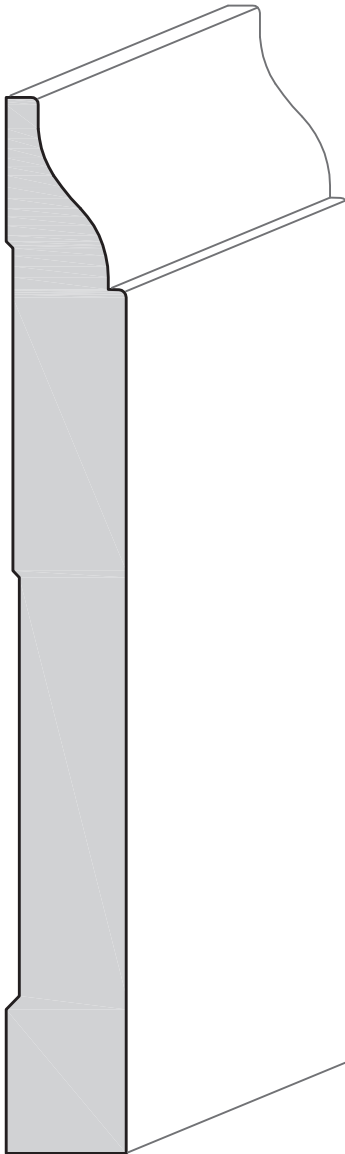
C 4 Case
 3/4" x 2-1/4"
 PO



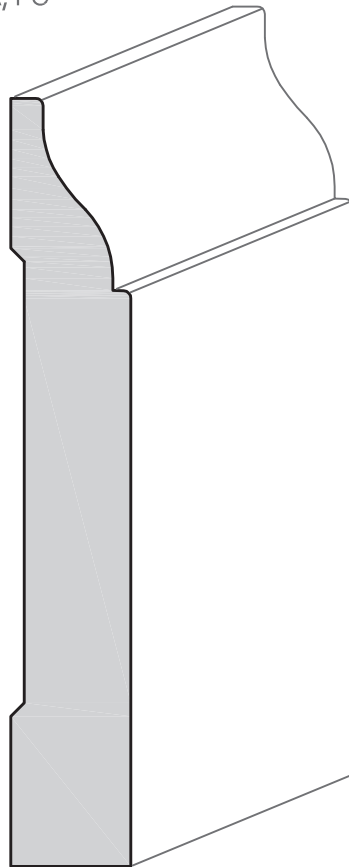
C 3 Case
 3/4" x 2-1/4"
 CA, HM,
 KA, PO

Notes:

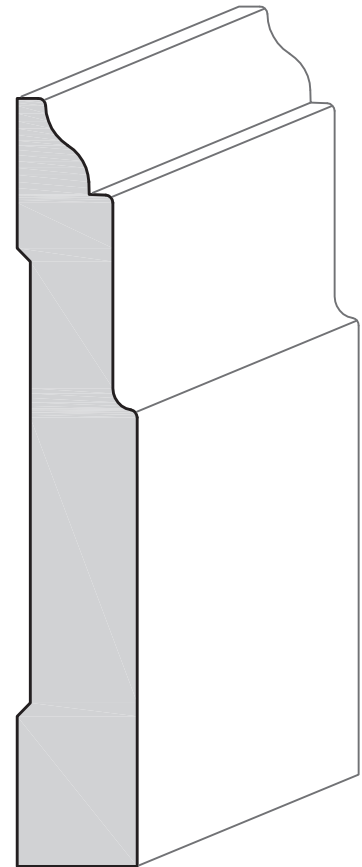
1. See Page 1 For Material Species Key.
2. * = Discontinued, Limited To Stock On Hand.



B 3 Base
 5/8" x 5-1/2"
 CA, KA, PO

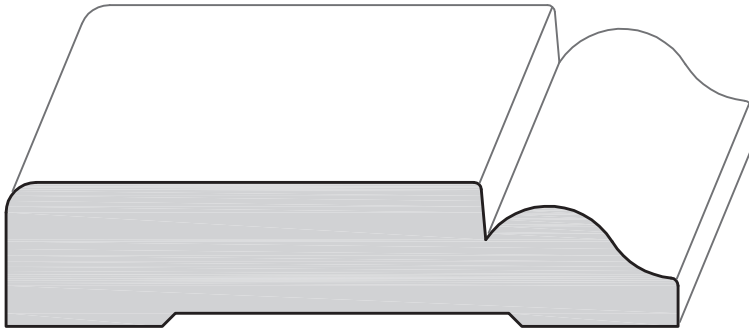


B 3 Base
 5/8" x 4"
 CA, CH, HM,
 KA, PO, RO

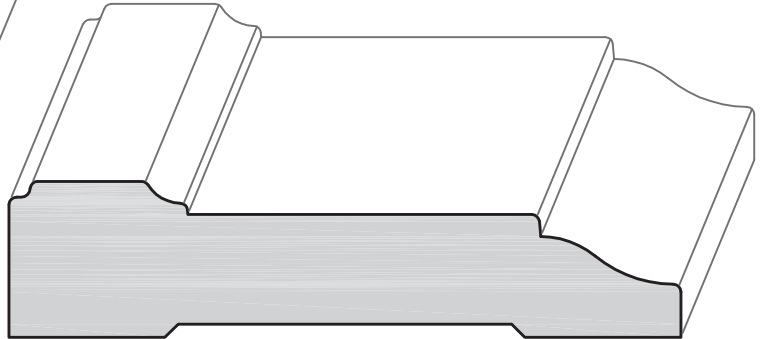


B 4 Base
 5/8" x 4"
 PO

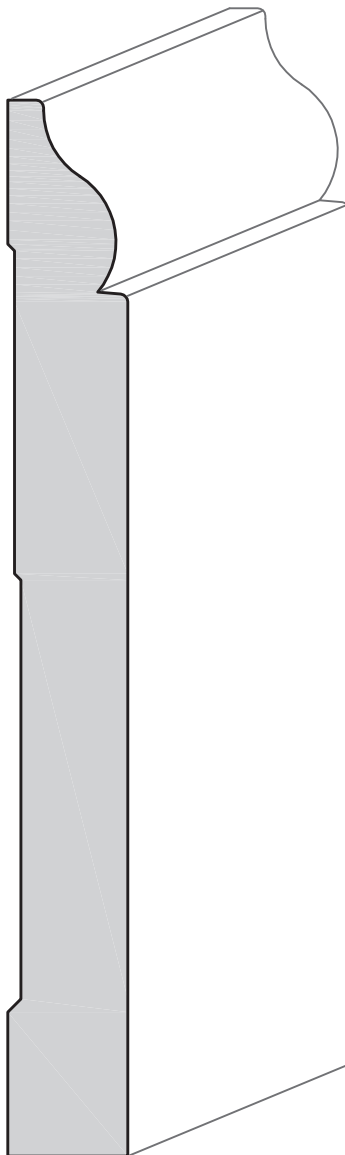
BASE AND CASE PROFILES



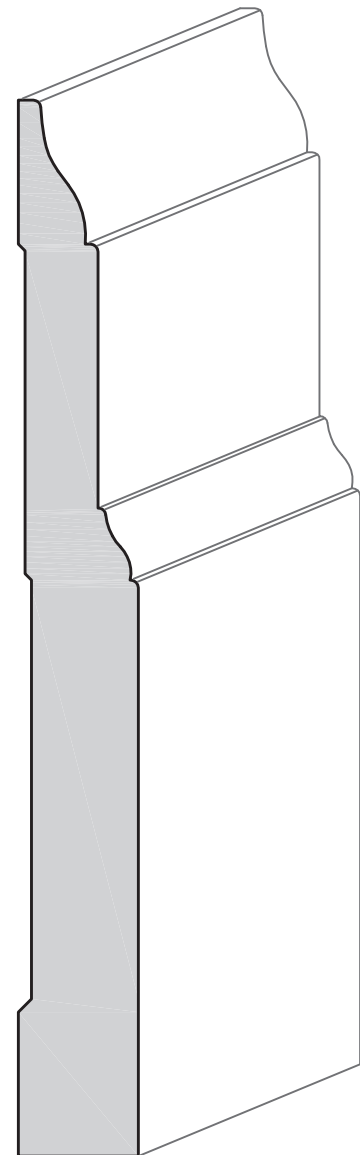
C 5 Case
3/4" x 3-1/2"
KA, PO



C 6 Case
13/16" x 3-1/2"
KA, PO



B 5 Base
5/8" x 5-1/2"
KA, PO

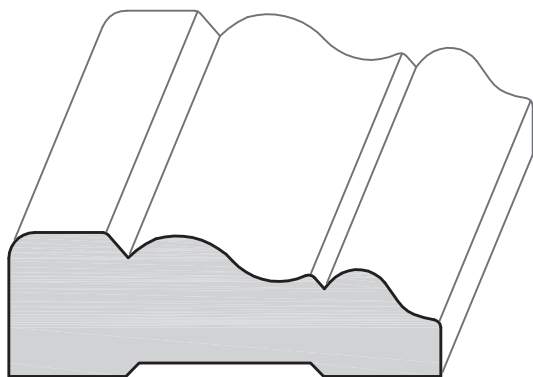


B 6 Base
5/8" x 5-1/2"
KA, PO

Notes:

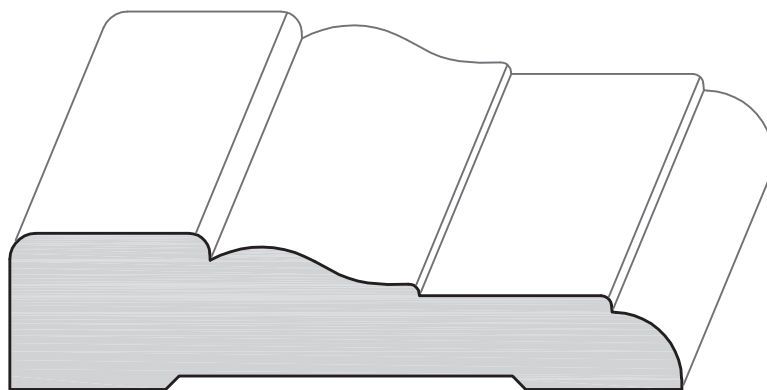
1. See Page 1 For Material Species Key.
2. * = Discontinued, Limited To Stock On Hand.

BASE AND CASE PROFILES



C 7 Case
3/4" x 2-1/4"

PO

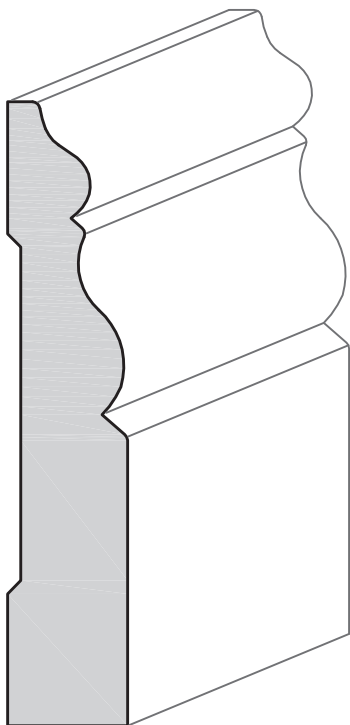


C 8 Case
13/16" x 3-1/2"

KA, PO

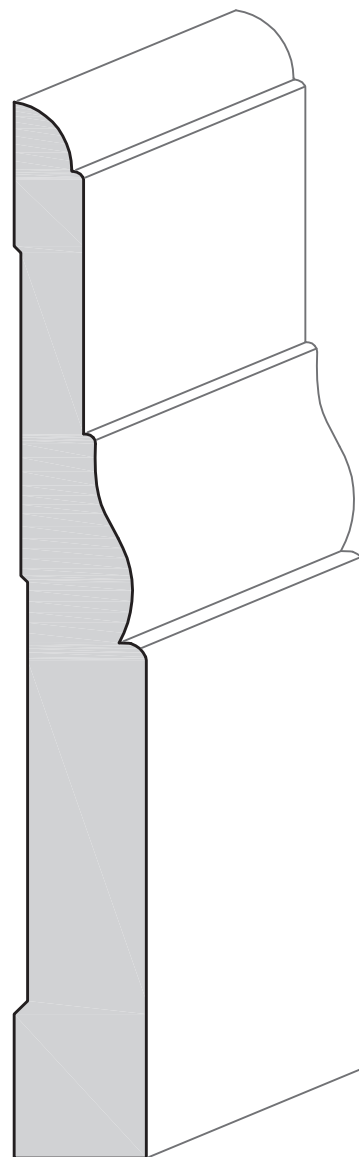
Notes:

1. See Page 1 For Material Species Key.
2. * = Discontinued, Limited To Stock On Hand.



B 7 Base
5/8" x 3-1/4"

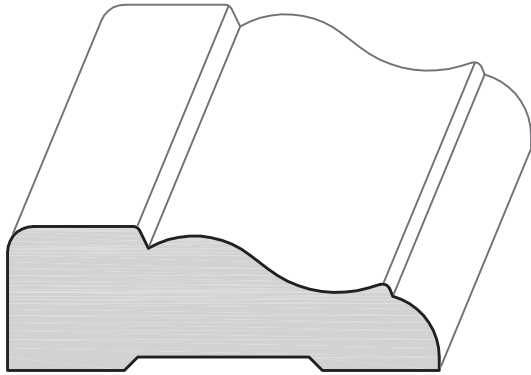
PO



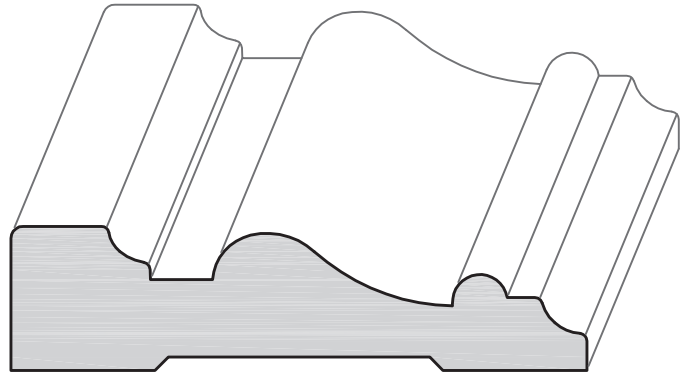
B 8 Base
11/16" x 5-1/2"

KA, PO

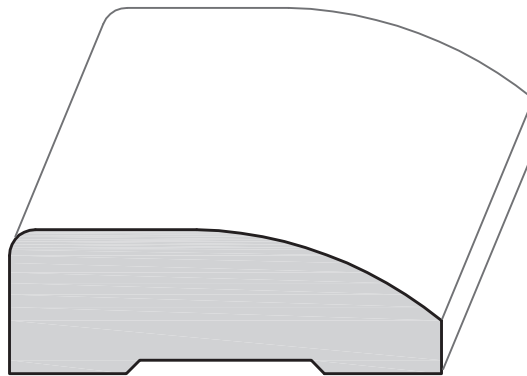
BASE AND CASE PROFILES



C 9 Case
3/4" x 2-1/4"
PO



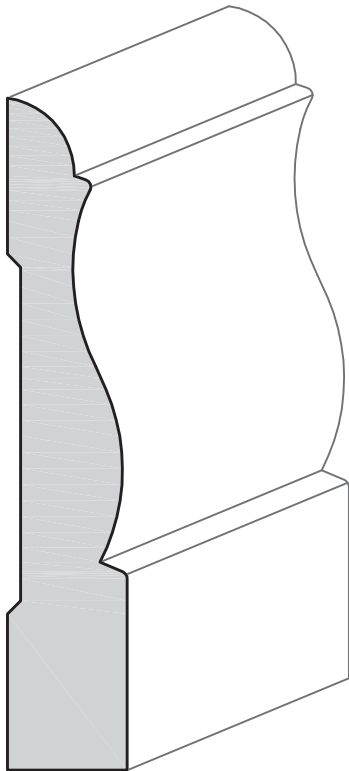
C 11 Case
3/4" x 3"
KA, PO



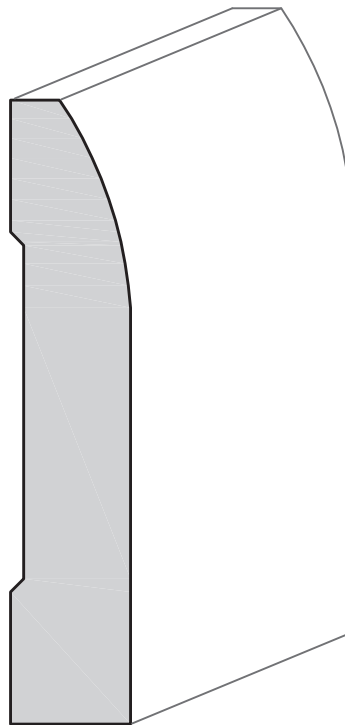
C 10 Case
3/4" x 2-1/4"
Non-Stock

Notes:

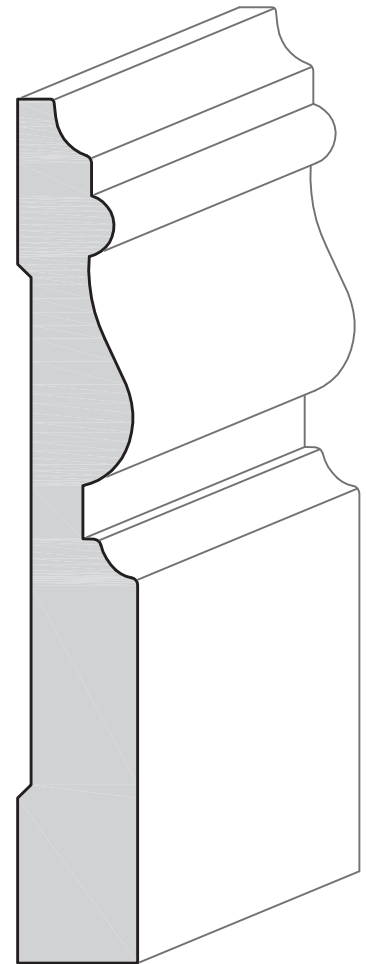
1. See Page 1 For Material Species Key.
2. * = Discontinued, Limited To Stock On Hand.



B 9 Base
5/8" x 3-1/2"
PO

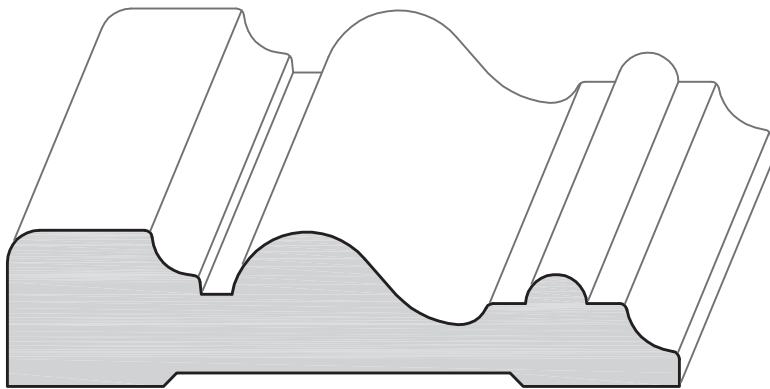


B 10 Base
5/8" x 3-1/4"
Non-Stock



B 11 Base
5/8" x 4-1/2"
KA, PO

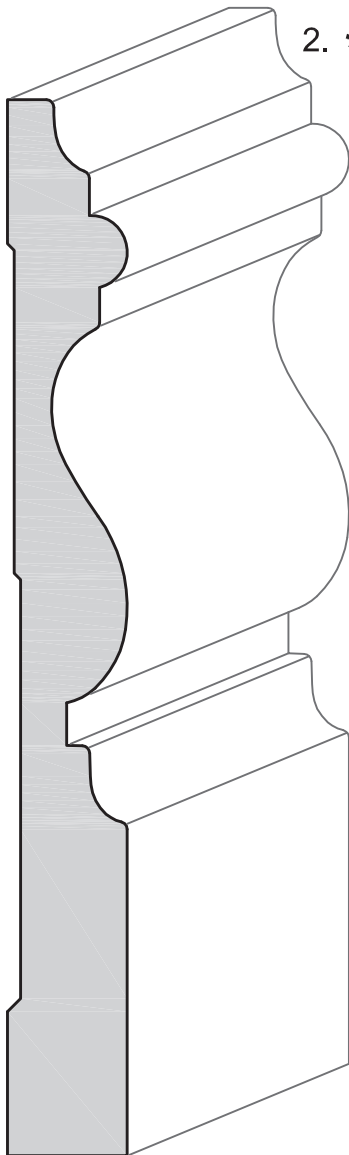
BASE AND CASE PROFILES



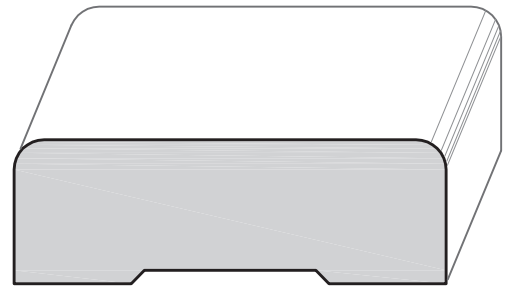
C 12 Case
13/16" x 3-1/2"
PO

Notes:

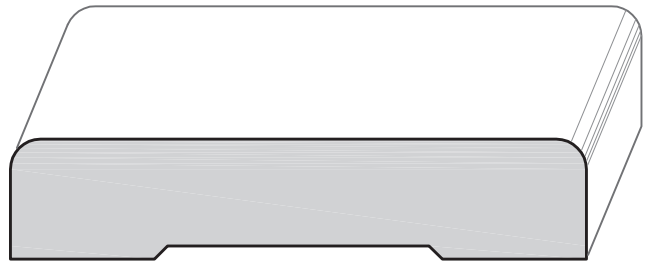
1. See Page 1 For Material Species Key.
2. * = Discontinued, Limited To Stock On Hand.



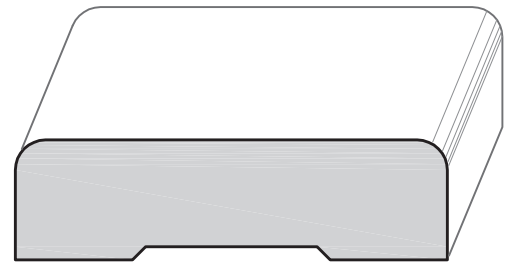
B 12 Base
5/8" x 5-1/2"
PO



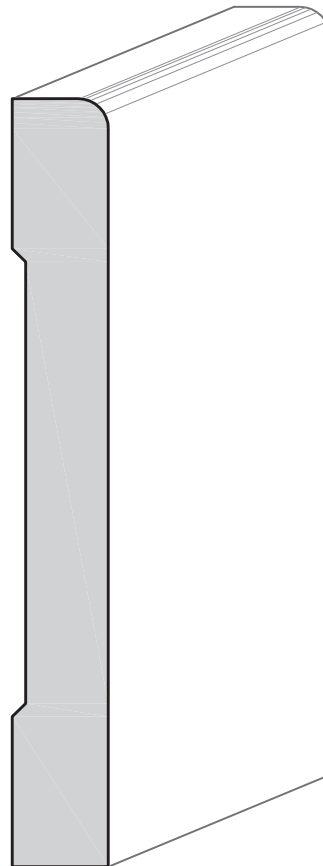
C 13 Case
3/4" x 2-1/4" PO



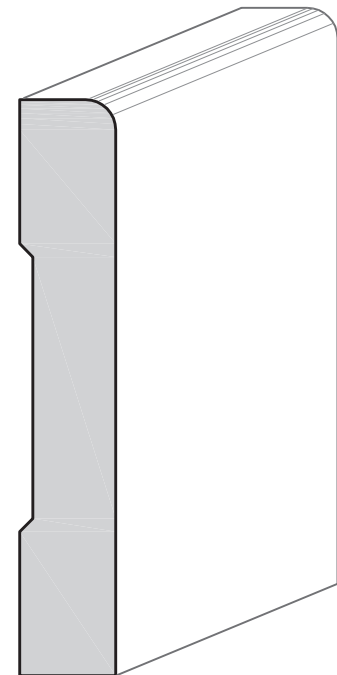
C 13 Case
5/8" x 3"
PO,



C 13 Case
5/8" x 2-1/4"
PO

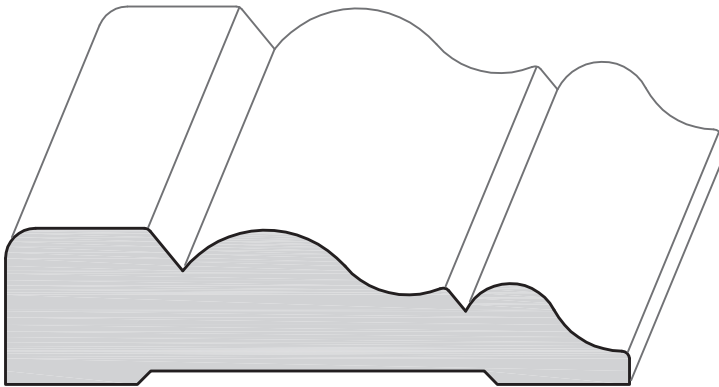


B 13 Base
1/2" x 4"
PO

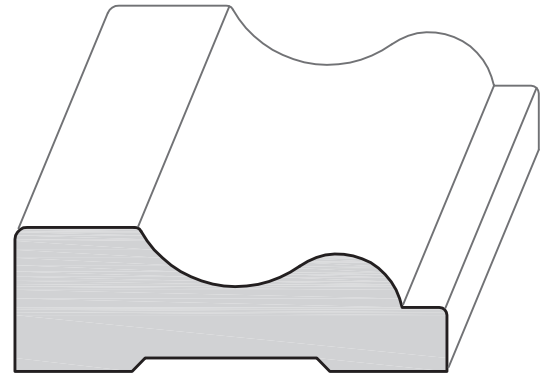


B 13 Base
1/2" x 3"
PO

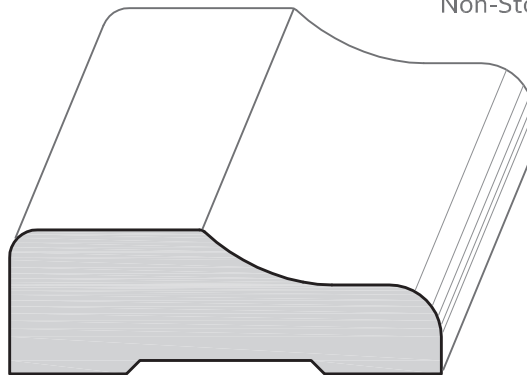
BASE AND CASE PROFILES



C 14 Case
13/16" x 3-1/4"
PO



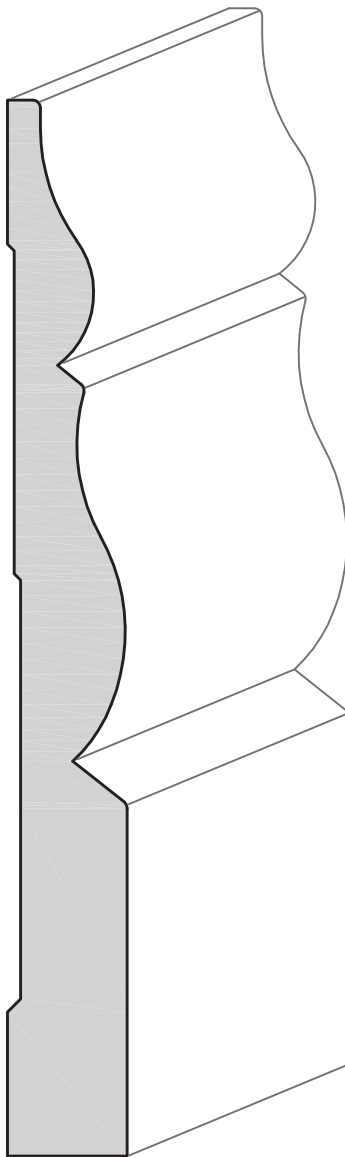
C 16 Case
3/4" x 2-1/4"
Non-Stock



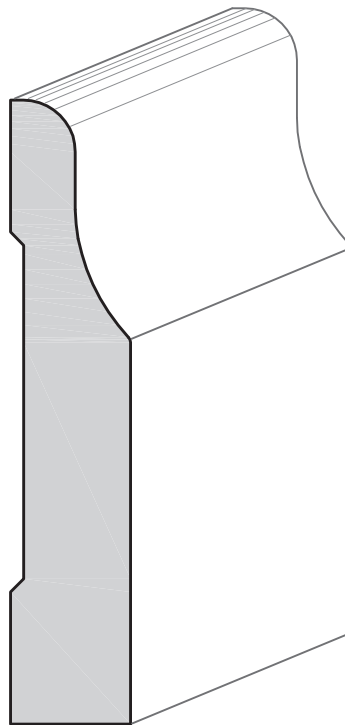
C 15 Case
3/4" x 2-1/4"
Non-Stock

Notes:

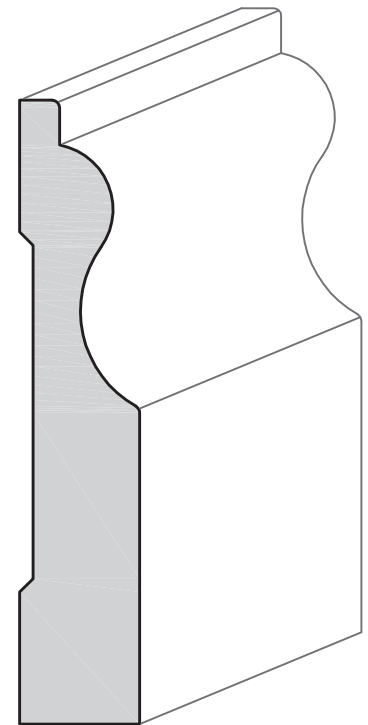
1. See Page 1 For Material Species Key.
2. * = Discontinued, Limited To Stock On Hand.



B 14 Base
5/8" x 5-1/2"
PO

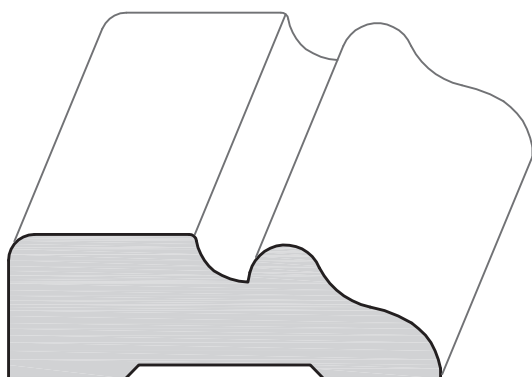


B 15 Base
5/8" x 3-1/4"
Non-Stock

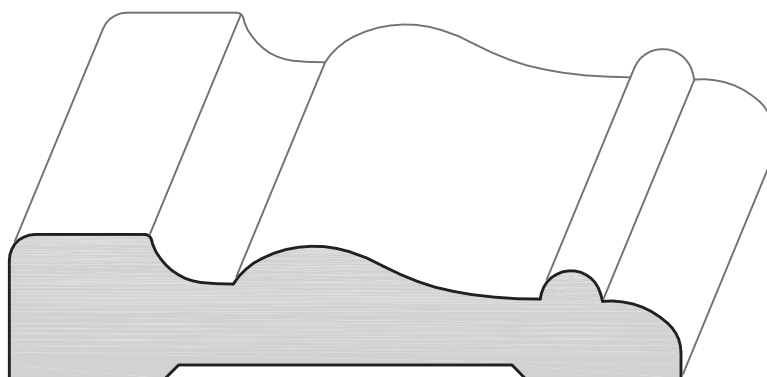


B 16 Base
5/8" x 3-1/4"
Non-Stock

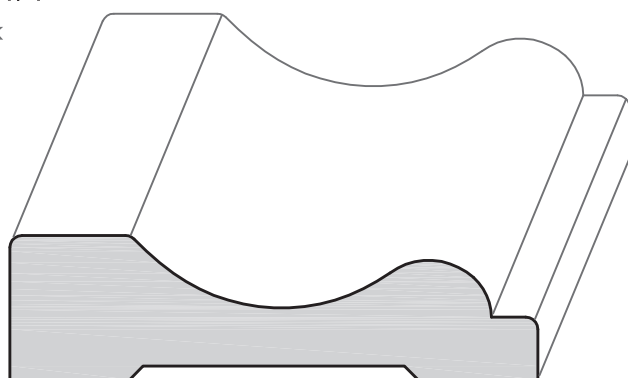
BASE AND CASE PROFILES



C 17 Case
3/4" x 2-1/4"
Non-Stock



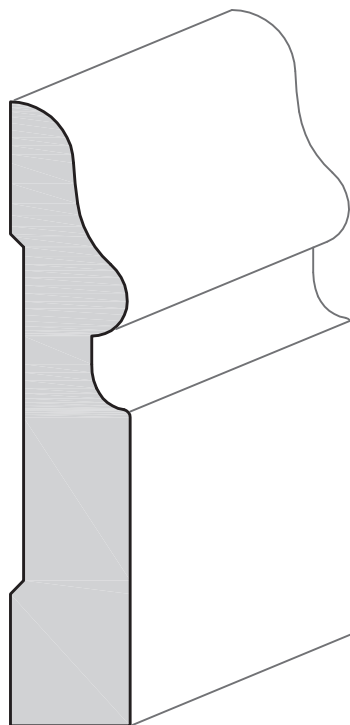
C 19 Case
3/4" x 3-1/2"
Non-Stock



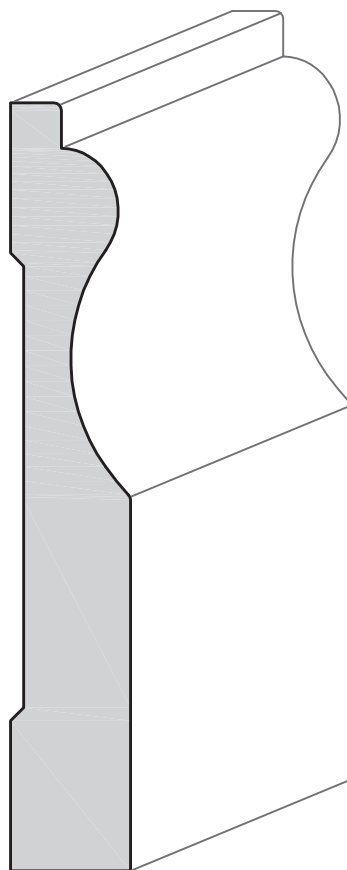
C 18 Case
3/4" x 2-3/4"
Non-Stock

Notes:

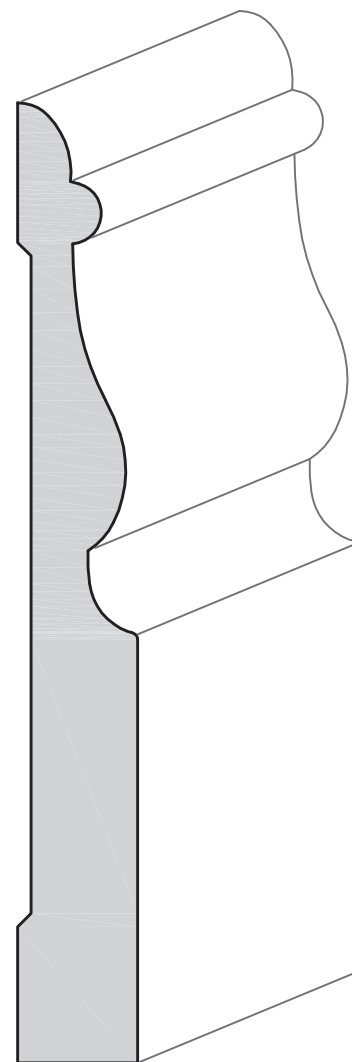
1. See Page 1 For Material Species Key.
2. * = Discontinued, Limited To Stock On Hand.



B 17 Base
5/8" x 3-1/4"
Non-Stock

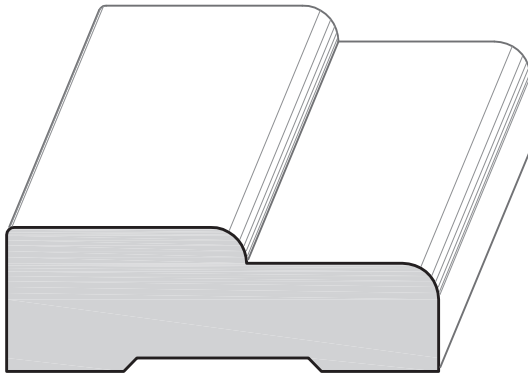


B 18 Base
5/8" x 4"
Non-Stock

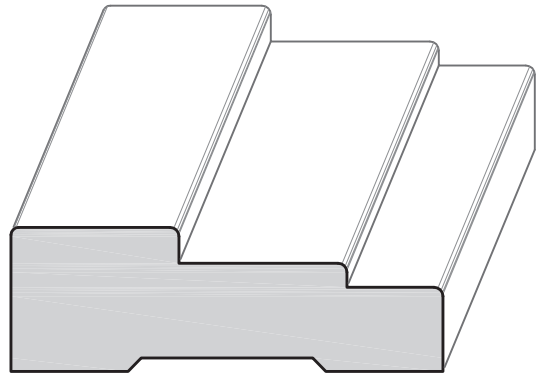


B 19 Base
5/8" x 5"
Non-Stock

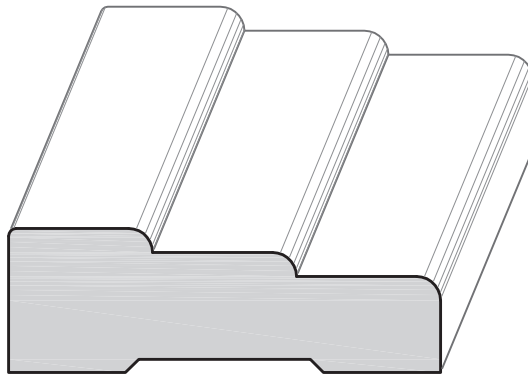
BASE AND CASE PROFILES



SC 20 Case
3/4" x 2-1/4"
Non-Stock



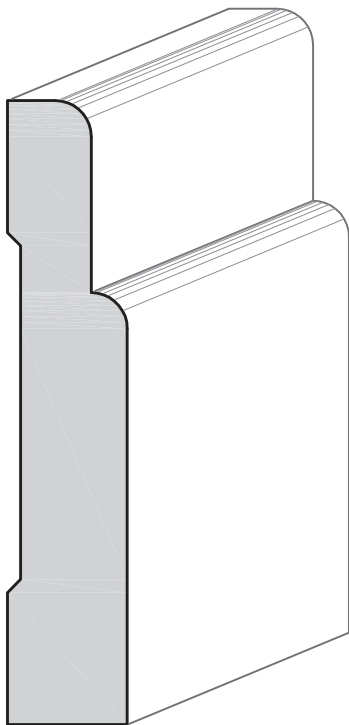
SC 22 Case
3/4" x 2-1/4"
Non-Stock



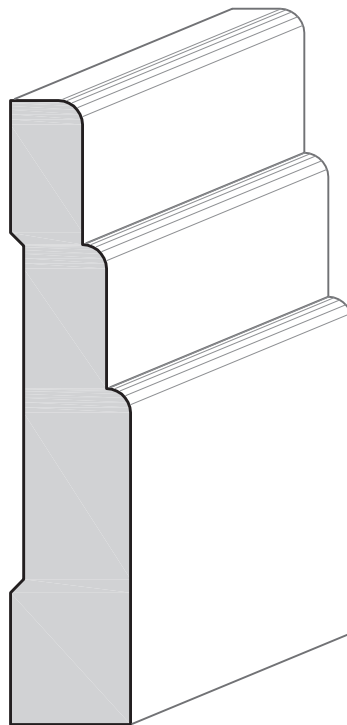
SC 21 Case
3/4" x 2-1/4"
Non-Stock

Notes:

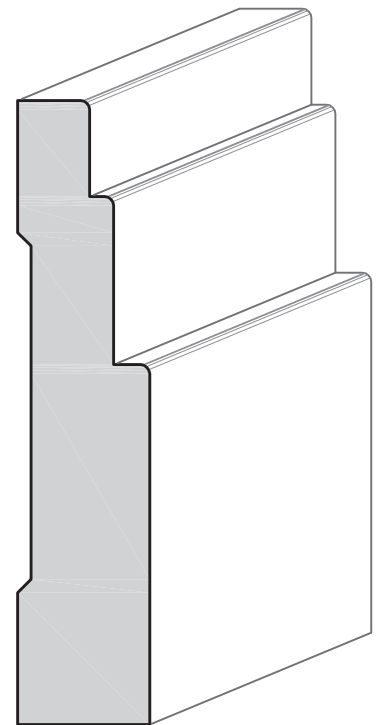
1. See Page 1 For Material Species Key.
2. * = Discontinued, Limited To Stock On Hand.



SB 20 Base
5/8" x 3-1/4"
Non-Stock

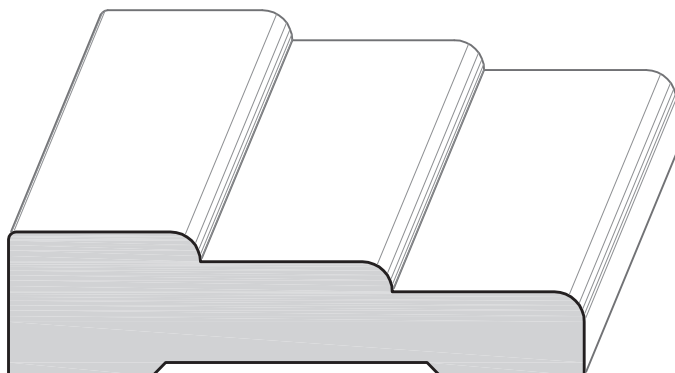


SB 21 Base
5/8" x 3-1/4"
Non-Stock

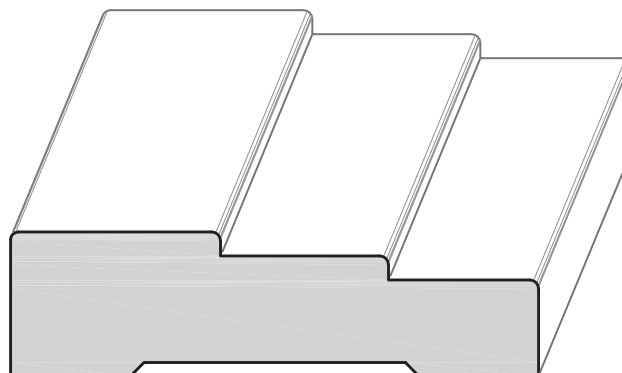


SB 22 Base
11/16" x 3-1/4"
Non-Stock

BASE AND CASE PROFILES



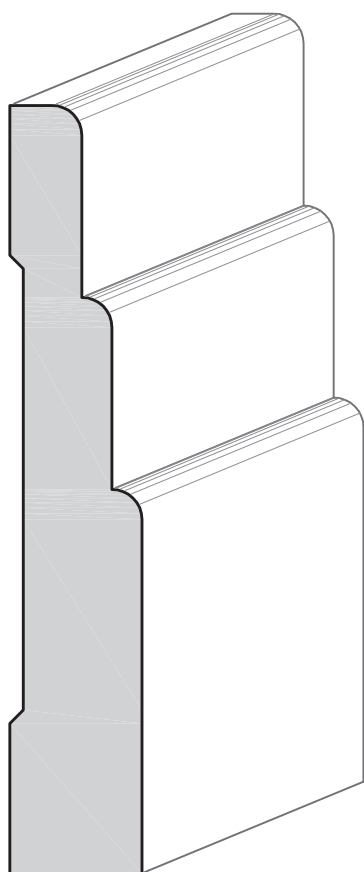
SC 23 Case
3/4" x 3"
Non-Stock



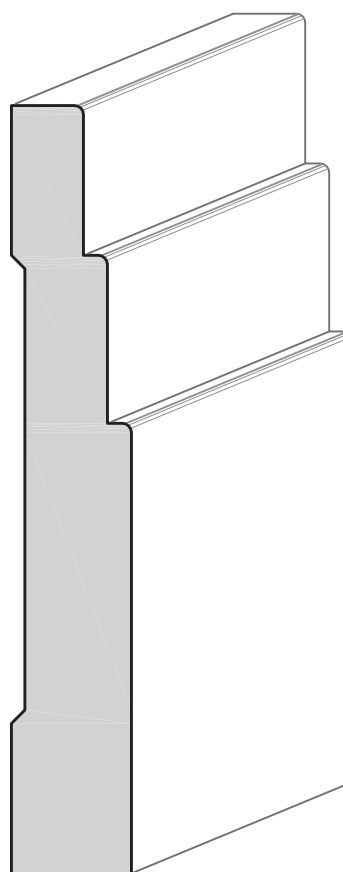
SC 24 Case
3/4" x 2-3/4"
Non-Stock

Notes:

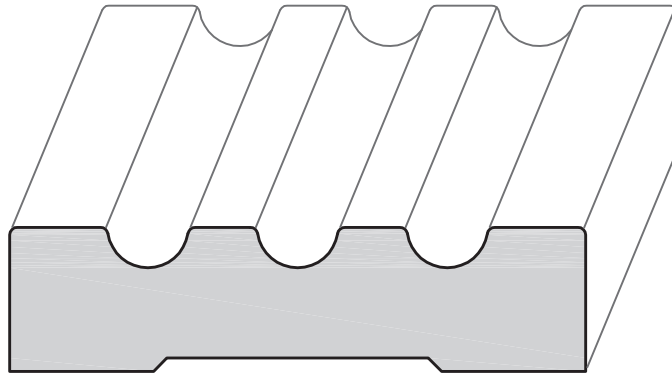
1. See Page 1 For Material Species Key.
2. * = Discontinued, Limited To Stock On Hand.



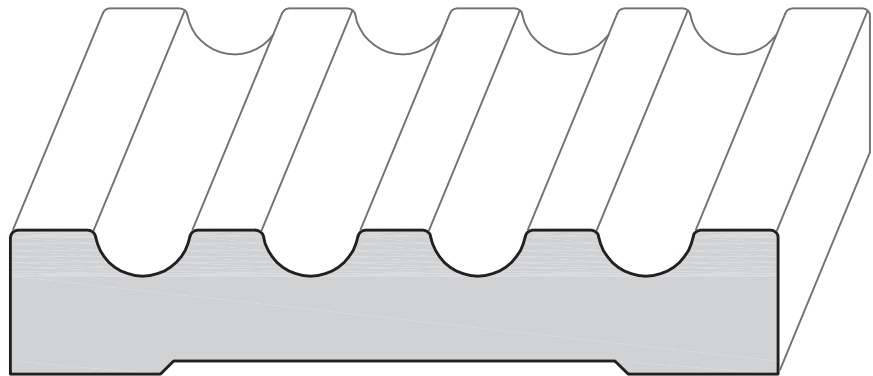
SB 23 Base
11/16" x 4"
Non-Stock



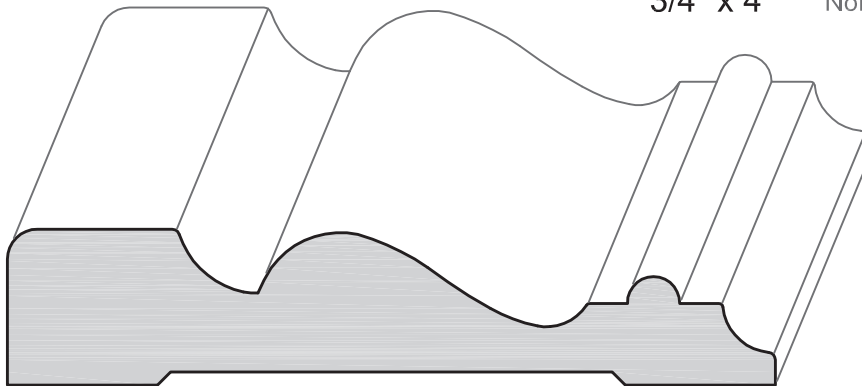
SB 24 Base
5/8" x 4"
Non-Stock



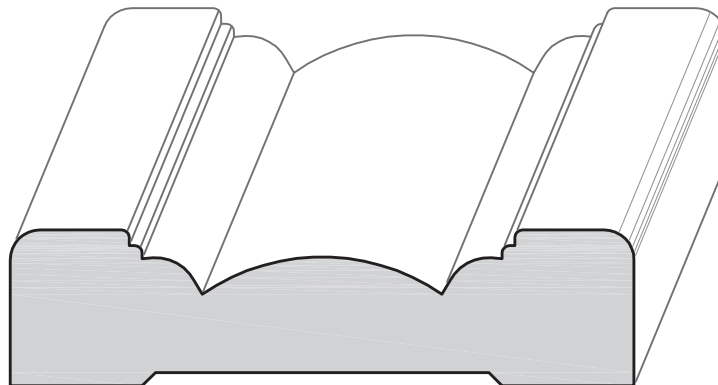
FC 26 Case
3/4" x 3"
Non-Stock



FC 27 Case
3/4" x 4" Non-Stock



C 28 Case
13/16" x 4"
Non-Stock

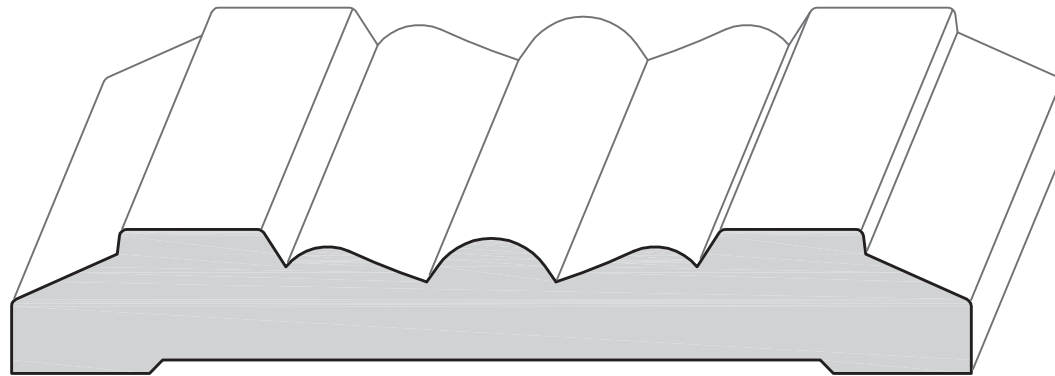


C 29 Case
13/16" x 3-1/4"
Non-Stock

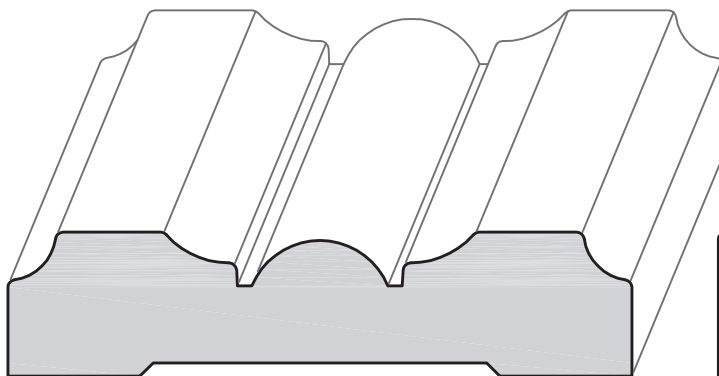
Notes:

1. See Page 1 For Material Species Key.
2. * = Discontinued, Limited To Stock On Hand.

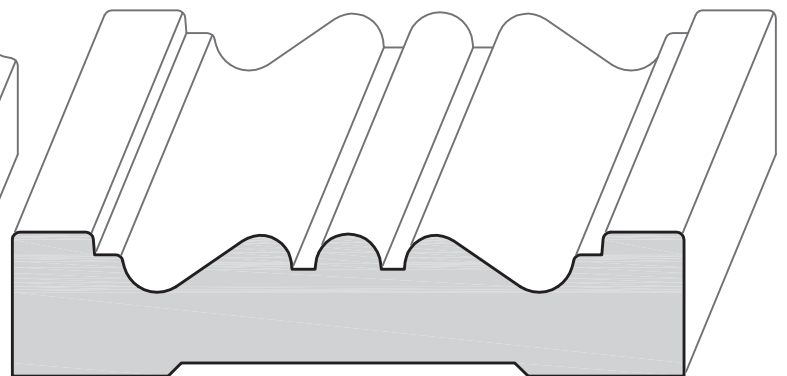
CASING PROFILES



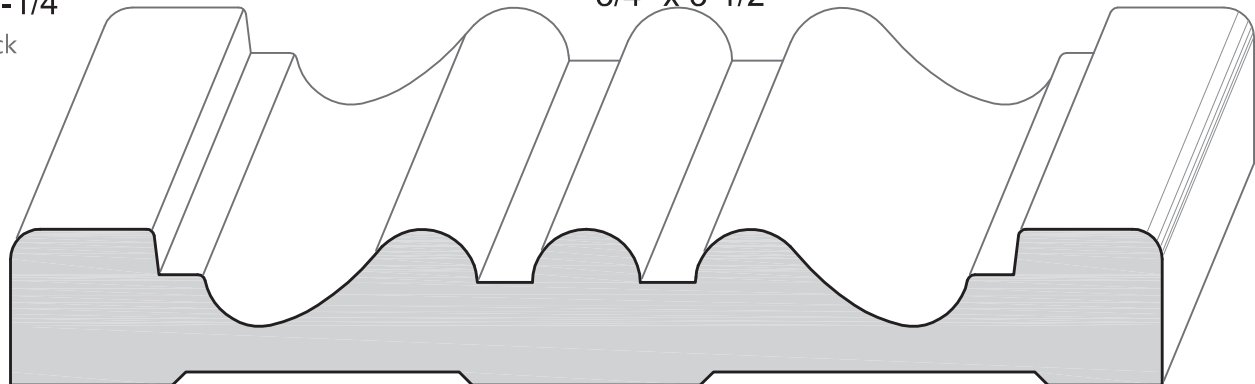
C 30 Case
3/4" x 5" Non-Stock



C 31 Case
3/4" x 3-1/4"
Non-Stock



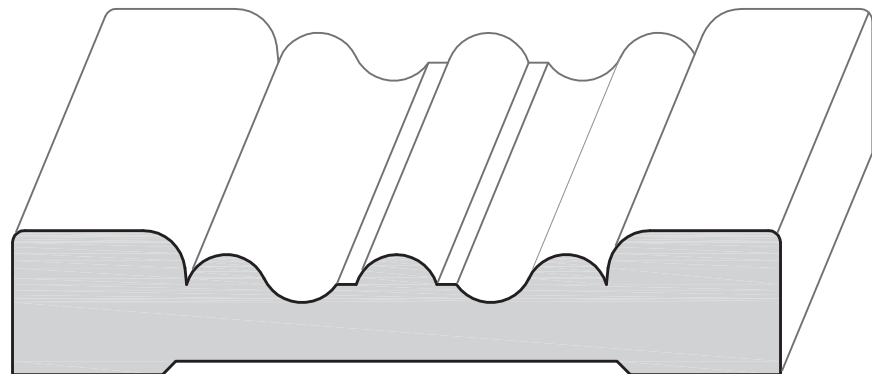
C 32 Case
3/4" x 3-1/2"
Non-Stock



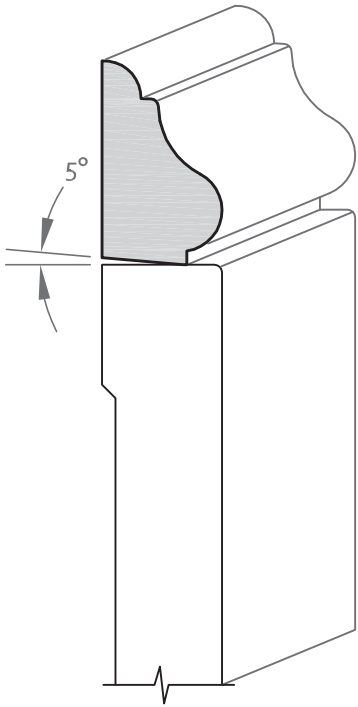
C 33 Case
13/16" x 6"
Non-Stock

Notes:

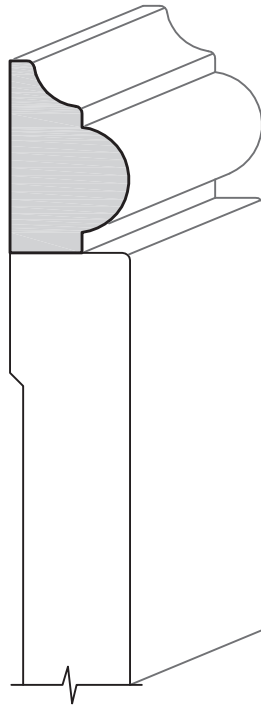
1. See Page 1 For Material Species Key.
2. * = Discontinued, Limited To Stock On Hand.



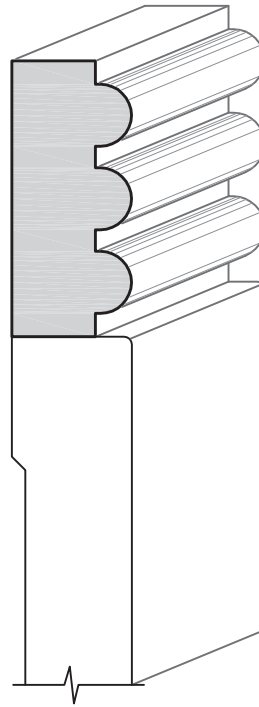
C 34 Case
3/4" x 4"
Non-Stock



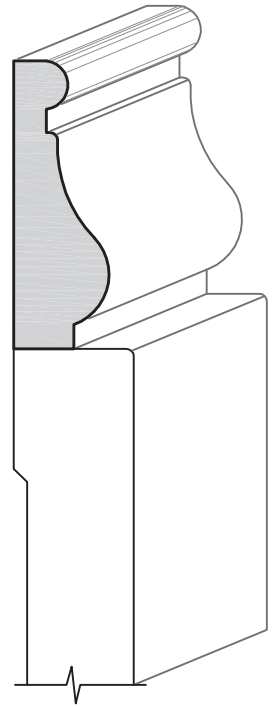
CAP 1
 5/8" x 1-1/16"
 CA, CH*, HK, PO
 RO, SM, WA, WO



CAP 2
 5/8" x 1"
 Non-Stock



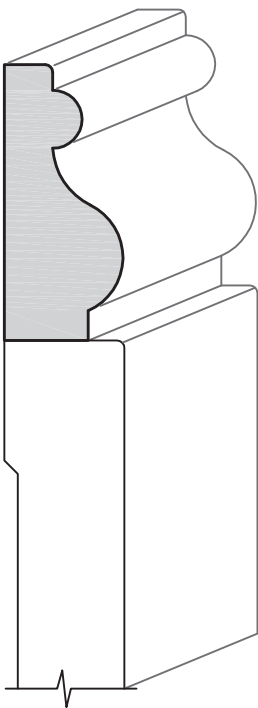
CAP 3
 5/8" x 1-7/16"
 Non-Stock



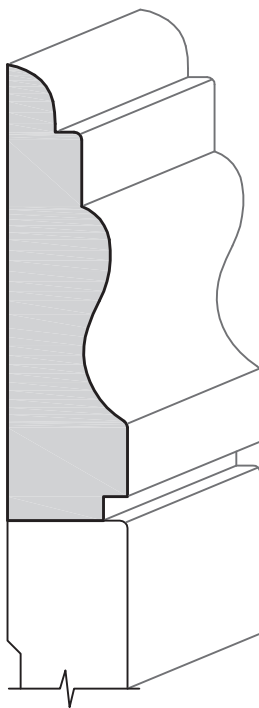
CAP 4
 1/2" x 1-1/2"
 Non-Stock

Notes:

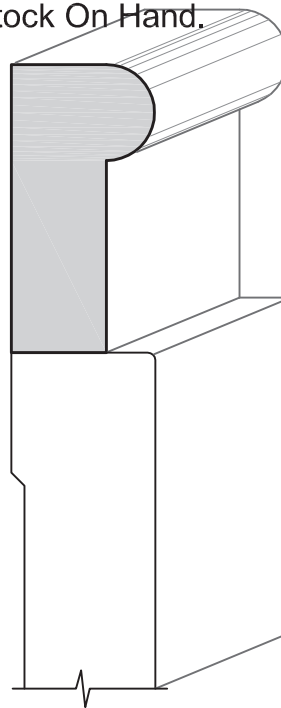
1. See Page 1 For Material Species Key.
2. * = Discontinued, Limited To Stock On Hand.



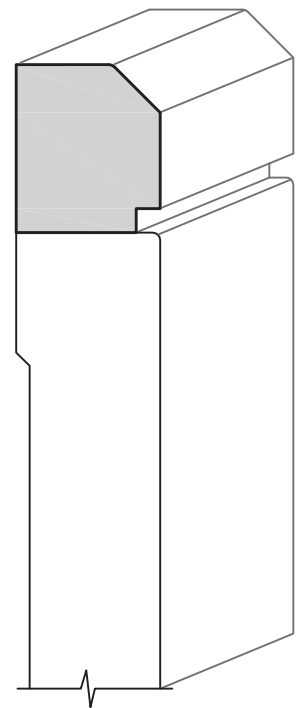
CAP 5
 5/8" x 1-7/16"
 Non-Stock



CAP 6
 5/8" x 2-3/8"
 Non-Stock

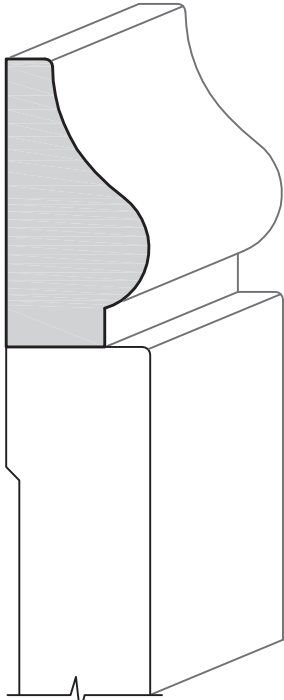


CAP 7
 3/4" x 1-1/2"
 Non-Stock

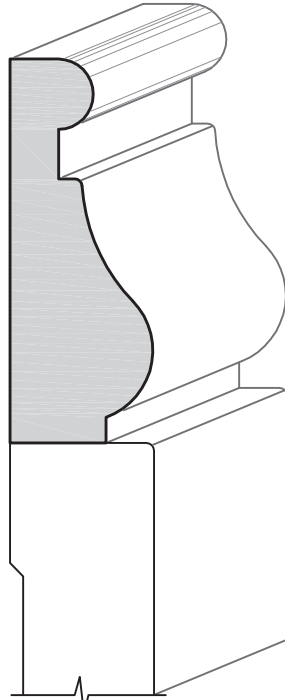


CAP 8
 3/4" x 7/8"
 Non-Stock

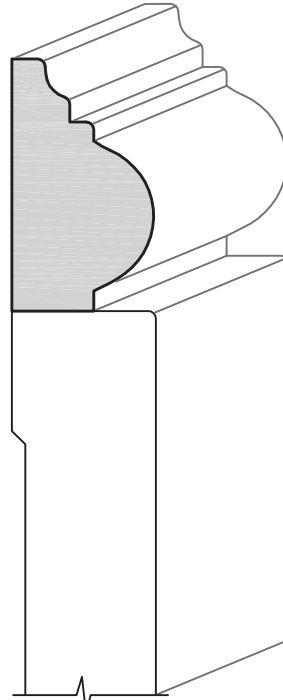
BASE CAPS



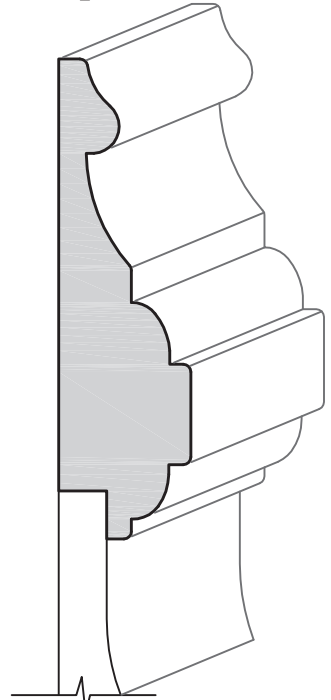
CAP 9
3/4" x 1-1/2"
Stocked As PM 12



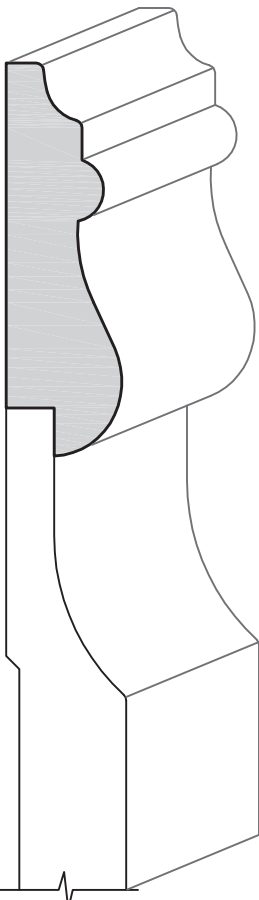
CAP 10
3/4" x 2"
Non-Stock



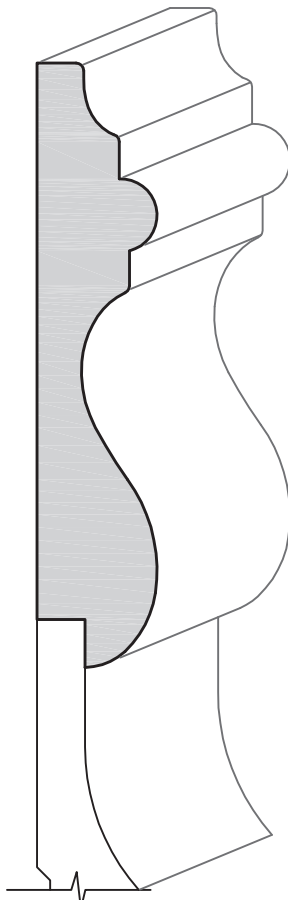
CAP 11
3/4" x 1-5/16"
Non-Stock



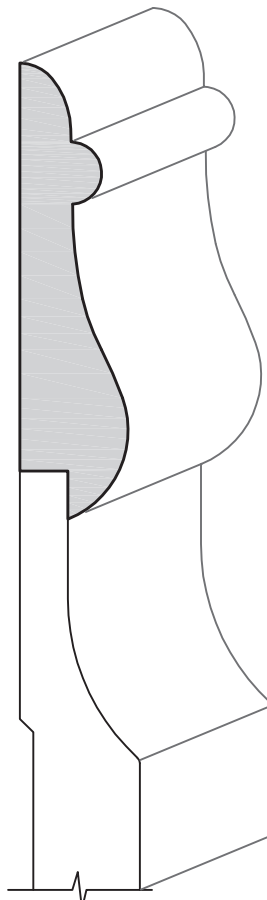
CAP 12
11/16" x 2-1/2"
Stocked as PM 22



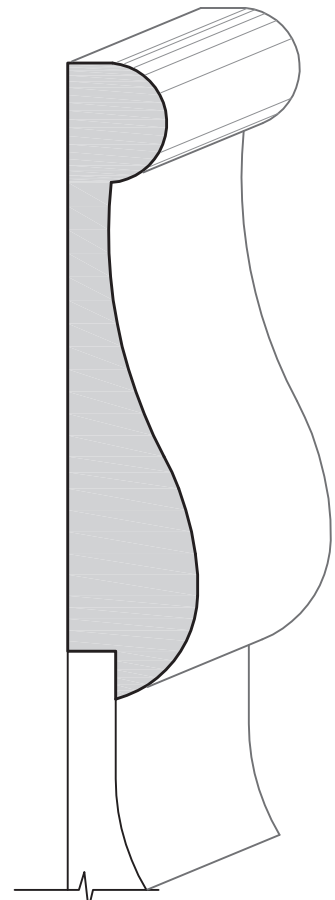
CAP 13
5/8" x 2-1/16"
Non-Stock



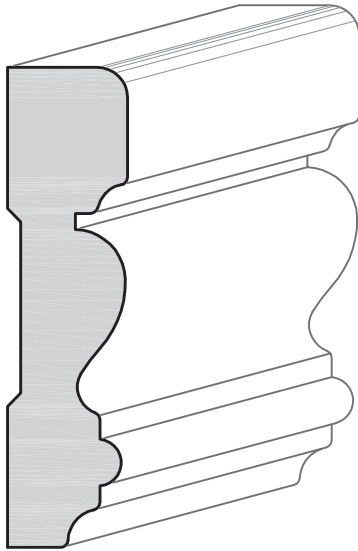
CAP 14
5/8" x 3-3/16"
Non-Stock



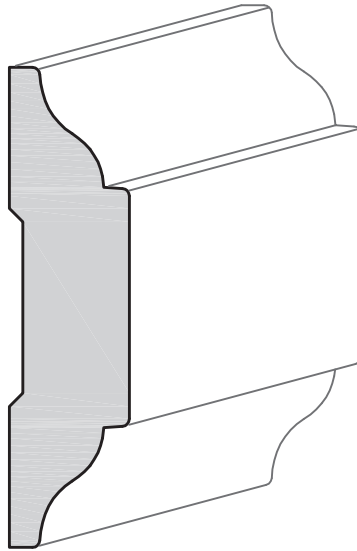
CAP 15
9/16" x 2-3/8"
Non-Stock



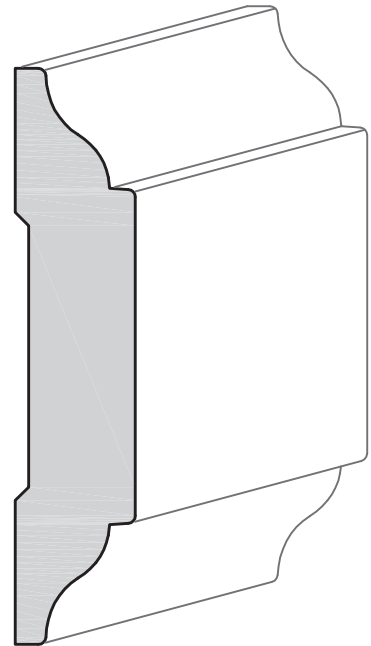
CAP 16
11/16" x 3-5/16"
Non-Stock



CR 251
5/8" x 2-1/2"
Non-Stock



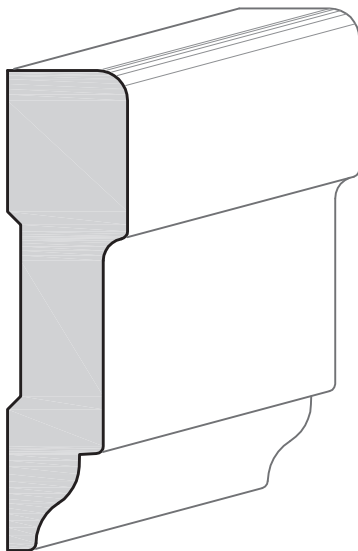
CR 253
5/8" x 2-1/2"
KA, PO



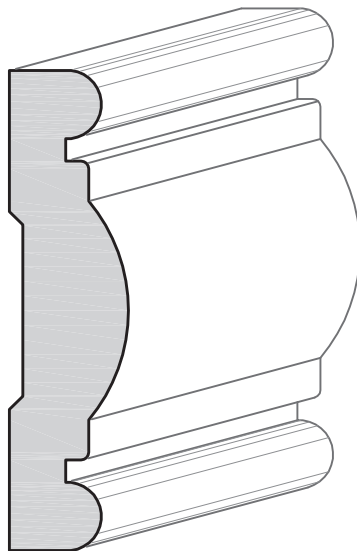
CR 33
5/8" x 3"
PO

Notes:

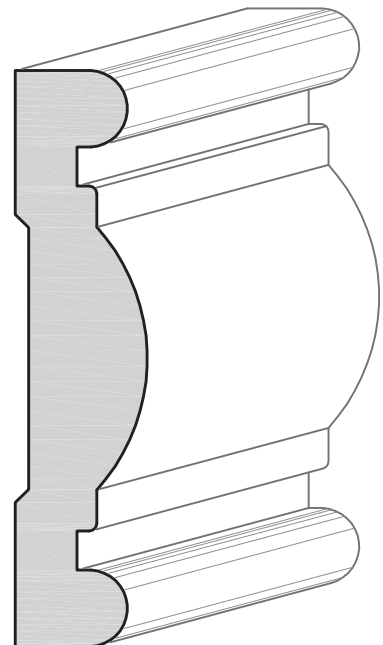
1. See Page 1 For Material Species Key.
2. * = Discontinued, Limited To Stock On Hand.



CR 254
5/8" x 2-1/2"
Non-Stock

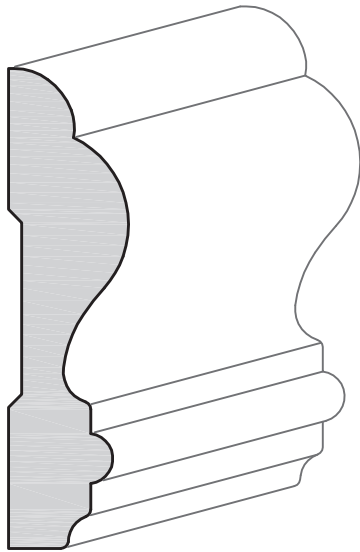


CR 255
5/8" x 2-1/2"
Non-Stock

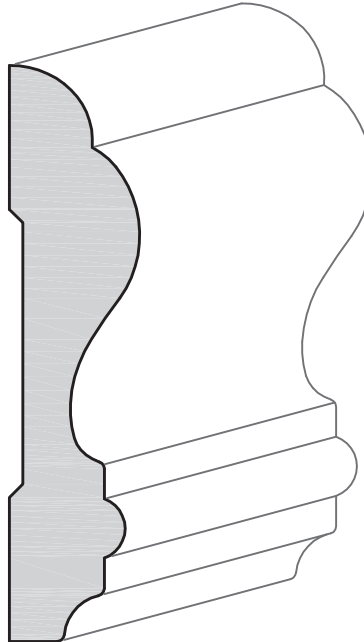


CR 35
11/16" x 3"
Non-Stock

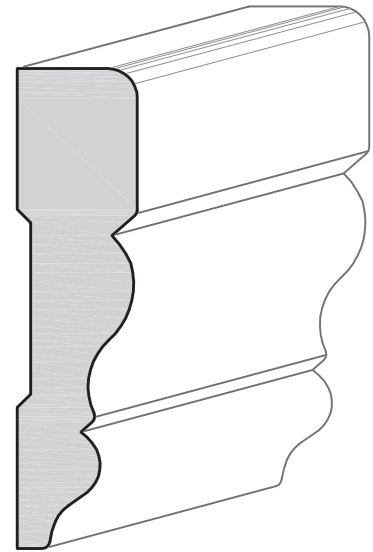
CHAIR RAIL



CR 256
5/8" x 2-1/2"
Non-Stock



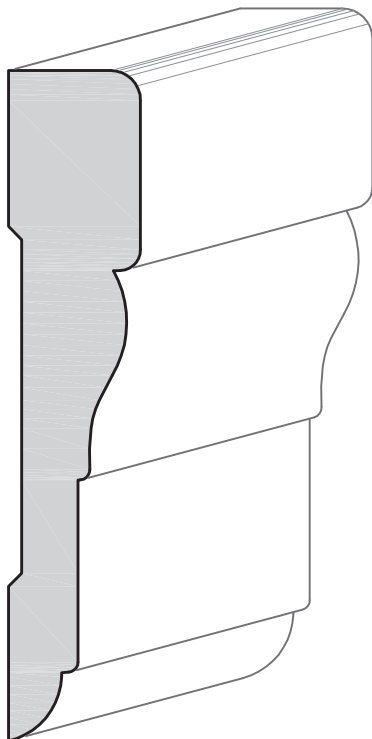
CR 36
1 1/16" x 3"
Non-Stock



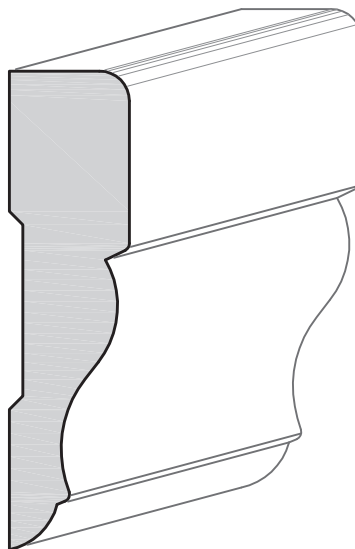
CR 257
5/8" x 2-1/2"
Non-Stock

Notes:

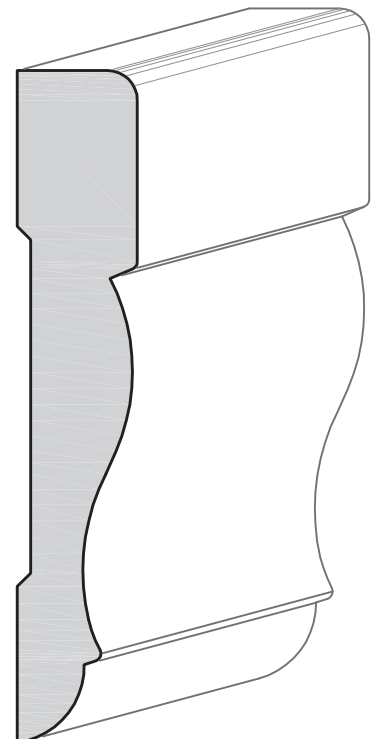
1. See Page 1 For Material Species Key.
2. * = Discontinued, Limited To Stock On Hand.



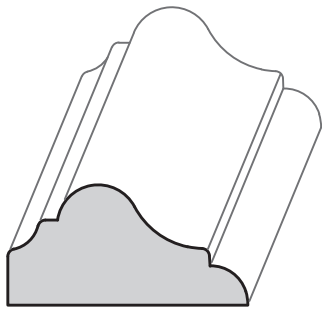
CR 358
1 1/16" x 3-1/2"
Non-Stock



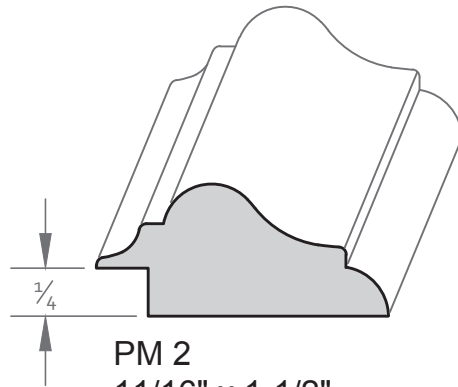
CR 259
5/8" x 2-1/2"
Non-Stock



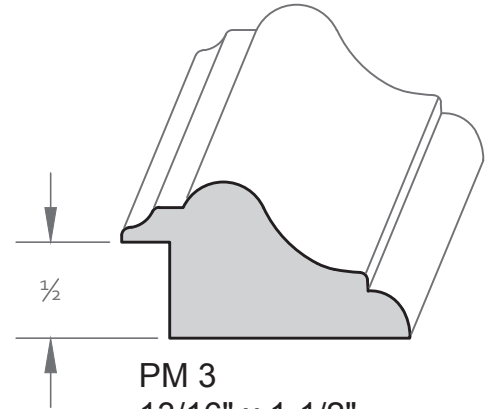
CR 359
5/8" x 3-1/2"
Non-Stock



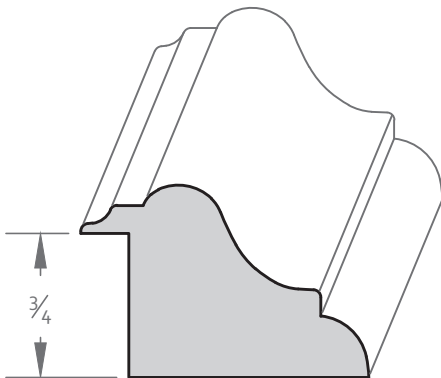
PM 1
5/8" x 1-1/4"
CA, CH, PO, WA, WO



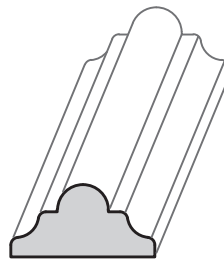
PM 2
11/16" x 1-1/2"
CA, PO



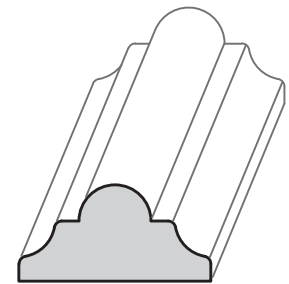
PM 3
13/16" x 1-1/2"
CA, CH, HM*, PO, RO*



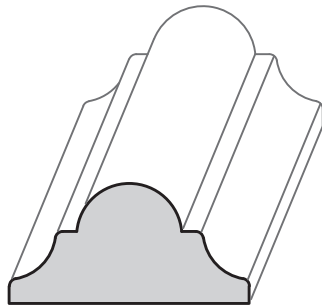
PM 4
1" x 1-1/2"
CA, CH, HM, KA, PO



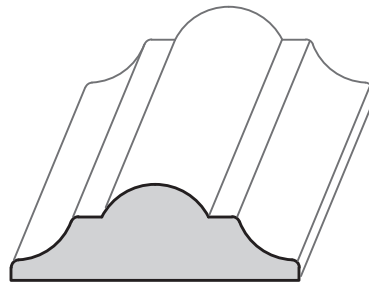
PM 5
3/8" x 3/4"
CA, CH, HM, HK, PO, RO, WA, WO



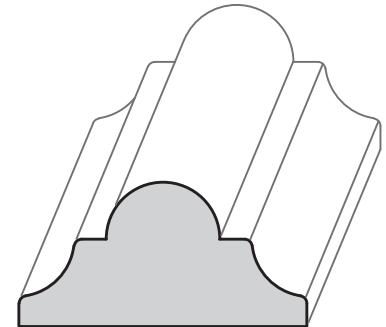
PM 6
1/2" x 1"
CA, CH, PO



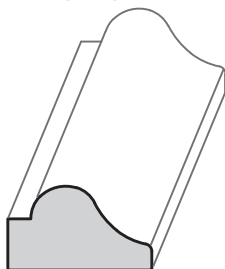
PM 7
5/8" x 1-1/4"
CA, CH, PO



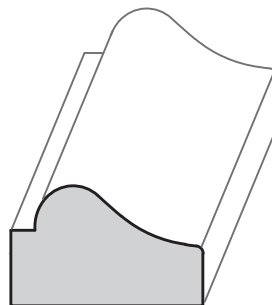
PM 8
1/2" x 1-1/2"
CA, PO



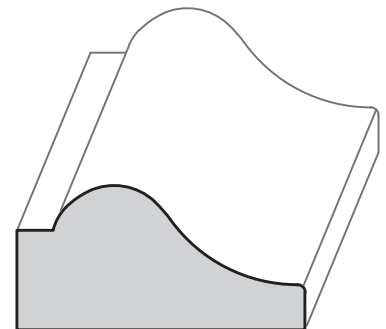
PM 9
3/4" x 1-1/2"
CA, PO



PM 10
7/16" x 3/4"
CA, CH, HK*, HM, PO,
RO*, SM*, WA*, WO

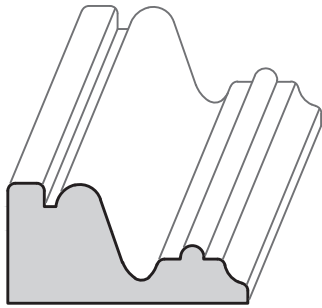


PM 11
5/8" x 1"
CA, PO

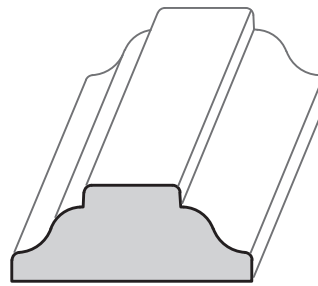


PM 12
3/4" x 1-1/2"
CA, PO

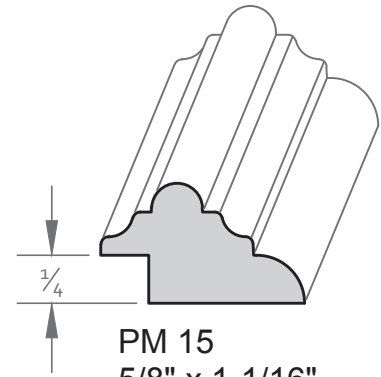
PLANT-ONS AND PANEL MOLDS



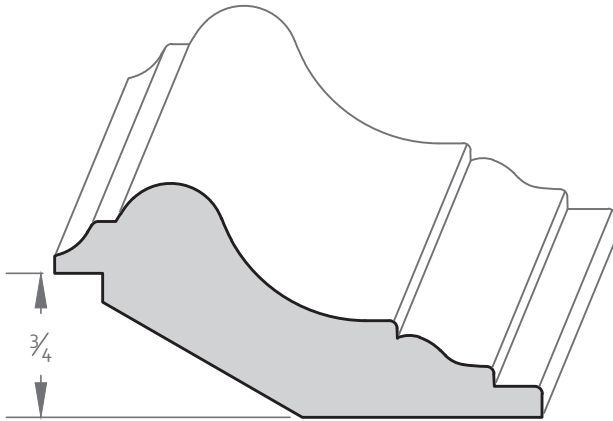
PM 13
 5/8" x 1-1/4"
 Non-Stock
 RO*



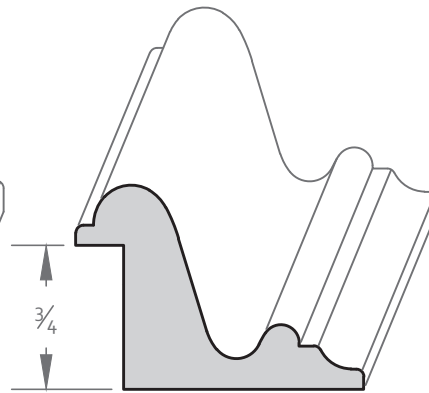
PM 14
 1/2" x 1-1/4"
 PO, RO*



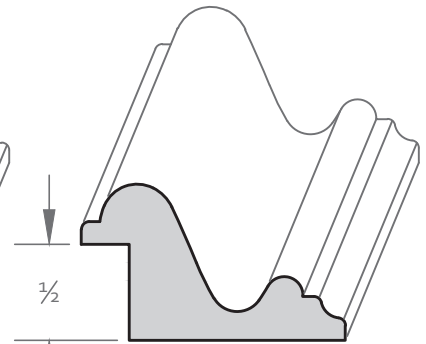
PM 15
 5/8" x 1-1/16"
 CA, CH, HM, PO



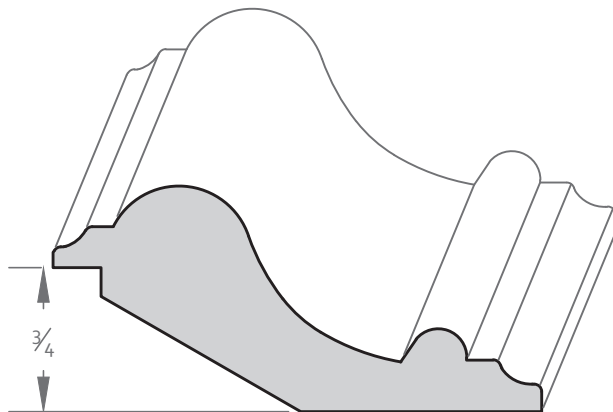
PM 16
 3/4" x 2-5/8"
 CA*, PO*



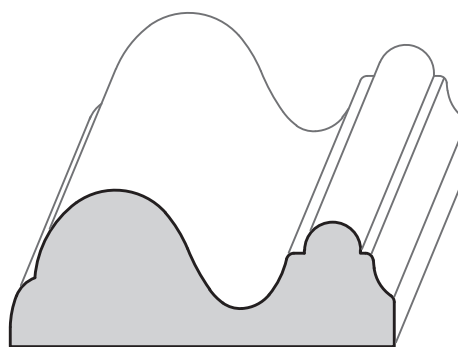
PM 17
 1-1/16" x 1-1/2"
 CA, HM*, PO



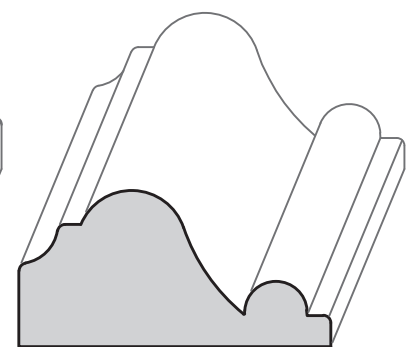
PM 18
 13/16" x 1-3/8"
 CA, CH, PO



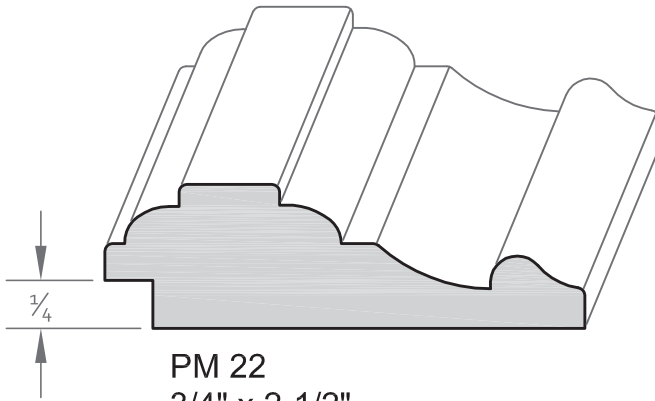
PM 19
 3/4" x 2-5/8"
 PO



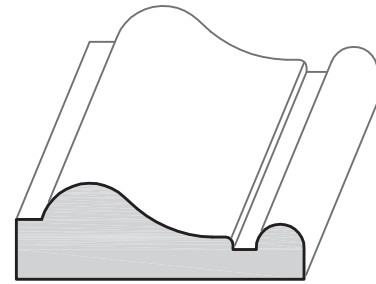
PM 20
 13/16" x 2"
 Non-Stock



PM 21
 13/16" x 1-5/8"
 PO



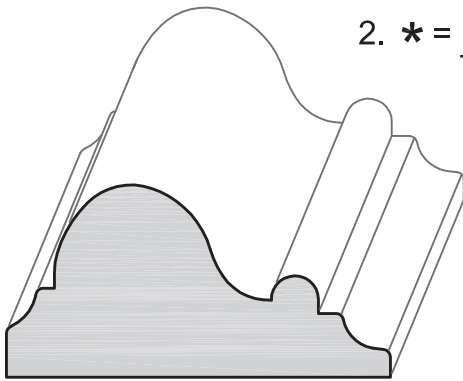
PM 22
3/4" x 2-1/2"
PO



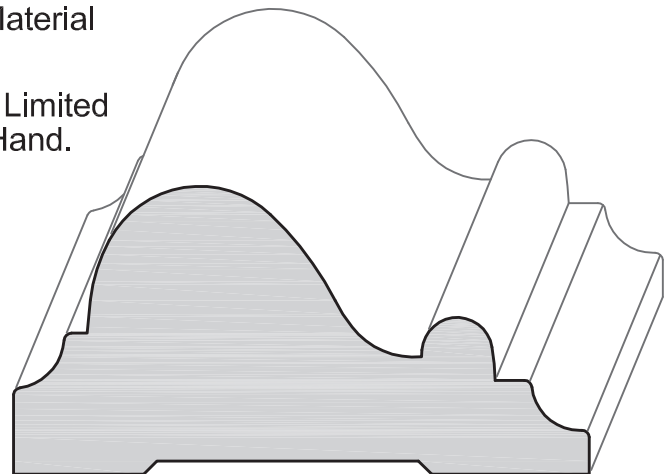
PM 23
1/2" x 1-1/2"
Non-Stock

Notes:

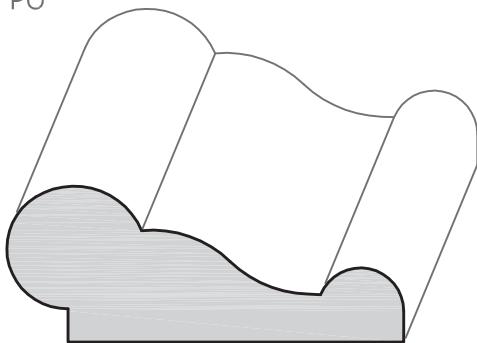
1. See Page 1 For Material Species Key.
2. * = Discontinued, Limited To Stock On Hand.



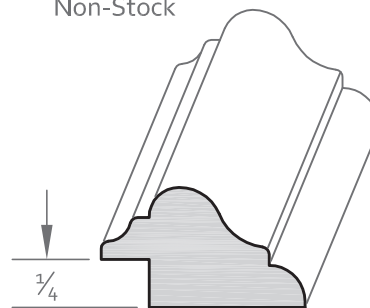
PM 24
1" x 2"
PO



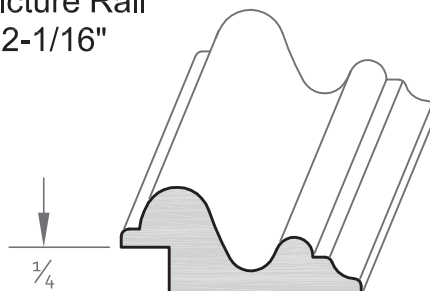
PM 25
1-1/2" x 3"
Non-Stock



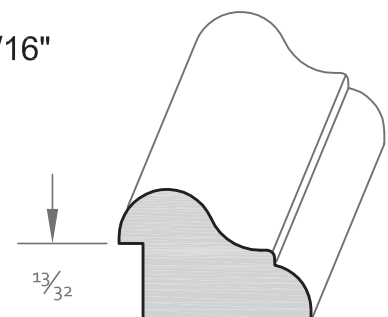
PM 26 Picture Rail
13/16" x 2-1/16"
Non-Stock



PM 27
5/8" x 1-1/16"
CA, CH, PO

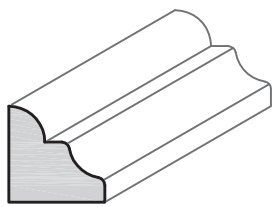


PM 28
9/16" x 1-1/4"
CA, PO, RO*

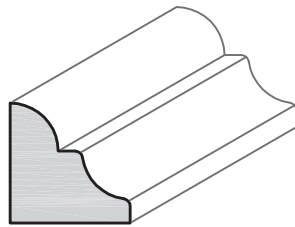


PM 29
11/16" x 1"
CA, PO

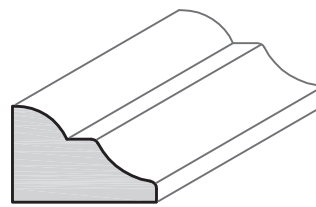
CORNERS



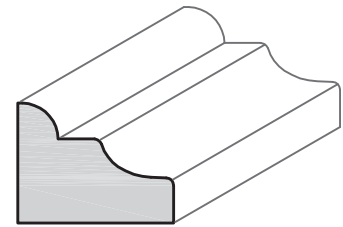
CORNER 1
1/2" X 1/2"
CA, CH*, HM*, PO, RO*



CORNER 2
5/8" x 5/8"
CA, CH*, HM*, PO



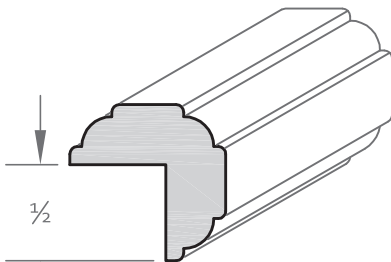
CORNER 3
1/2" X 3/4"
CA, PO



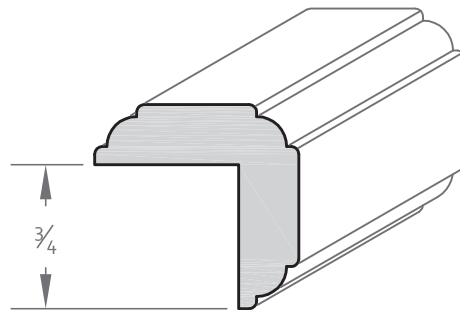
CORNER 10
5/8" x 13/16"
CA, HM*, PO, RO*

Notes:

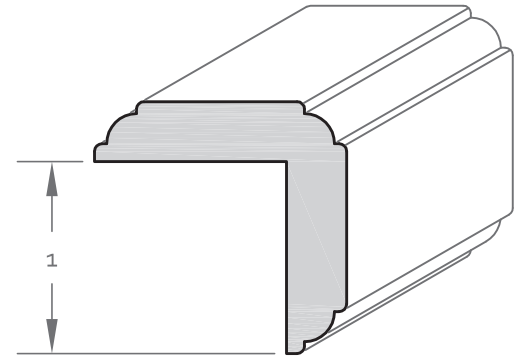
1. See Page 1 For Material Species Key.
2. * = Discontinued, Limited To Stock On Hand.



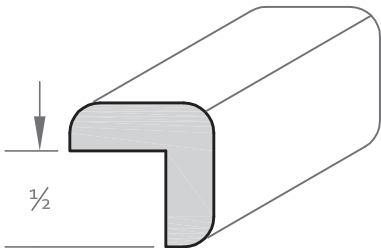
CORNER 4
13/16" x 13/16"
Non-Stock
CA*, CH*, HM*, PO*, RO*



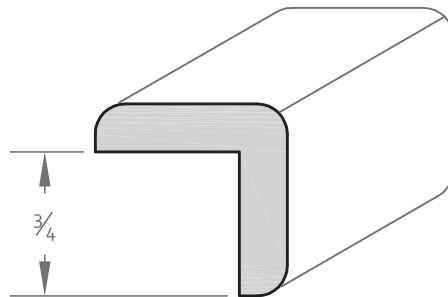
CORNER 5
1-1/16" x 1-1/16"
CA, PO



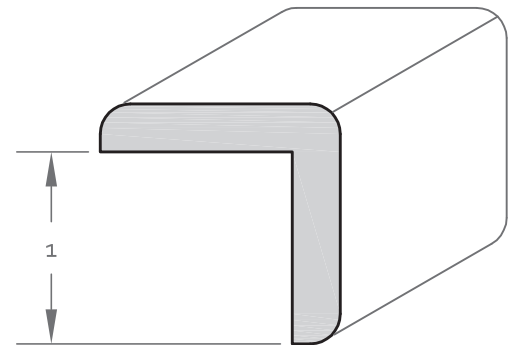
CORNER 8
1-5/16" x 1-5/16"
Non-Stock



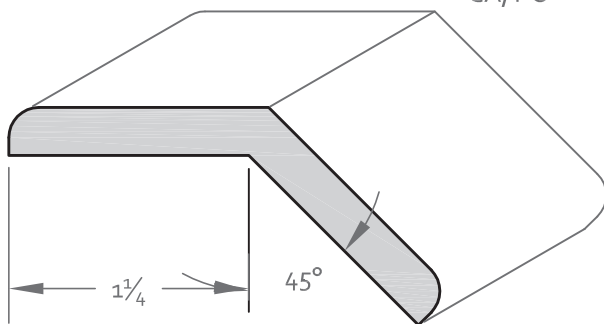
CORNER 6
3/4" X 3/4"
CA, PO



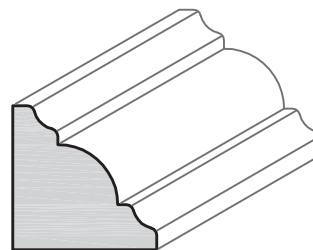
CORNER 7
1" X 1"
CA, PO



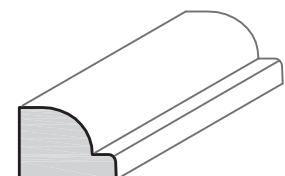
CORNER 9 (90°)
1-1/4" x 1-1/4"
CA, CH, HM, HK, PO, RO, WA, WO



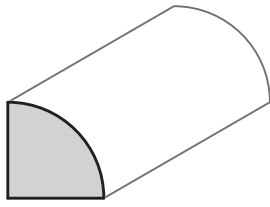
CORNER 9 (135°)
3/4" x 2-1/2"
CA, CH*, HM, HK*, KA, PO, RO*



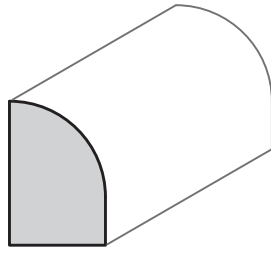
CORNER 11
3/4" x 3/4"
Non-Stock



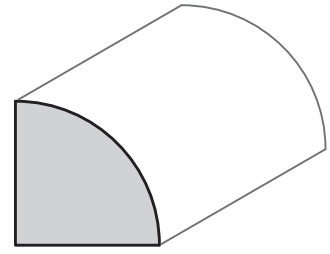
CORNER 13
3/8" x 1/2"
CA, CH*, PO, RO*



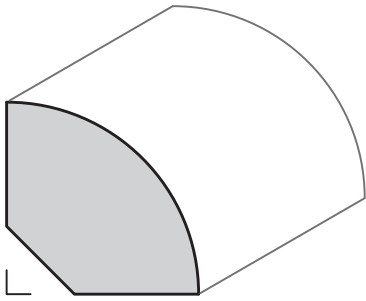
QR 1
1/2" X 1/2"
CA, HM, PO, RO



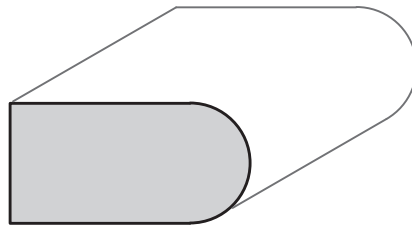
QR 2
1/2" X 3/4"
CA, PO, RO



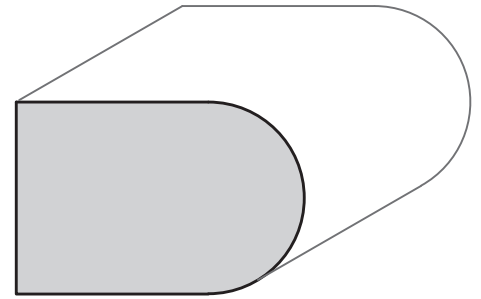
QR 3
3/4" x 3/4"
CA, HM, PO



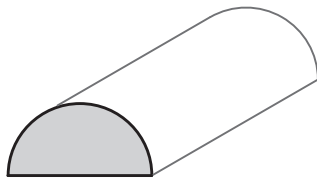
QR 4 (1" x 1")
3/4" x 1-7/16"
CA, PO, RO*



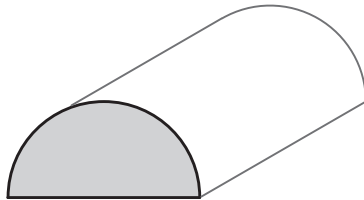
BULLNOSE 1
5/8" X 1-1/4"
CA, CH*, PO



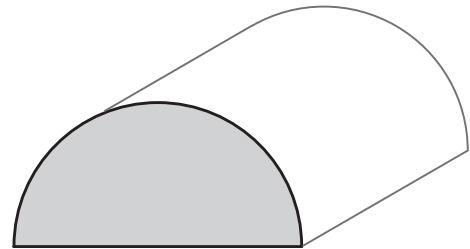
BULLNOSE 2
1" X 1-1/2"
Non Stock



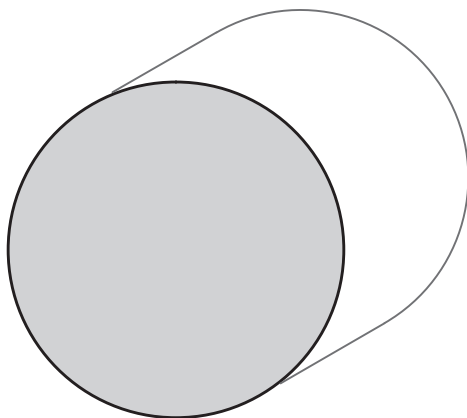
HR 1
3/8" x 3/4"
CA, CH*, HM, PO



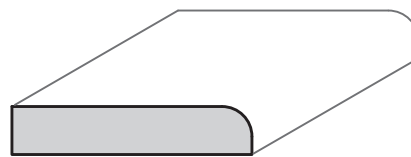
HR 2
1/2" x 1"
CA, CH*, PO



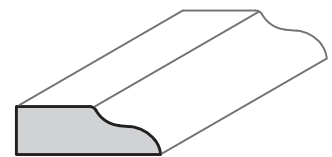
HR 3
3/4" x 1-1/2"
Non Stock
CA*, HM*



FULL ROUNDS
1", 1-1/4", 1-1/2", 1-3/4", 2"
Non-Stock

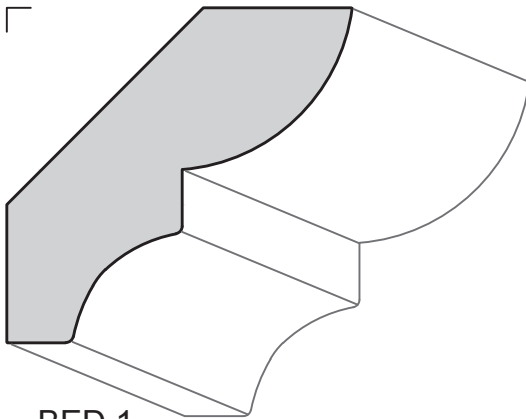


SCRIBE 1
1/4" X 1-1/4"
CA, CH, HM, HK,
PO, RO, WA, WO

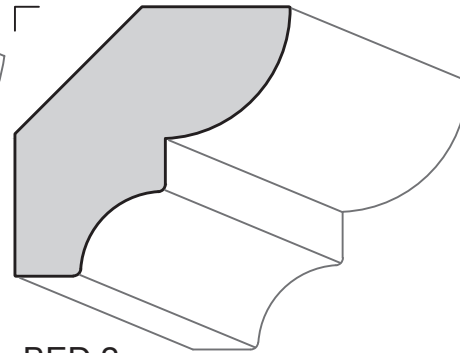


SCRIBE 2
1/4" X 3/4"
CA, CH, HM, PO, RO

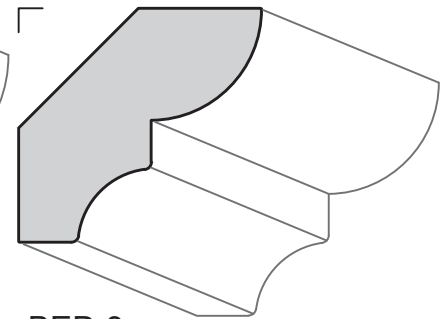
BED MOLD, NOSING, CORNICE



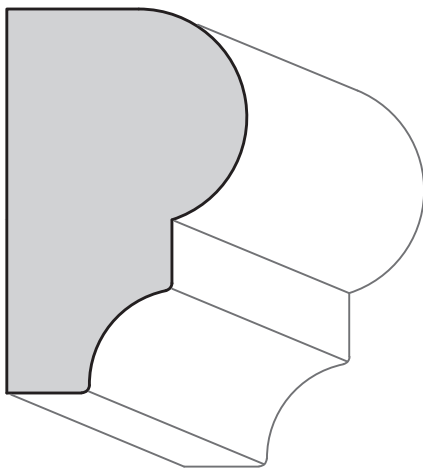
BED 1
3/4" x 2-1/2"
PO, RO*



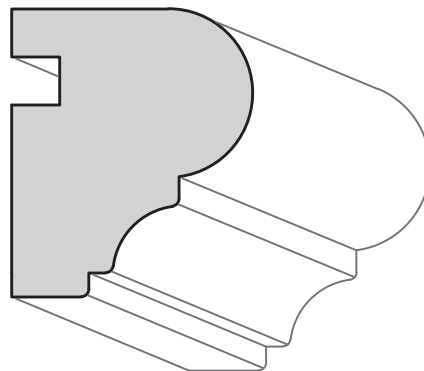
BED 2
3/4" x 2"
CH*, PO, RO*



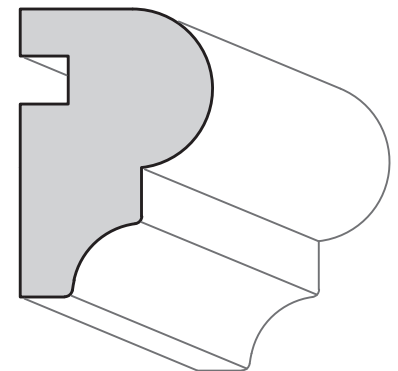
BED 3
5/8" x 1-3/4"
CA, PO



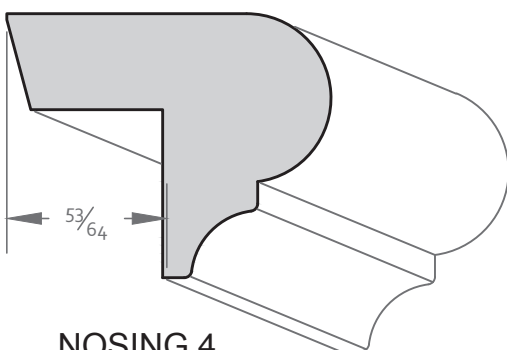
NOSING 1
1-1/4" x 2"
Non-Stock



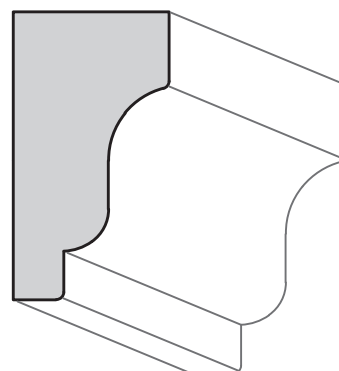
NOSING 2
1-1/4" x 1-1/2"
CA, HM, PO



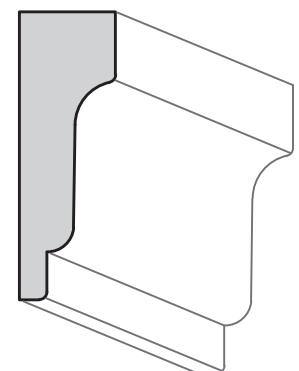
NOSING 3
1" x 1-1/2"
CA, PO



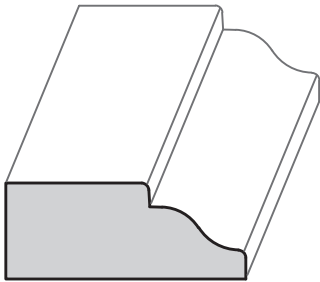
NOSING 4
1-3/8" x 1-11/16"
CA, PO



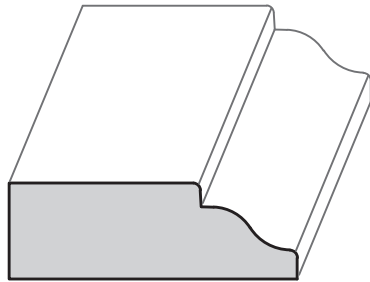
CORNICE 1
13/16" x 1-1/2"
CA, PO, RO*



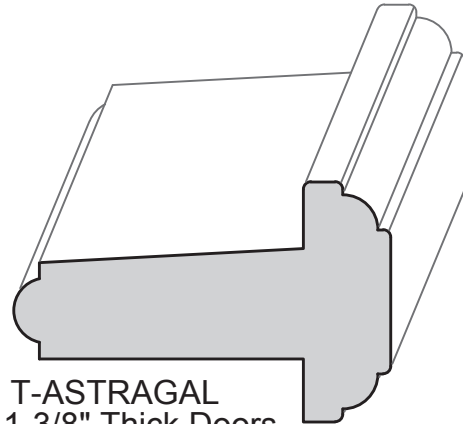
CORNICE 2
1/2" x 1-1/2"
CA, PO



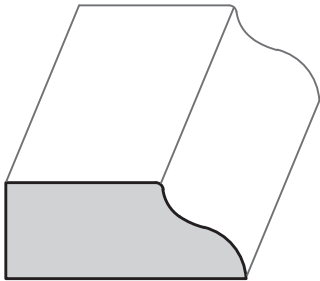
STOP 1
1/2" X 1-1/4"
PO, RO



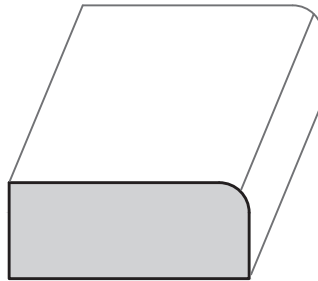
STOP 2
1/2" X 1-1/2"
PO, RO*



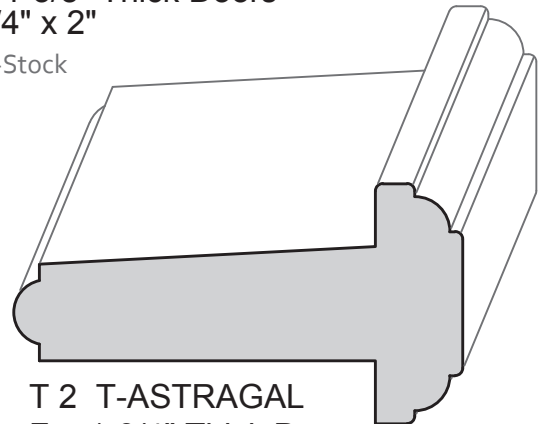
T 1 T-ASTRAGAL
For 1-3/8" Thick Doors
1-1/4" x 2"
Non-Stock



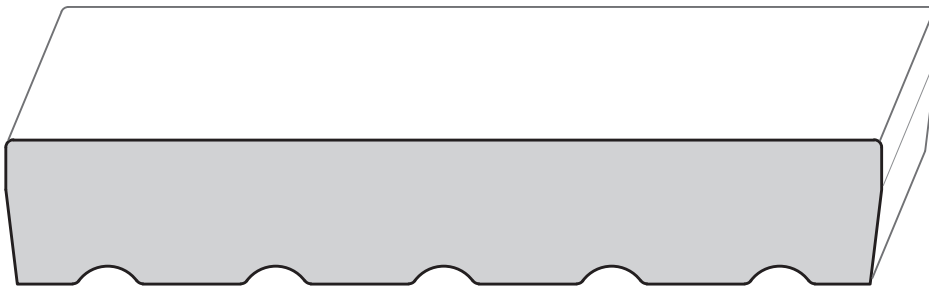
STOP 4
1/2" X 1-1/4"
Non-Stock



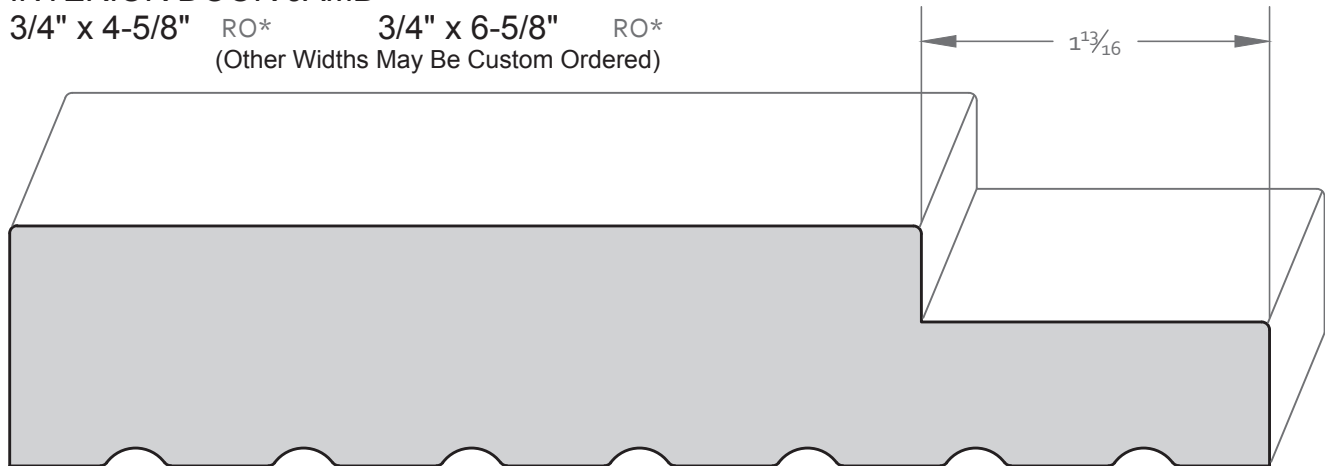
STOP 7
1/2" X 1-1/4"
CA, CH, HM, PO, RO, VGFir*



T 2 T-ASTRAGAL
For 1-3/4" Thick Doors
1-1/4" x 2-3/8"
Non-Stock

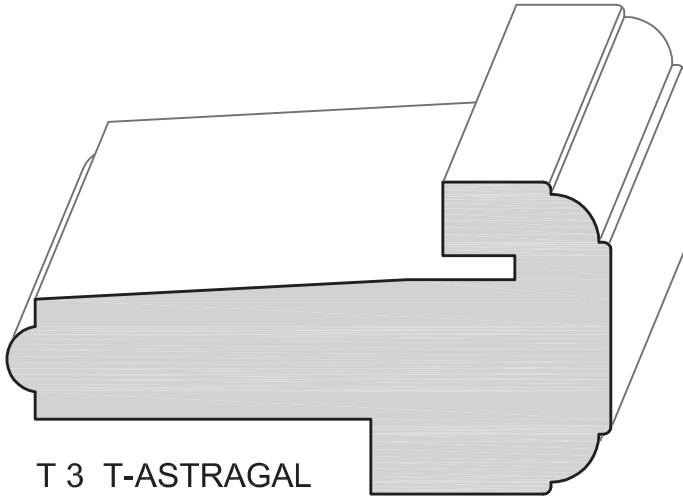


INTERIOR DOOR JAMB
3/4" x 4-5/8" RO* 3/4" x 6-5/8" RO*
(Other Widths May Be Custom Ordered)

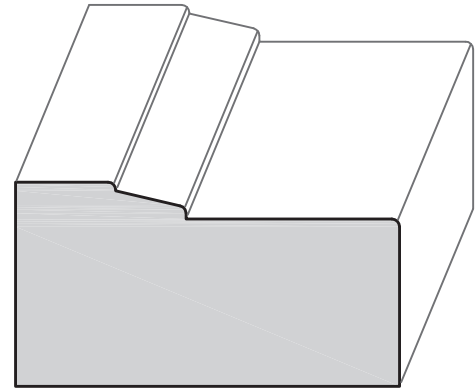


TYPICAL INTERIOR RABBETED JAMB
1-1/4" x Width Varies Per Application Non-Stock

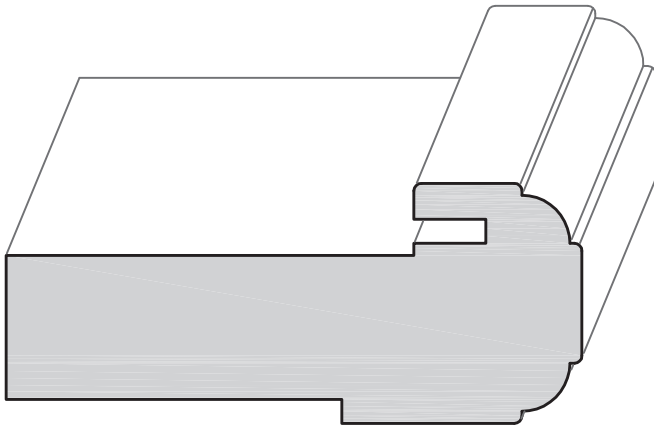
EXTERIOR JAMB PARTS



T 3 T-ASTRAGAL
 For 1-3/4" Thick Doors
 1-5/8" x 3-5/32"
 Non-Stock



BRICKMOLD 1
 1-1/16" X 2"
 Non-Stock

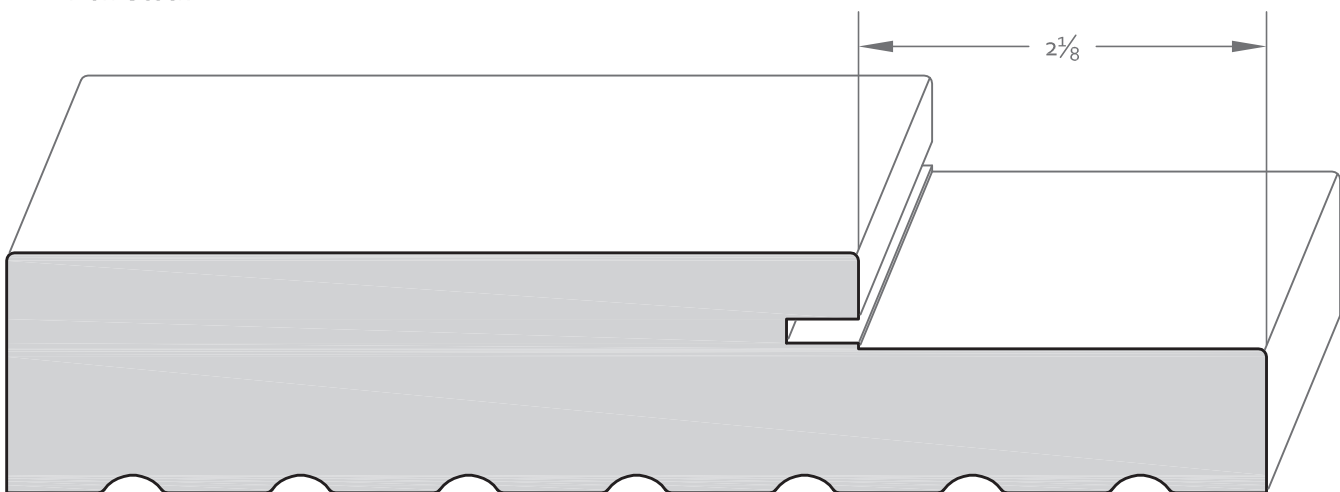


T 4 T-ASTRAGAL
 For 1-3/4" Thick Doors
 1-1/4" x 3"
 Non-Stock

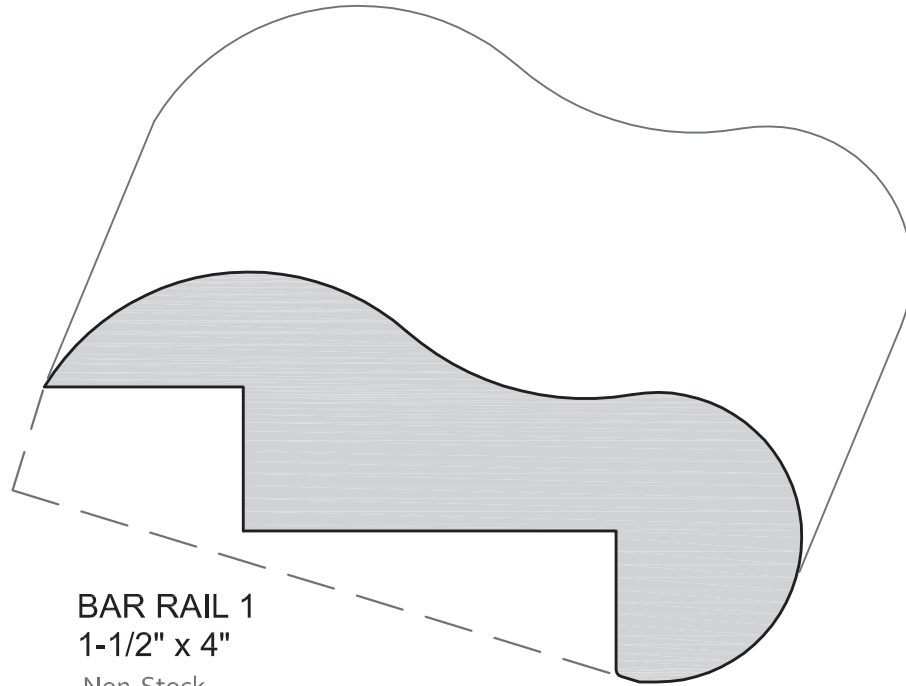
Notes:

1. See Page 1 For Material Species Key.
2. * = Discontinued, Limited To Stock On Hand.

1/8" x 3/8" Continuous Saw Kerf Typical
 To Accept Weather Stripping

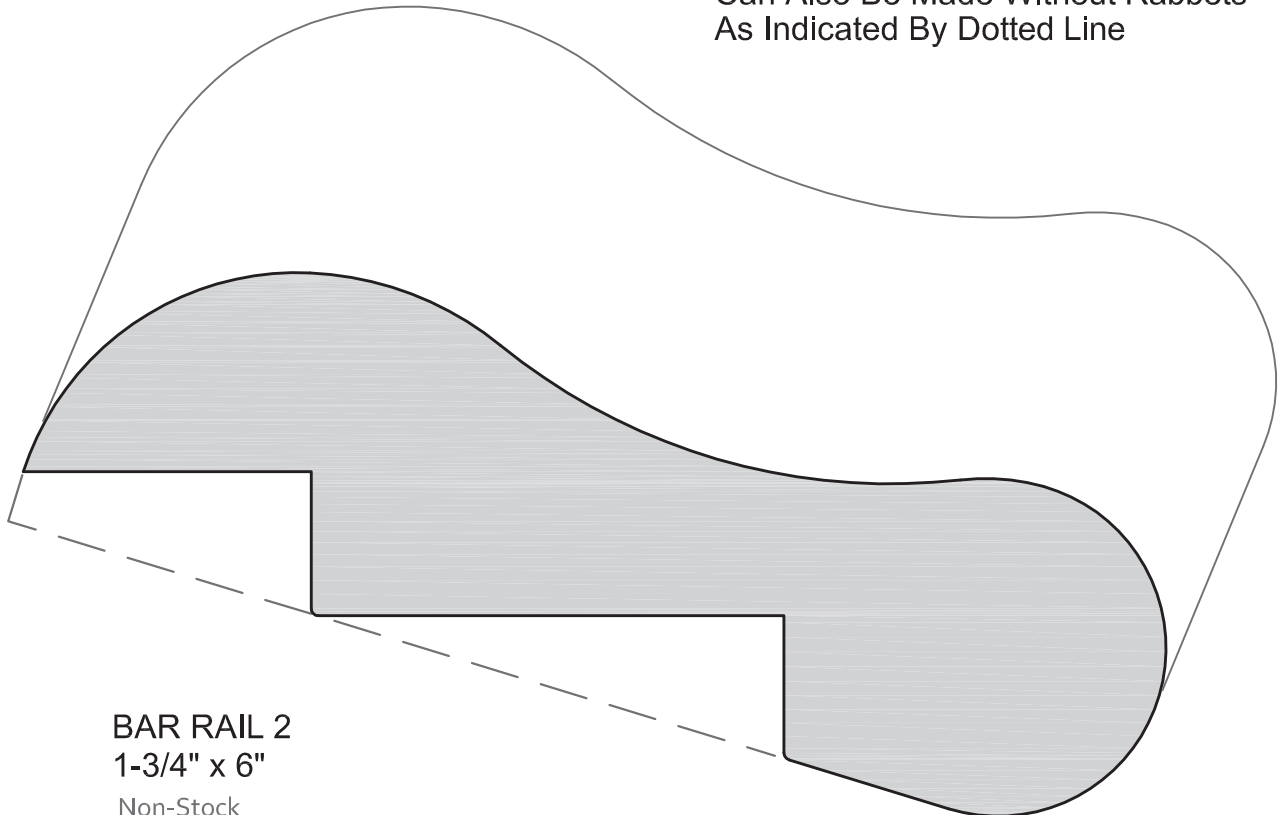


TYPICAL EXTERIOR DOOR JAMB
 1-1/4" x Width Varies Per Application
 Non-Stock



BAR RAIL 1
1-1/2" x 4"
Non-Stock

Can Also Be Made Without Rabbets
As Indicated By Dotted Line

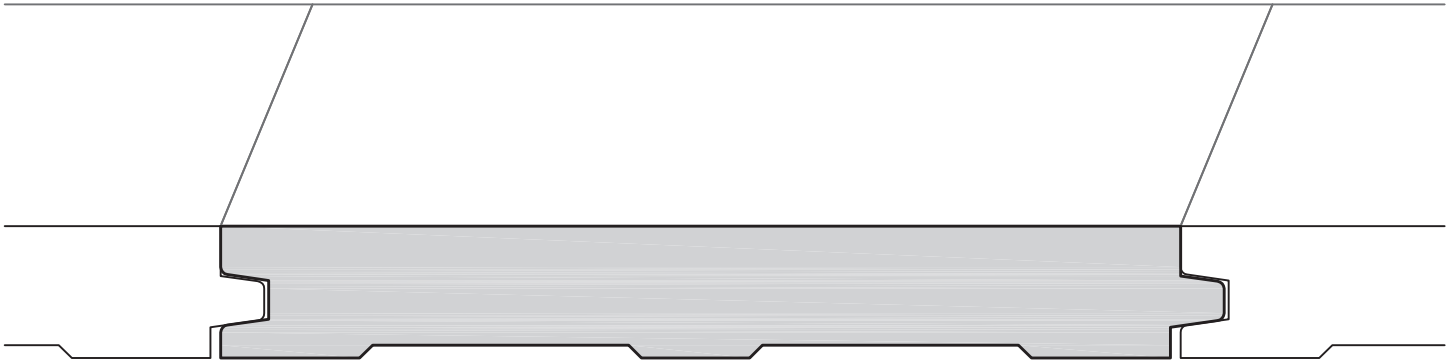


BAR RAIL 2
1-3/4" x 6"
Non-Stock

Notes:

1. See Page 1 For Material Species Key.
2. * = Discontinued, Limited To Stock On Hand.

TONGUE AND GROOVE



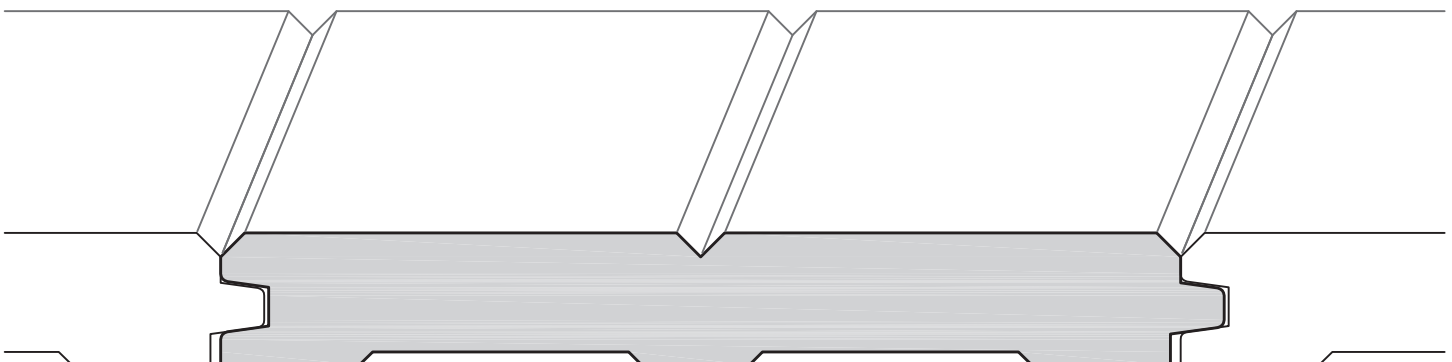
T & G 1
5/8" To 3/4" x Various Widths
Non-Stock



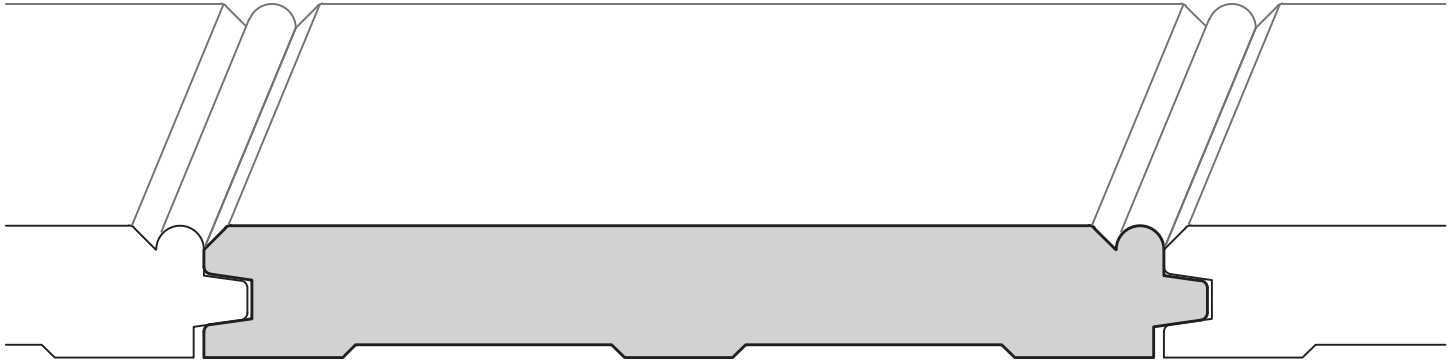
T & G 2
5/8" To 3/4" x Various Widths
Non-Stock

Notes:

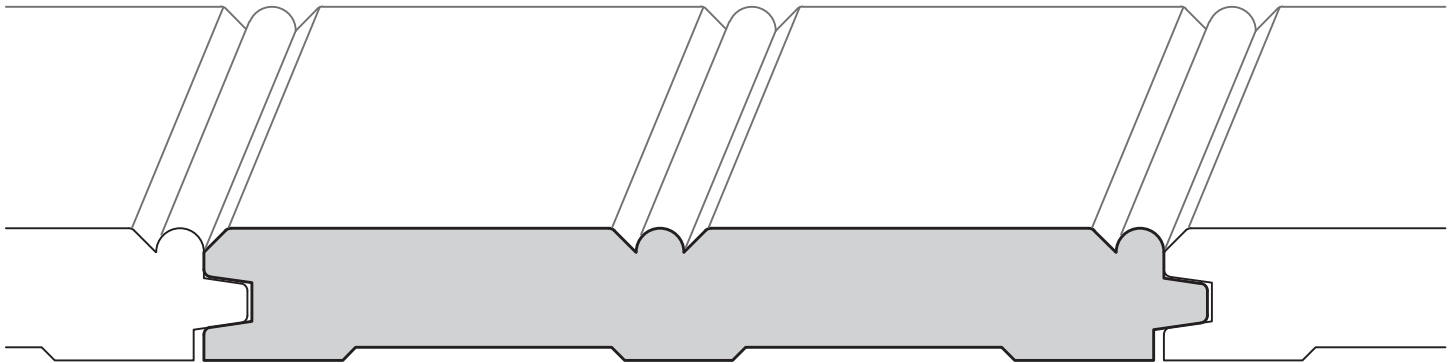
1. See Page 1 For Material Species Key.
2. * = Discontinued, Limited To Stock On Hand.



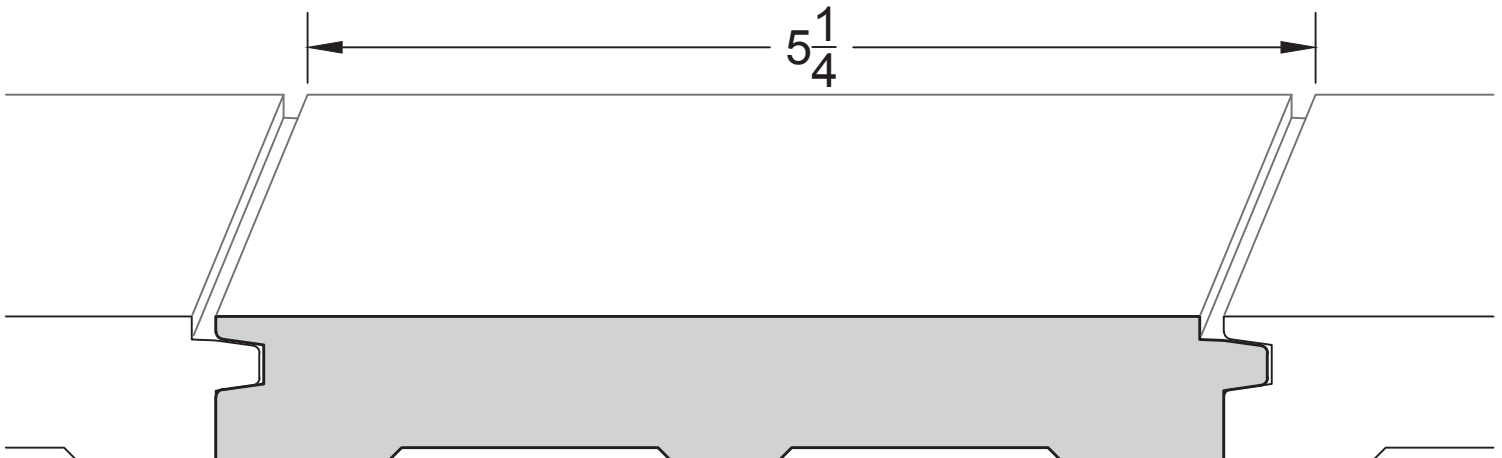
T & G 2 (WITH OPTIONAL CENTER V-GROOVE)
5/8" To 3/4" x Various Widths
Non-Stock



T & G 3
5/8" To 3/4" x Various Widths
Non-Stock



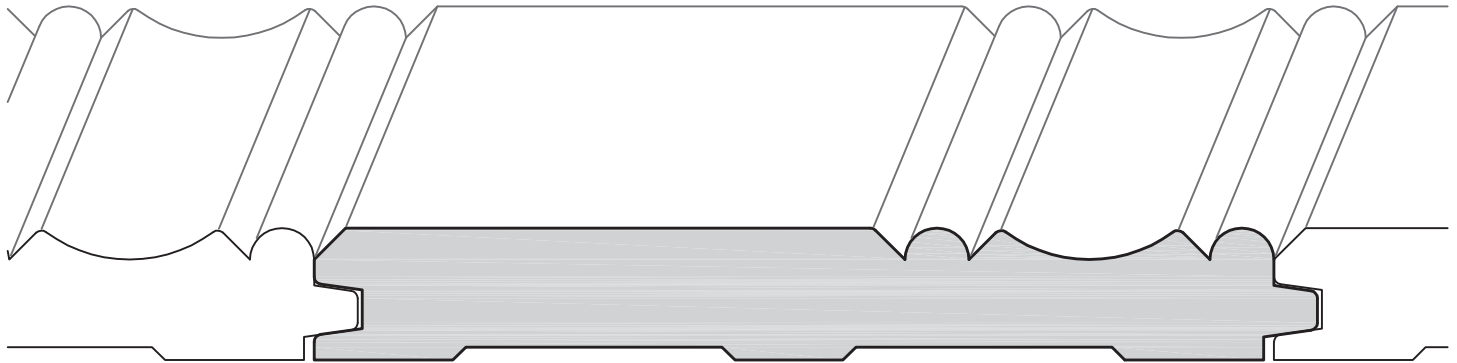
T & G 3 (WITH OPTIONAL CENTER BEAD)
5/8" To 3/4" x Various Widths
Non-Stock



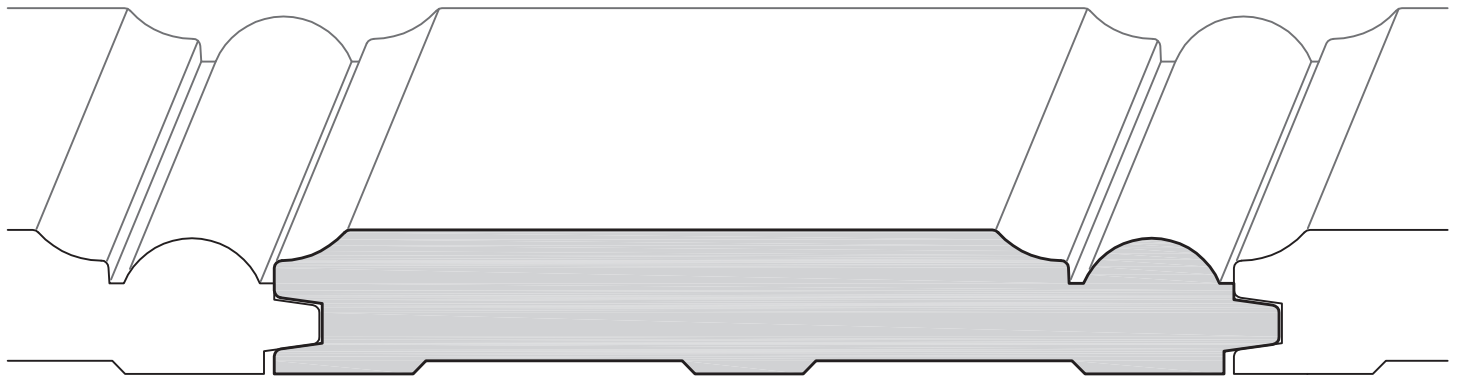
FINE LINE T & G (1/8" X 1/8" GROOVE) 3/4" x 5-1/2" (5-1/4" Face)
PO

Also Custom Sizes = 1/2" To 3/4" x Various Widths
Non-Stock

TONGUE AND GROOVE



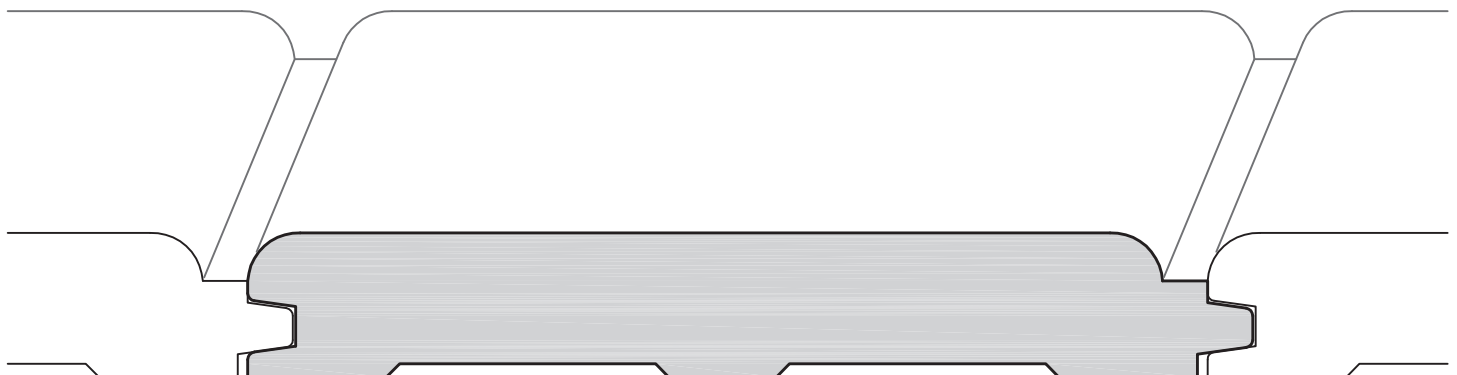
T & G 4
5/8" To 3/4" x Various Widths
Non-Stock



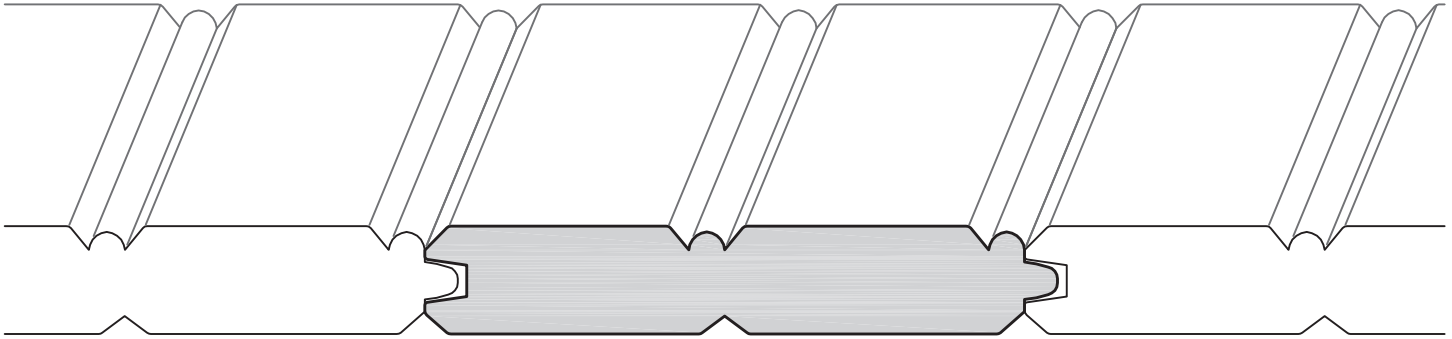
T & G 5
3/4" x Various Widths
Non-Stock

Notes:

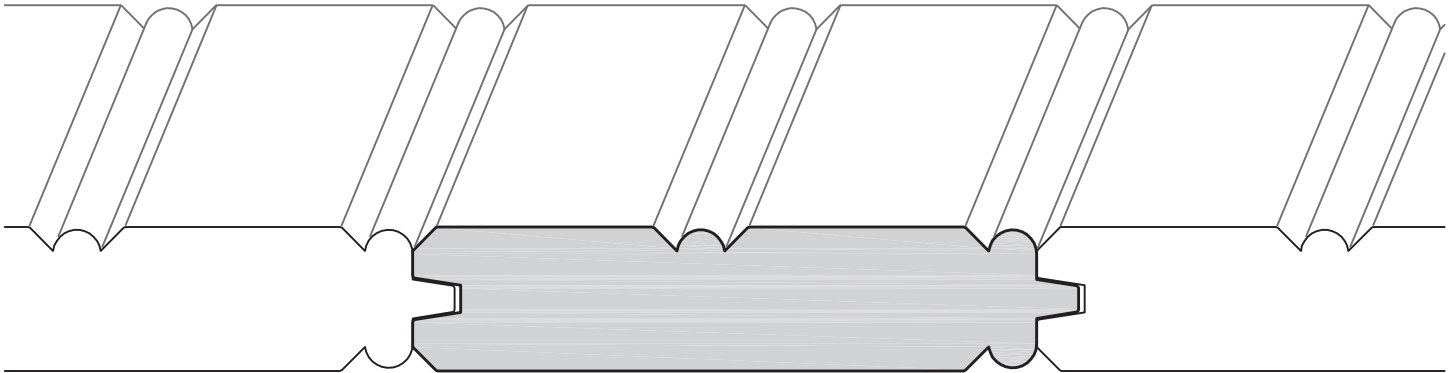
1. See Page 1 For Material Species Key.
2. * = Discontinued, Limited To Stock On Hand.



T & G 9
3/4" x Various Widths
Non-Stock



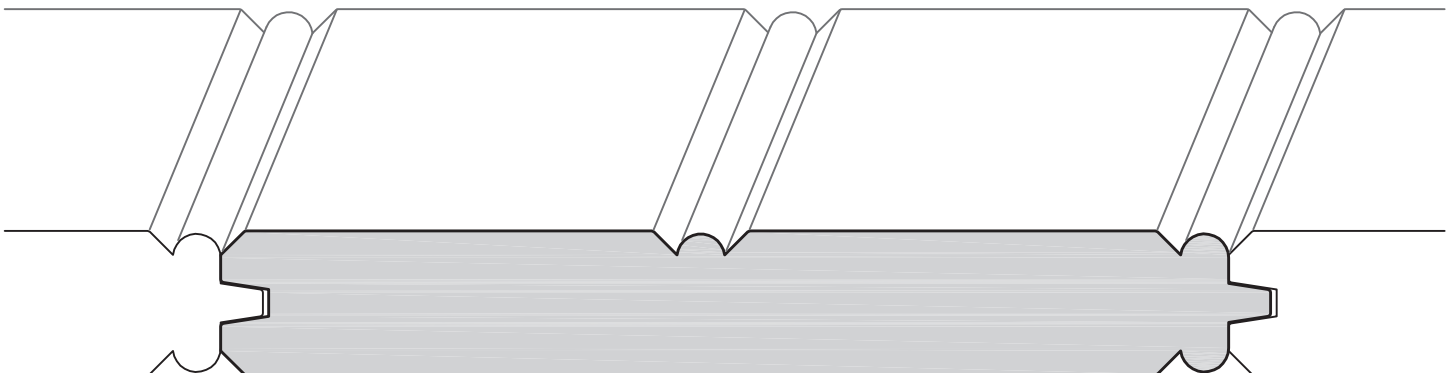
T & G 11
9/16" x 3-5/16" (3-1/8" Face Dim.)
"C" Grade Mixed Grain Hemlock



T & G 353
3/4" X 3-1/2" (3-1/4" Face Dim.)
Non-Stock

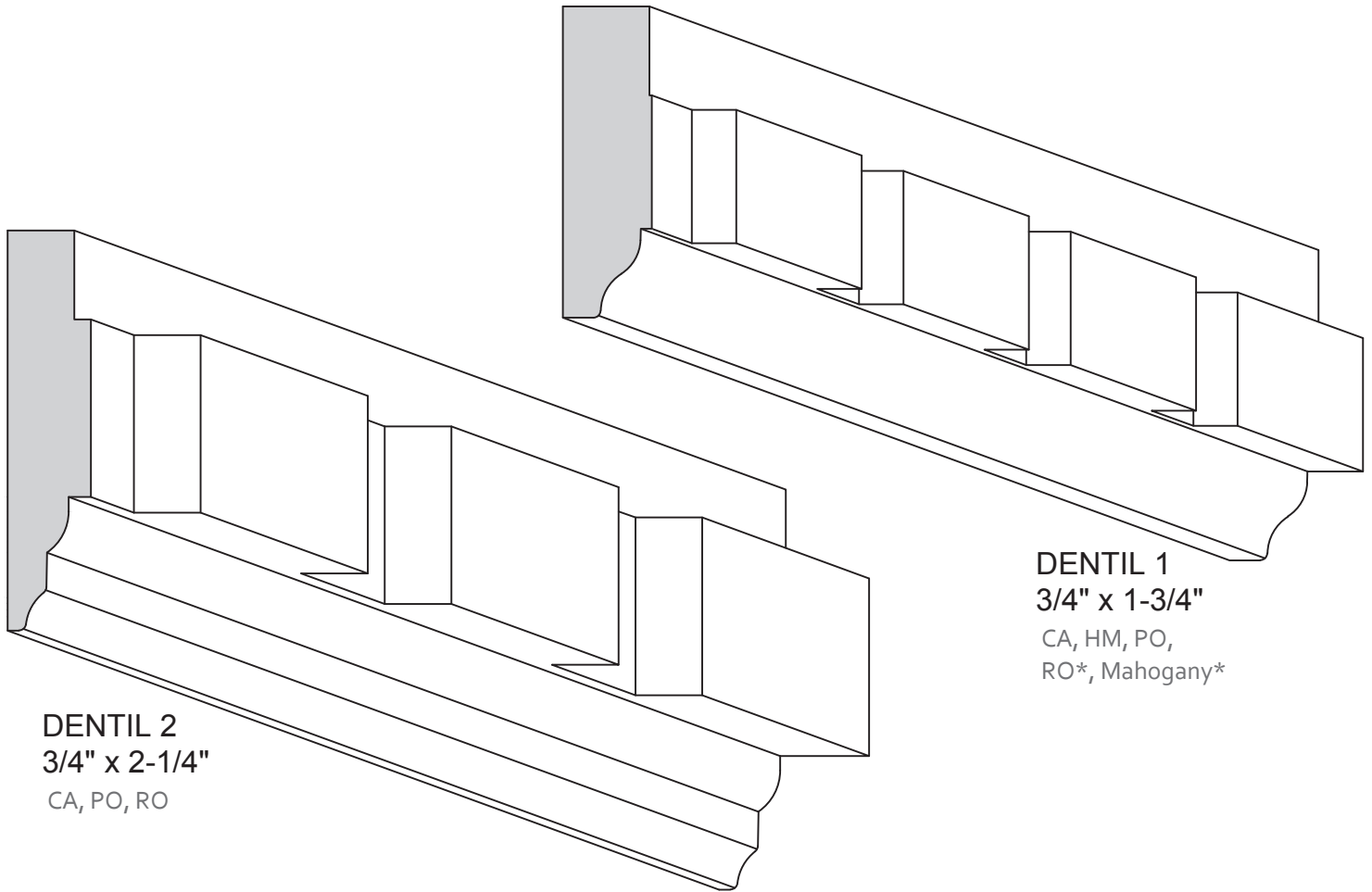
Notes:

1. See Page 1 For Material Species Key.
2. * = Discontinued, Limited To Stock On Hand.



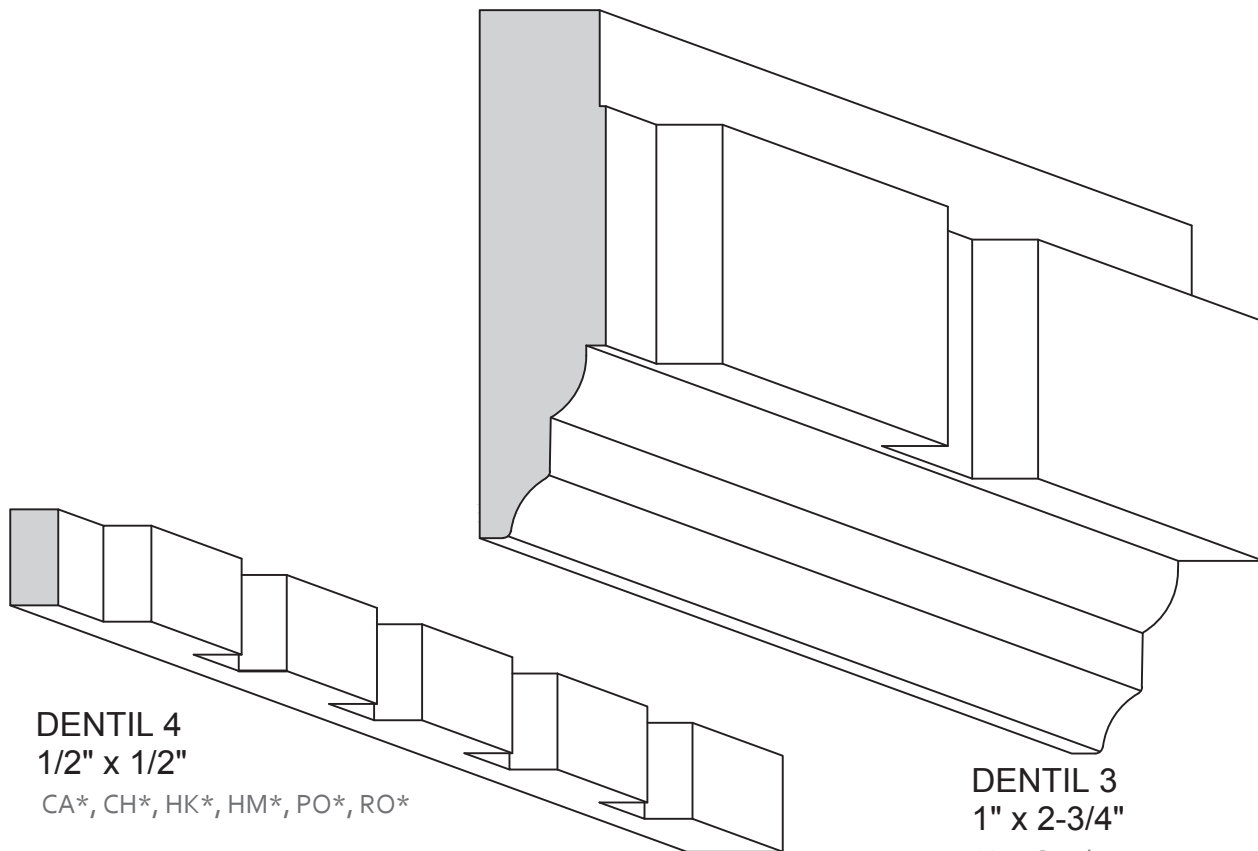
T & G 553
3/4" X 5-1/2" (5-1/4" Face Dim.)
CA, KA

DENTIL MOLD



DENTIL 1
3/4" x 1-3/4"
CA, HM, PO,
RO*, Mahogany*

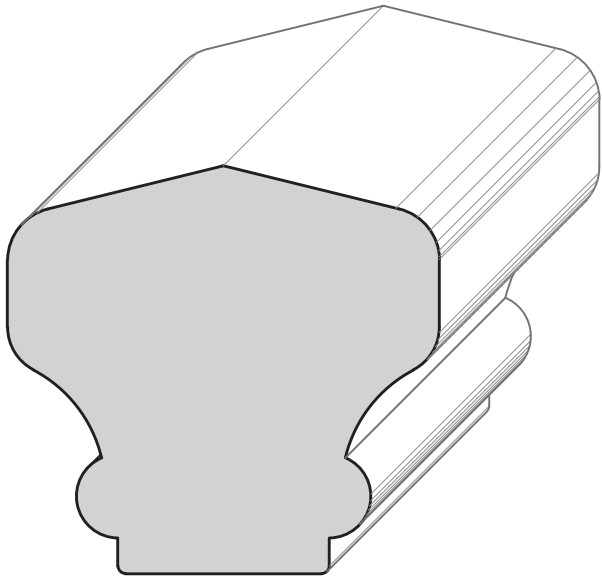
DENTIL 2
3/4" x 2-1/4"
CA, PO, RO



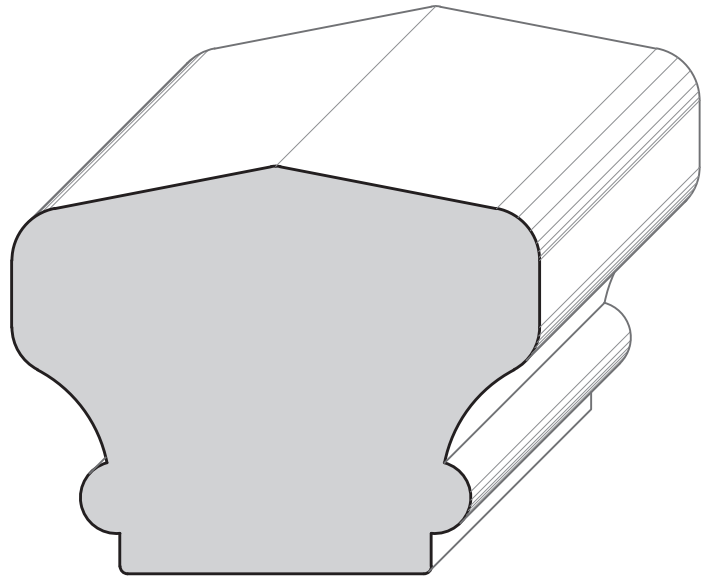
DENTIL 3
1" x 2-3/4"
Non-Stock

DENTIL 4
1/2" x 1/2"
CA*, CH*, HK*, HM*, PO*, RO*

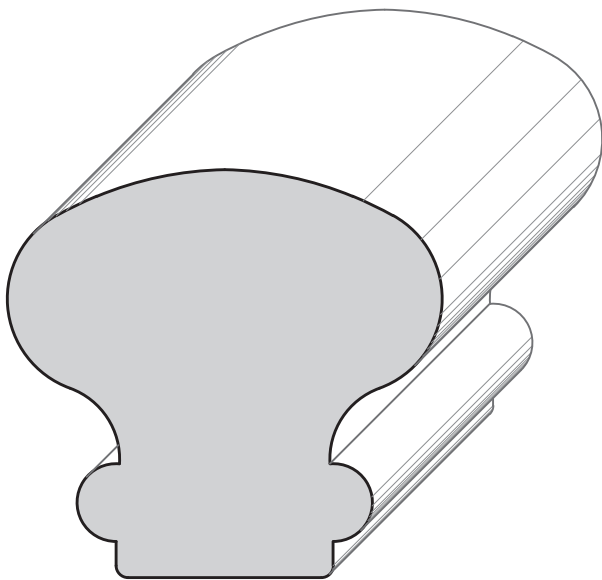
HAND RAILS



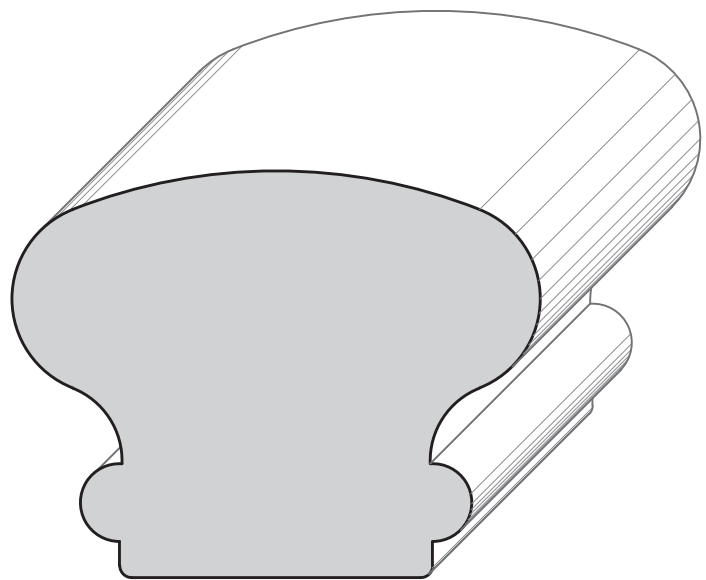
BR 01
2-1/8" x 2-1/4"
Non-Stock



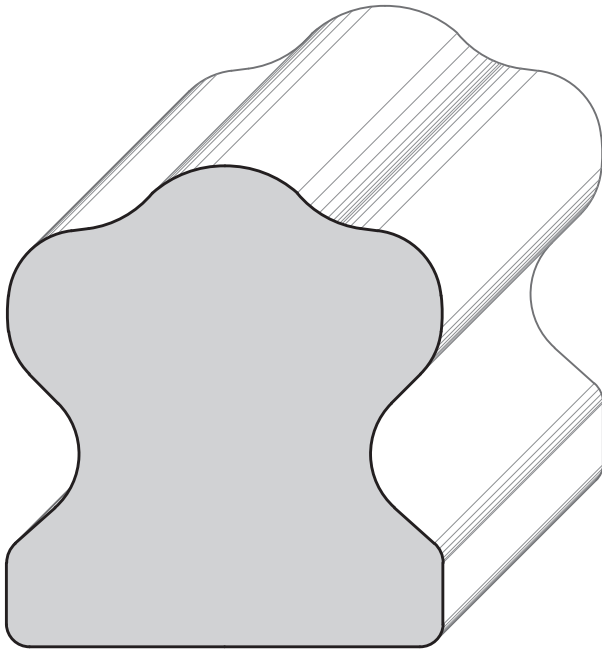
BR 02
2-1/8" x 2-3/4"
CA, HK, KC, RO, SM, WO*



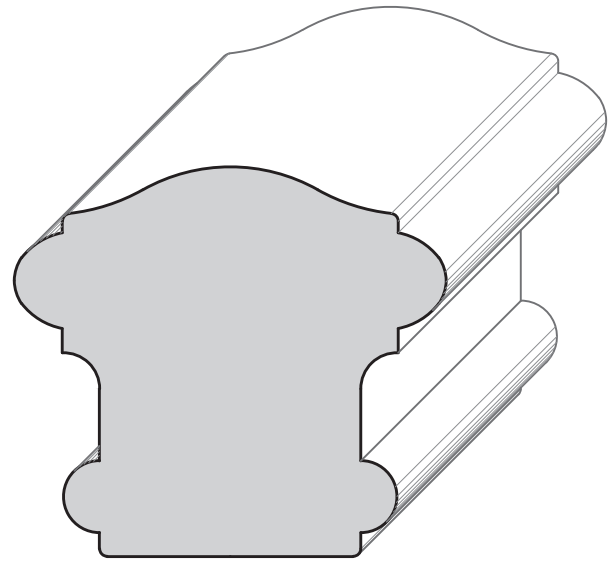
BR 03
2-1/8" x 2-1/4"
Non-Stock
CA*



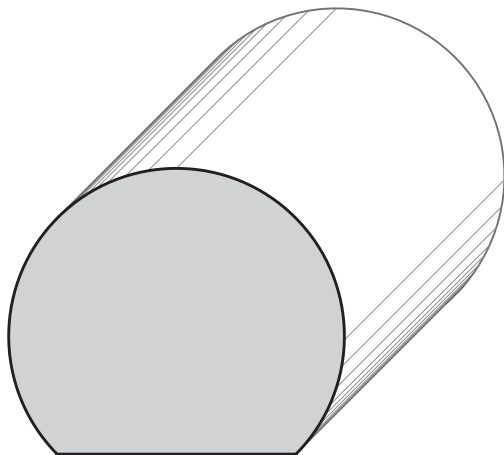
BR 04
2-1/8" x 2-3/4"
CA, HK, KC, RO, SM, WO*



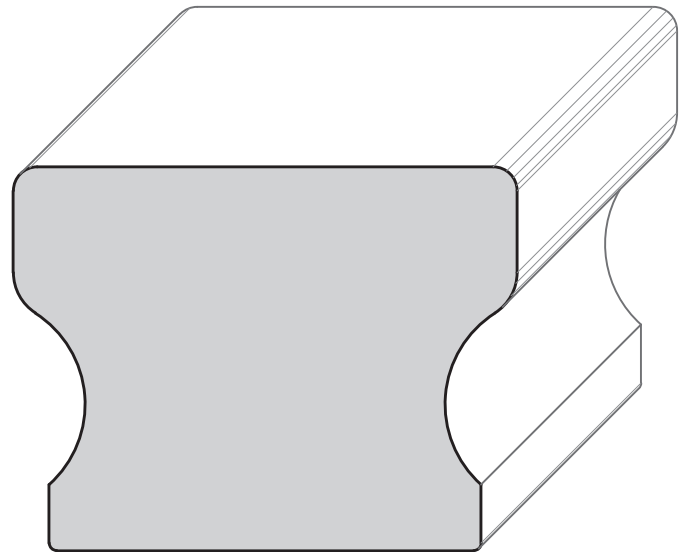
BR 05
2-1/2" x 2-1/4"
Non-Stock



BR 06
2-1/32" x 2-1/4"
Non-Stock



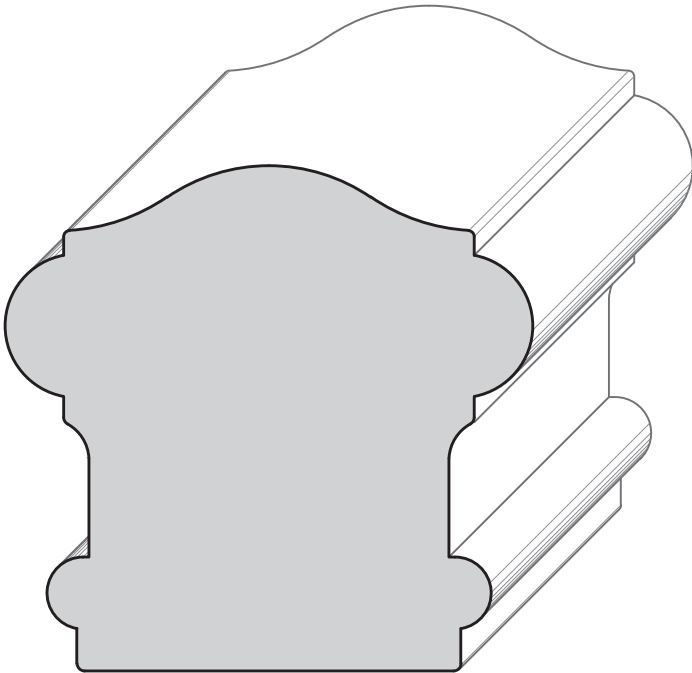
BR 07
1-1/2" x 1-3/4"
CA, PO, WO



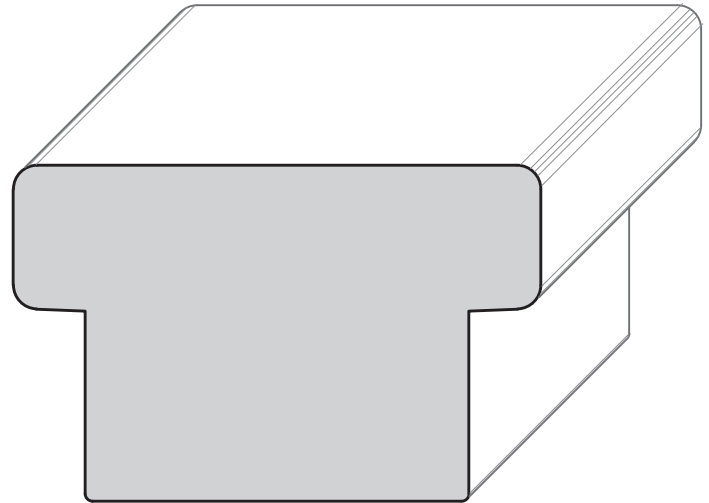
BR 08
2" x 2-5/8"
CA, SM, WO

NOTE : FITTINGS FOR THE BR07, BR08, BR22, AND BR30
RAILS ARE NOT STOCKED, HOWEVER THEY
CAN BE PRODUCED UPON REQUEST.
CONTACT OUR OFFICE FOR SPECIFICS.

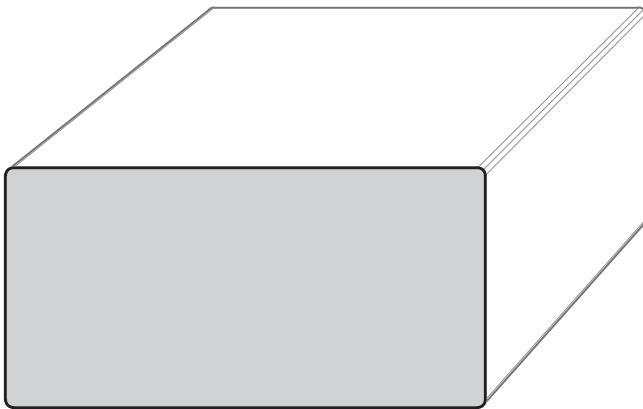
HAND RAILS



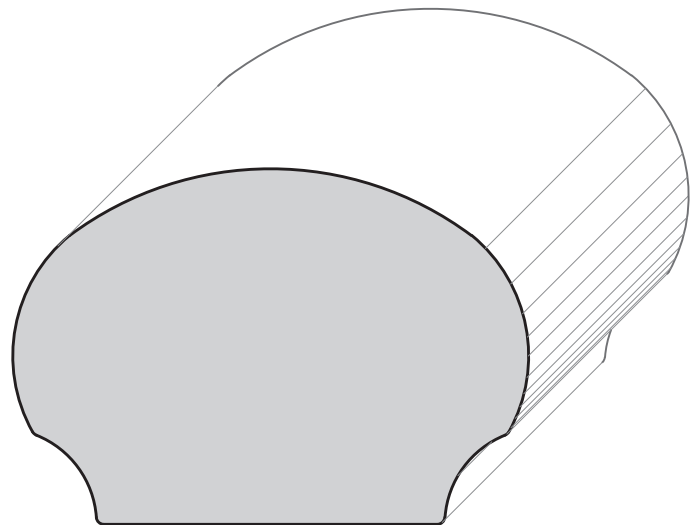
BR 10
2-5/8" x 2-3/4"
CA, HK, KC, RO, SM, WO



BR 12
1-3/4" x 2-3/4"
Non-Stock



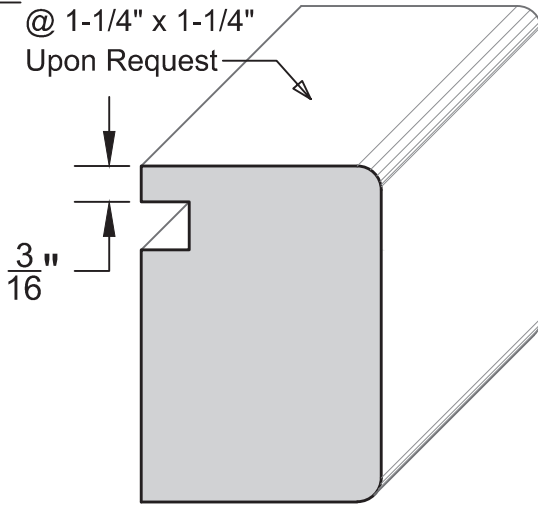
BR 22 - Eased Edge Rail
1-1/8" x 2" * picture not to scale
CA, WO



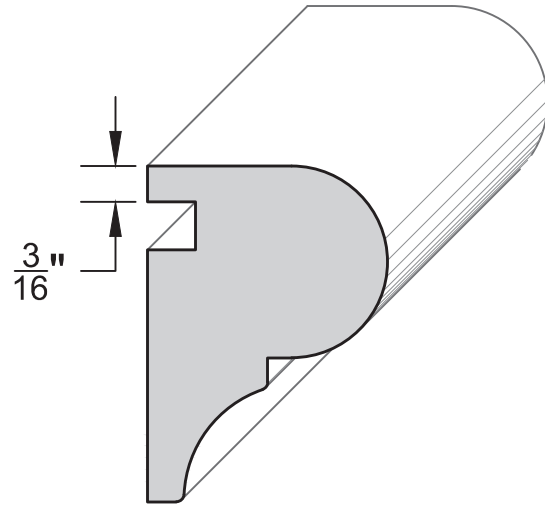
BR 30
1-55/64" x 2-11/16"
CA, SM, WO

NOTE : FITTINGS FOR THE BR07, BR08, BR22, AND BR30
RAILS ARE NOT STOCKED, HOWEVER THEY
CAN BE PRODUCED UPON REQUEST.
CONTACT OUR OFFICE FOR SPECIFICS.

NOTE : Also Available
@ 1-1/4" x 1-1/4"
Upon Request

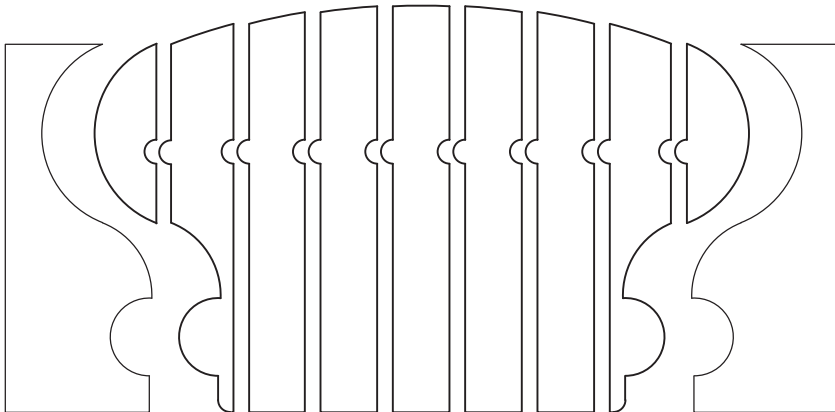


S4S TREAD CAP NOSING
1-1/4" x 1-3/4"
CA, WO



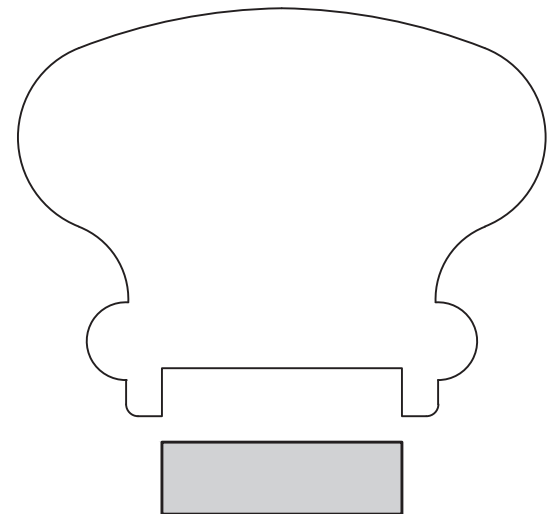
TREAD CAP NOSING
1-1/4" x 1-3/4"
CA, CH, HK, RO, SM, WA, WO

NOTE: THE BENDER AND THE FILLET TYPE HAND RAILS SHOWN BELOW ARE ALSO AVAILABLE IN MANY OF THE OTHER PROFILES AND IN A VARIETY OF WOOD SPECIES - REFER TO OUR STOCK LIST OR CALL THE OFFICE FOR A COMPLETE LIST.



BENDER RAIL
(SHOWN IN BR 04)
2-1/8" x 2-3/4"

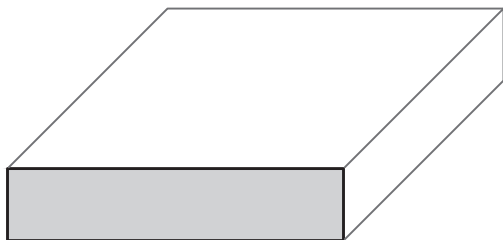
Non Stock - Limited To Stock On Hand



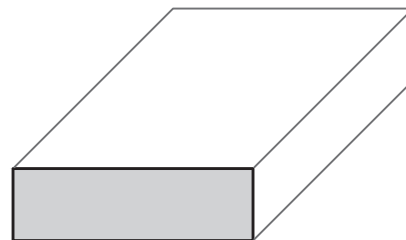
RAIL WITH FILLET
(SHOWN IN BR 04)

BR02, BR04, BR20 & BR21 ARE AVAILABLE WITH A 1/4" x 1 1/4" PLOW FOR FILLET F02.
BR05, BR10 & BR11 ARE AVAILABLE WITH A 1/4" x 1 3/4" PLOW FOR FILLET F01 PLEASE SPECIFY WHEN ORDERING.

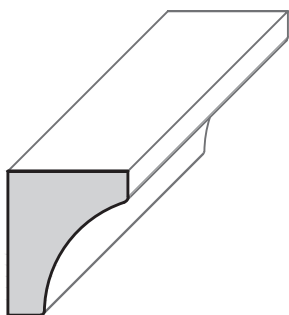
SHOE / FILLET / BALUSTERS



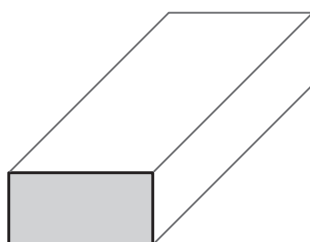
Fillet 01
 3/8" x 1-3/4"
 CA, HK, RO, SM, WO



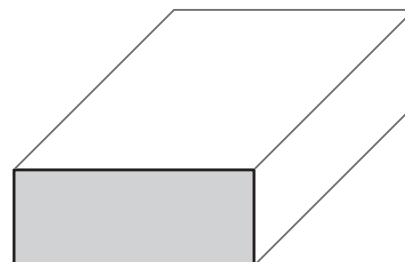
Fillet 02
 3/8" x 1-1/4"
 CA, HK, RO, SM, WO



TREAD COVE
 5/8" x 3/4"
 CA, CH, HK, PO, RO,
 SM, Sapele*, WA, WO
 Beech*, Birch*, Jatoba*



S4S Trim Band
 3/8" x 3/4"
 CA, PO, WO



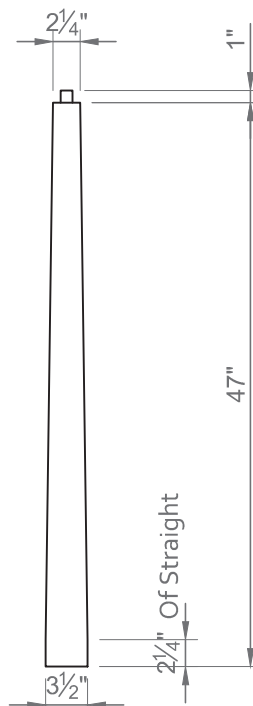
Base Wrap Trim
 1/2" x 1-1/4"
 CA, PO, WO



Baluster
 1-1/4" SQ. x 36"
 Eased Edges
 CA*, PO

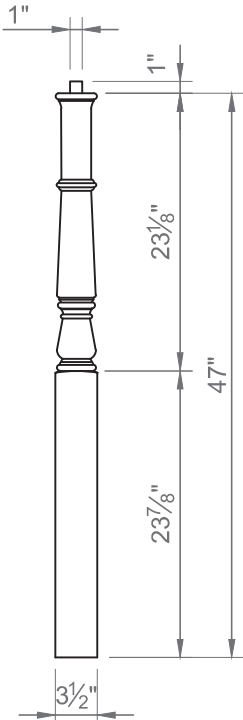


Baluster
 1-1/4" SQ. x 42"
 Eased Edges
 CA*, PO

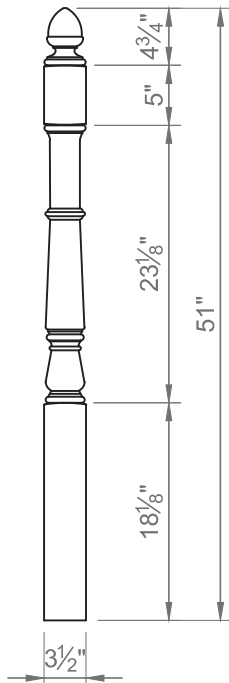


Tapered Dowel Top
 2-1/4" x 3-1/2" x 47"
 Made To Order.

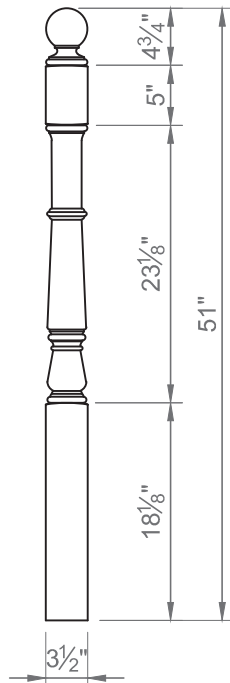
BEEHIVE PATTERN



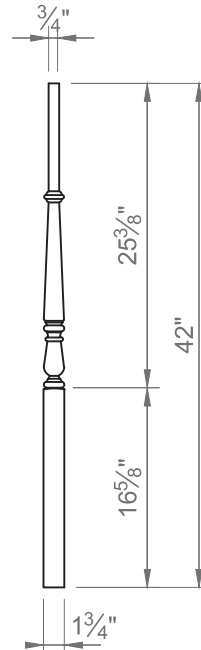
Dowel Top
3-1/2" x 47"
Made To Order.



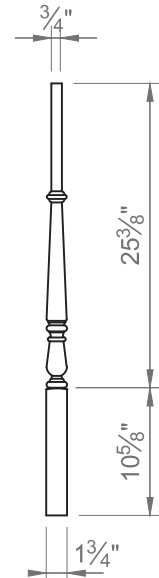
Acorn Top
3-1/2" x 51"
Made To Order.



Ball Top
3-1/2" x 51"
Made To Order.

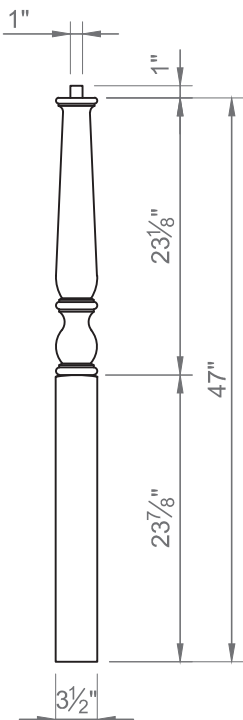


Baluster
1-3/4" x 42"
Made To Order.

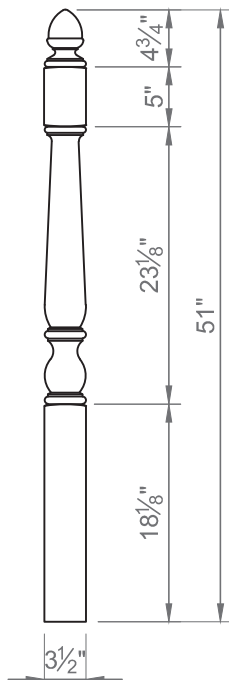


Baluster
1-3/4" x 36"
Made To Order.

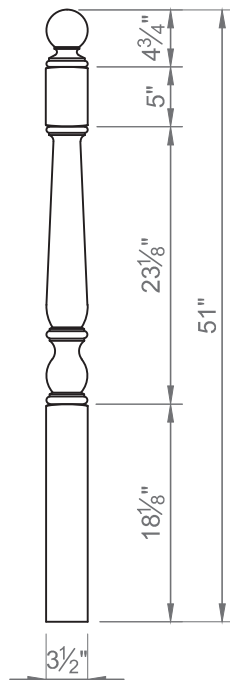
COLONIAL PATTERN



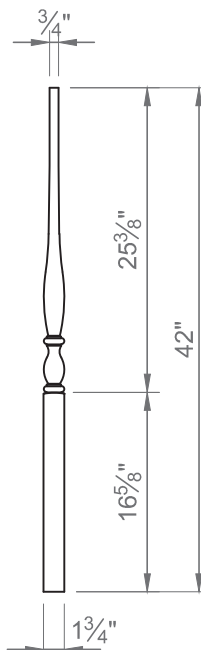
Dowel Top
3-1/2" x 47"
Made To Order.



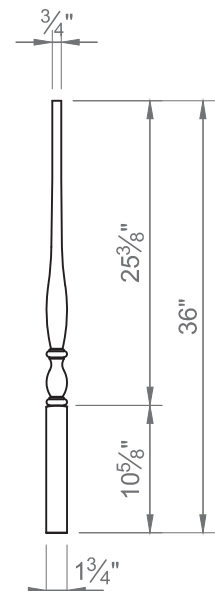
Acorn Top
3-1/2" x 51"
Made To Order.



Ball Top
3-1/2" x 51"
Made To Order.



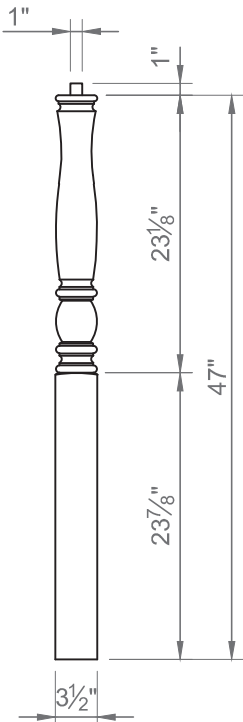
Baluster
1-3/4" x 42"
Made To Order.



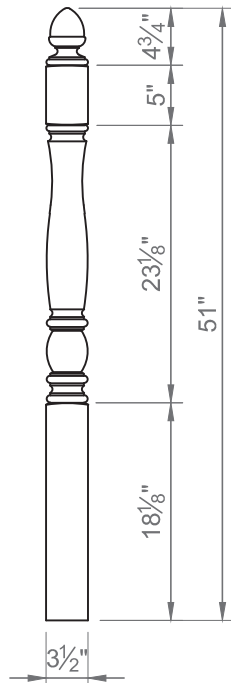
Baluster
1-3/4" x 36"
Made To Order.

BALUSTERS AND NEWELS

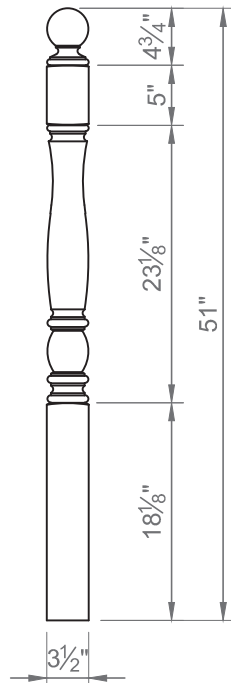
FRENCH PATTERN



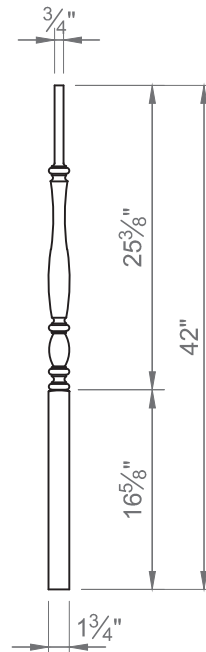
Dowel Top
3-1/2" x 47"
Made To Order.



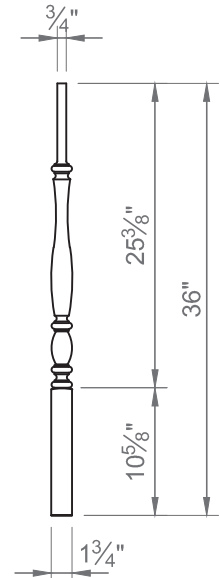
Acorn Top
3-1/2" x 51"
Made To Order.



Ball Top
3-1/2" x 51"
Made To Order.

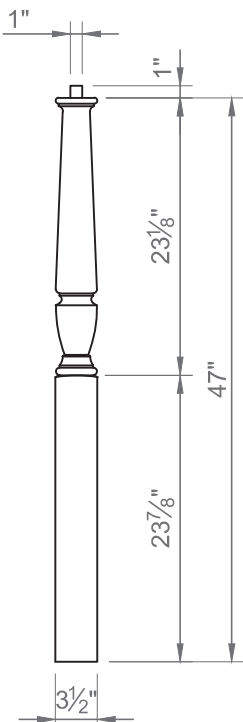


Baluster
1-3/4" x 42"
Made To Order.

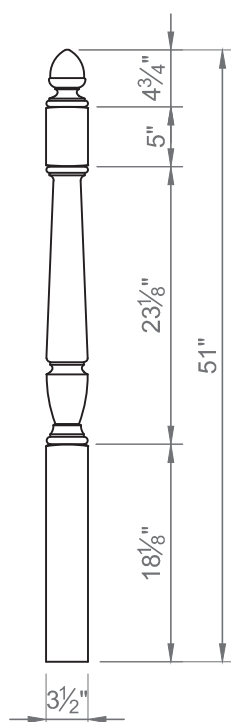


Baluster
1-3/4" x 36"
Made To Order.

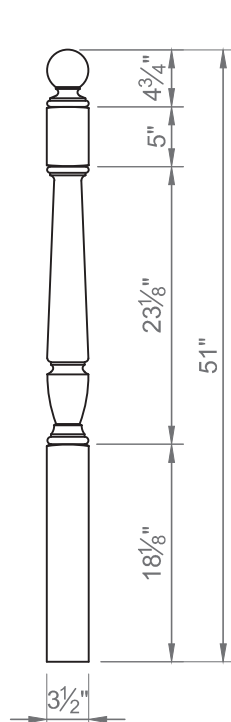
REGENCY PATTERN



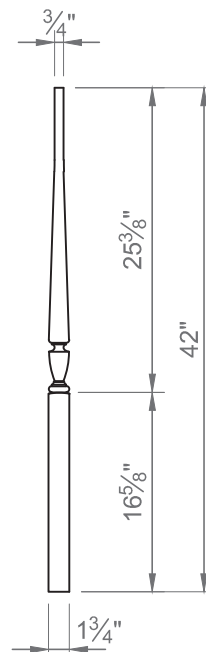
Dowel Top
3-1/2" x 47"
Made To Order.



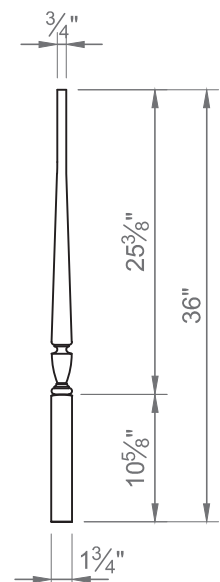
Acorn Top
3-1/2" x 51"
Made To Order.



Ball Top
3-1/2" x 51"
Made To Order.

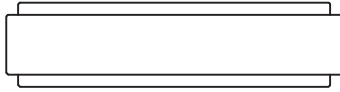


Baluster
1-3/4" x 42"
Made To Order.



Baluster
1-3/4" x 36"
Made To Order.

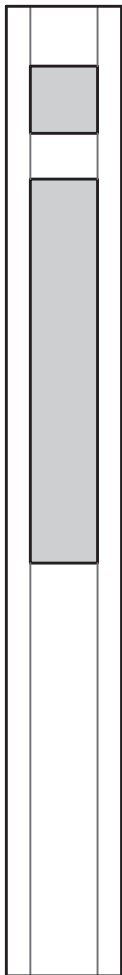
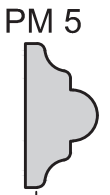
Note : Rail Side Panels For All Box Newels Are Prepared According To The Specific Location In The Balustrade. Starting Newels Have A Single Flush Face; Intermediate Newels Have Two Opposite Flush Faces; Corner Newels Have Two Adjacent Flush Faces. Specify When Ordering



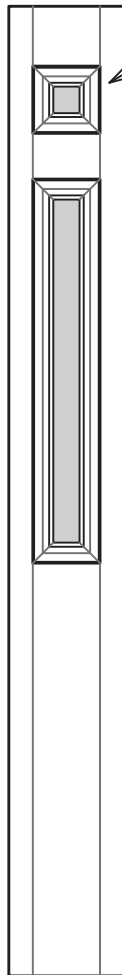
SHAKER CAP
For 5 Or 6 Inch Newels
CA, RO, SM



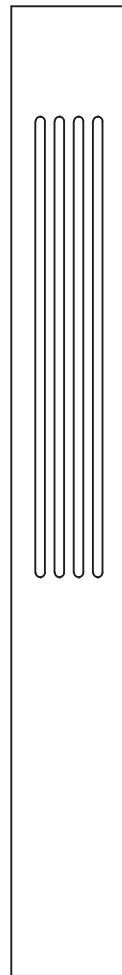
TRADITIONAL CAP
For 4, 5 Or 6 Inch Newels
CA, KC, RO, SM



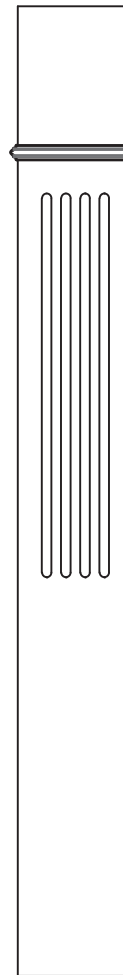
SHAKER
6" x 52"
CA, KA, PO, RO, SM
5" x 52"
CA, KA, PO, RO, SM



HERITAGE
6" x 52"
CA, KA, RO, SM
5" x 52"
CA, KA, RO, SM



FLUTED
6" x 52"
Non-Stock
5" x 52"
Non-Stock
4" x 52"
Non-Stock

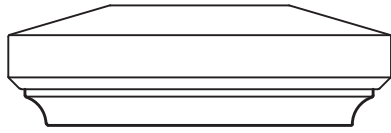


FLUTED w/ Trim Band
6" x 52"
Non-Stock
5" x 52"
Non-Stock
4" x 52"
Non-Stock

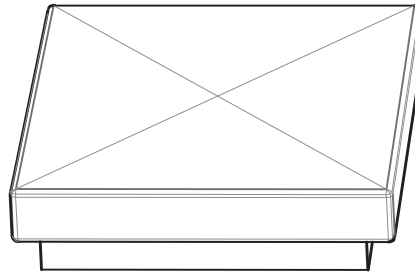
BOX NEWELS And CAPS



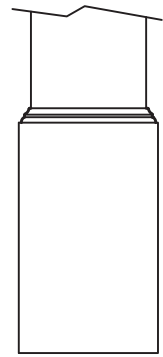
Note : We Stock Box Newels In Sizes Shown. We Can Also Custom Fabricate Them To Your Specifications. For More Information Please Call Our Office. All Box Newels Are Manufactured To A Standard 52 Inches Tall.



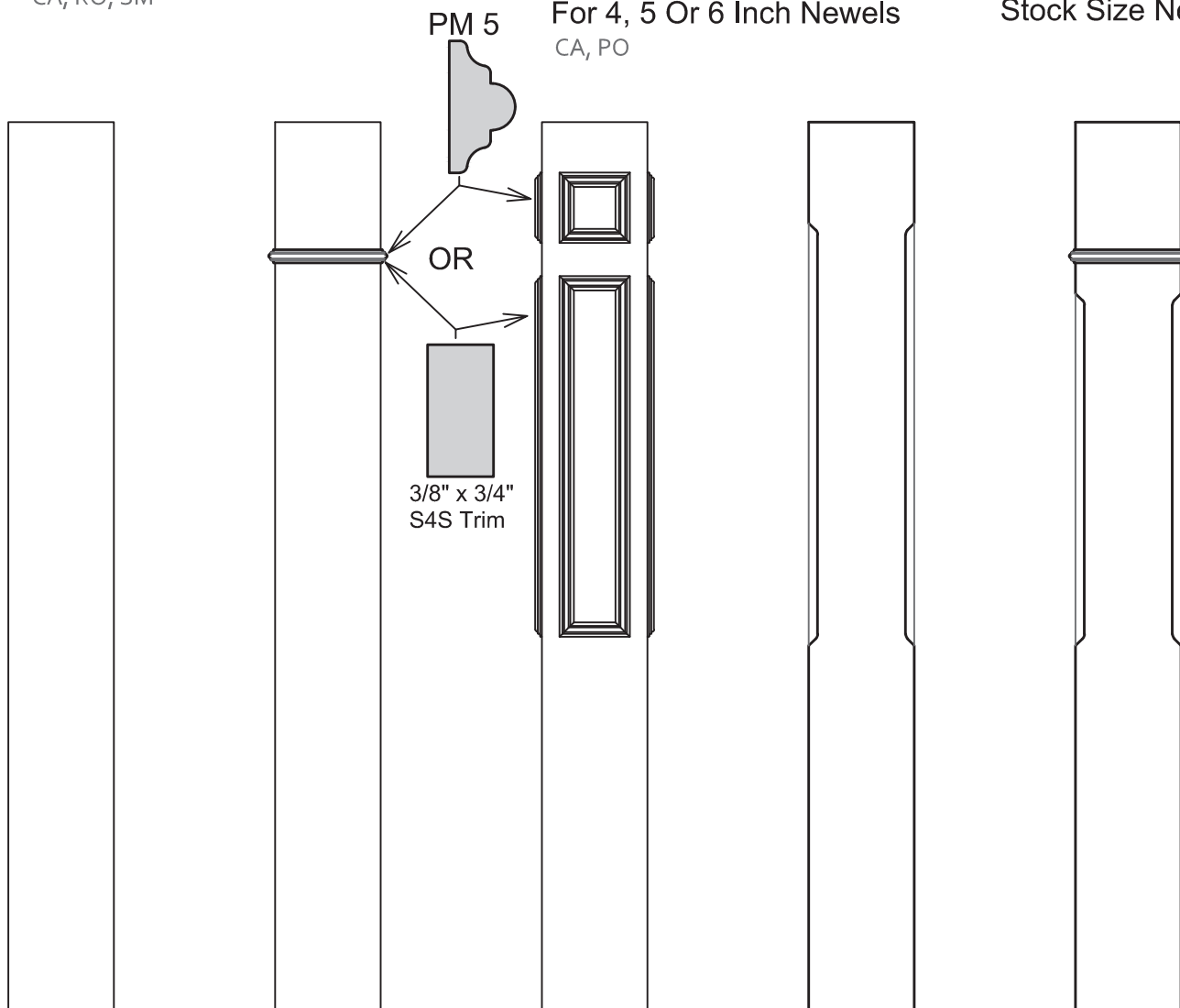
BEVELED CAP
For 4, 5 Or 6 Inch Newels
CA, RO, SM



S4S Cap - With 3/8" x 3/4" Trim Band
For 4, 5 Or 6 Inch Newels
CA, PO



Base Wraps And Trim Are Available For All Stock Size Newels



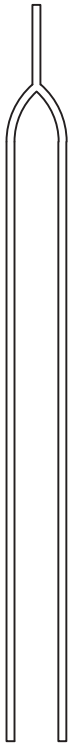
PLAIN
6" x 52"
CA, KA, KC, PO, RO, SM
5" x 52"
CA, KA, KC, PO, RO, SM
4" x 52"
CA, KA, KC, PO, RO, SM

PLAIN w/ Trim Band
6" x 52"
CA, KA, KC, PO, RO, SM
5" x 52"
CA, KA, KC, PO, RO, SM
4" x 52"
CA, KA, KC, PO, RO, SM

PLANT-ON
6" x 52"
CA, KA, RO, SM
5" x 52"
CA, KA, RO, SM
4" x 52"
CA, KA, RO, SM

CHAMFERED
6" x 52"
CA, KA, PO, RO, SM
5" x 52"
CA, KA, PO, RO, SM
4" x 52"
CA, KA, PO, RO, SM

CHAMFERED w/ Trim Band
6" x 52"
CA, KA, PO, RO, SM
5" x 52"
CA, KA, PO, RO, SM
4" x 52"
CA, KA, PO, RO, SM



Arch - Tubular
1/2" x 3-3/4" x 46"
Satin Black



Single Twist
1/2" x 44"
Satin Black



Double Twist
1/2" x 44"
Satin Black



Square Plain
1/2" x 44"
Satin Black



Round Plain
5/8" x 44"
Satin Black



Mega Plain
3/4" x 44"
Satin Black



Oval
1/2" x 44"
Satin Black



Rectangle
1/2" x 44"
Satin Black



Single Ribbon
1/2" x 44"
Non-Stock



Double Ribbon
1/2" x 44"
Non-Stock



Single Knuckle
9/16" x 44"
Non-Stock



Double Knuckle
9/16" x 44"
Non-Stock

IRON BALUSTERS & PARTS



Gothic Plain Hammered
9/16" x 44"
Satin Black



Gothic Single Spoon
9/16" x 44"
Non-Stock



Gothic Double Spoon
9/16" x 44"
Non-Stock



Plain Hammered
9/16" x 44"
Satin Black



Single Forged Ball
9/16" x 44"
Satin Black



Double Forged Ball
9/16" x 44"
Satin Black

MANY MORE STYLES AND COLORS OF BALUSTERS AVAILABLE UPON REQUEST. PLEASE CALL OR VISIT OUR SHOWROOM FOR MORE INFORMATION.



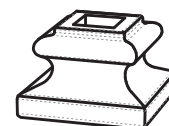
Level Base Collar
For 1/2" Balusters
Satin Black



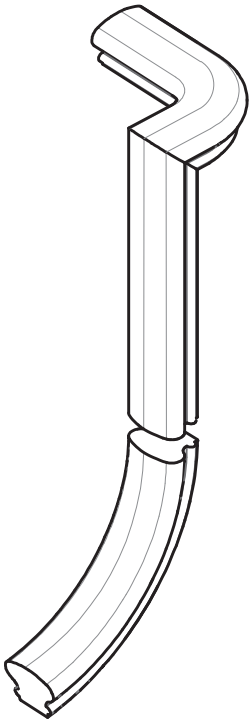
Pitch Shoe
For 1/2" Or 9/16"
Satin Black



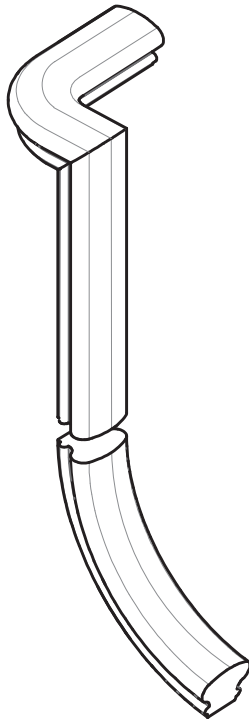
Angled Base Collar
For 1/2" Balusters
Satin Black



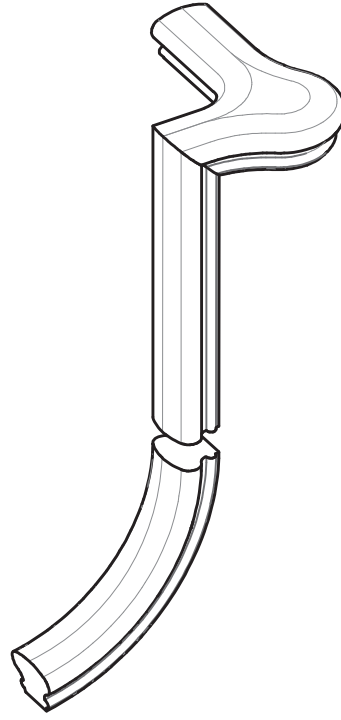
Flat Shoe
For 1/2" Or 9/16"
Satin Black



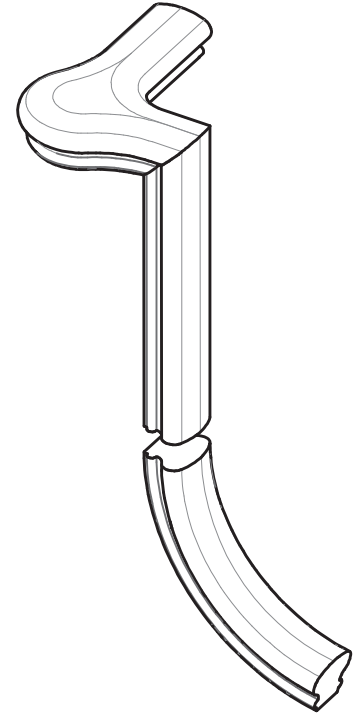
Left Hand
Goose



Right Hand
Goose

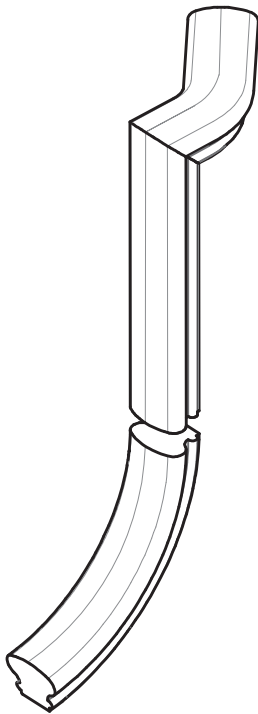


Left Hand
Goose w/Cap

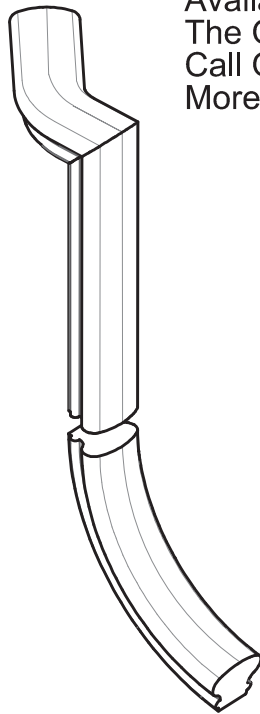


Right Hand
Goose w/Cap

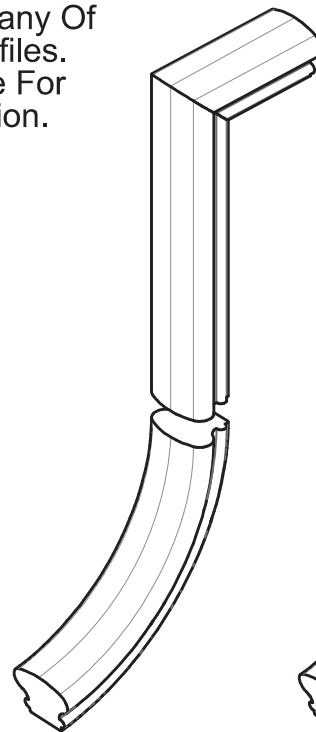
Note: All Fittings
Shown Here Are Also
Available In Many Of
The Other Profiles.
Call Our Office For
More Information.



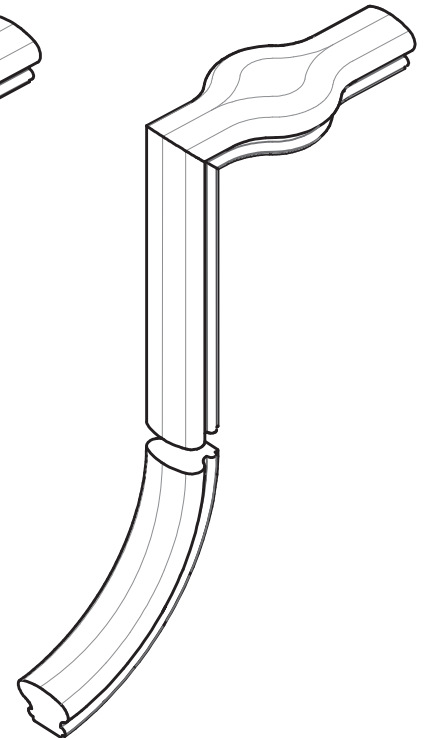
Left Hand
1/8 Goose



Right Hand
1/8 Goose

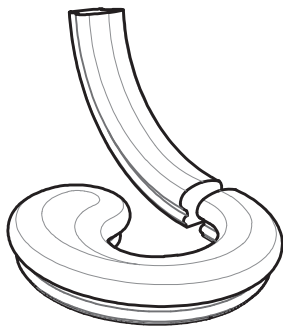


Gooseneck

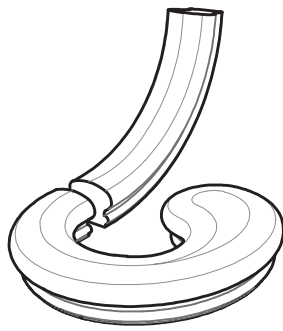


Gooseneck w/ Cap

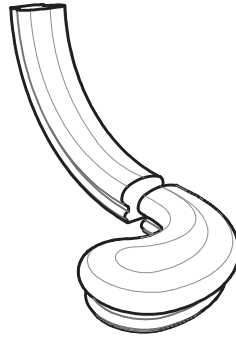
FITTINGS



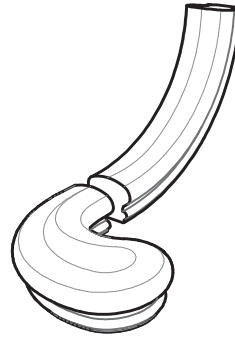
Left Hand Volute



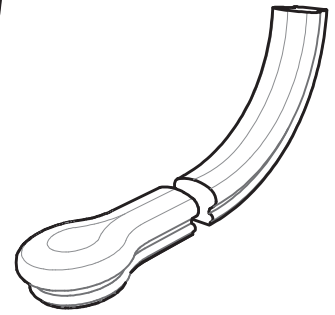
Right Hand Volute



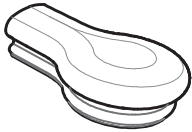
Left Hand Turnout



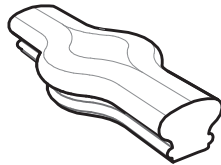
Right Hand Turnout



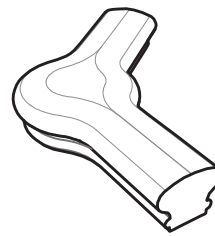
Starter Easing With Cap



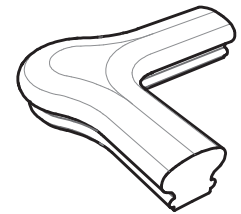
End Cap



Tandem Cap



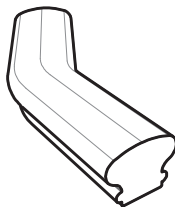
1/8 Turn w/ Cap



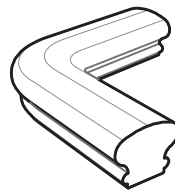
Quarter Turn w/ Cap



Returned End



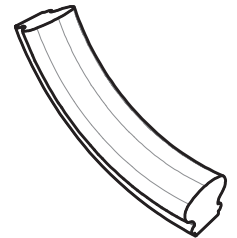
1/8 Turn



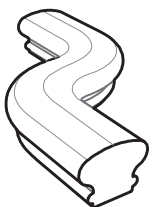
Quarter Turn



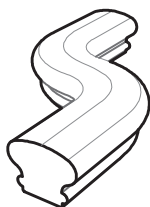
Overease



Upease



Left Hand S-Turn



Right Hand S-Turn

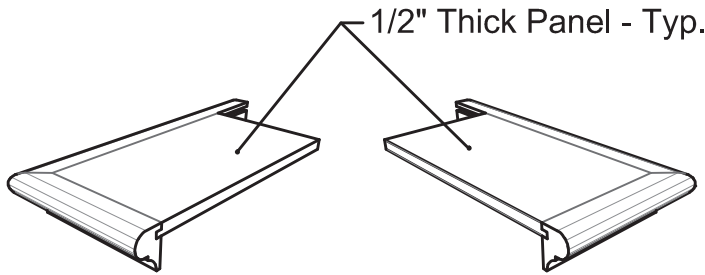


Top Right / Bottom Left, Wall Return



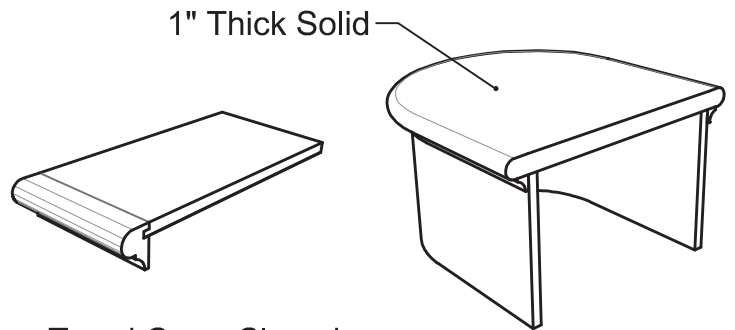
Top Left / Bottom Right, Wall Return

Note: The S-Turn Fittings are only Stocked In A 5" Offset. Other Offsets Are Available As A Custom Order And Should Be Specified When Ordering.



Left Hand Tread Cap
1-3/4" x 7-1/4" x 12"
CA, CH, HK, RO, SM, WO

Right Hand Tread Cap
1-3/4" x 7-1/4" x 12"
CA, CH, HK, RO, SM, WO



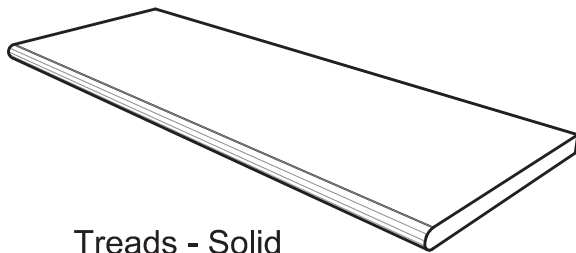
Tread Cap - Closed
1-3/4" x 6" x 12"
CA, CH, HK, RO, SM, WO

Starter Cap w/ Riser
14-1/2" Diameter
Non Stock

Note : Tread Caps Also Available With Square Nosings Upon Request (See Page 53)

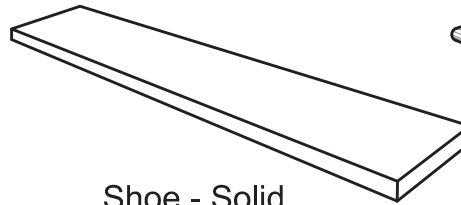
Notes:

1. See Page 1 For Material Species Key.
2. * = Discontinued, Limited To Stock On Hand.



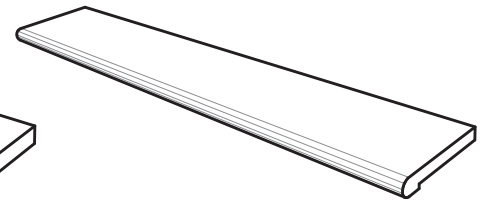
Treads - Solid
1" x 12" Bullnose Front
CA, HK, RO, SM, WO

Note : Square Nosing Available Upon Request.

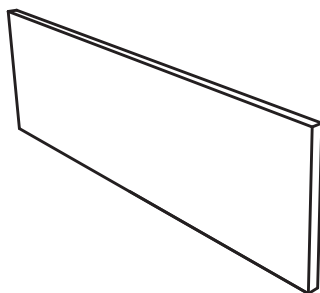


Shoe - Solid
1" x 6" S4S
1" x 8" S4S

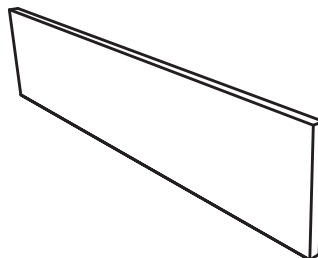
CA, HK, KA,
PO, RO, SM, WO



Landing Tread - Rabbeted
1" x 8" Bullnose Front
CA, KA



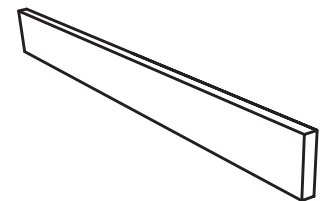
Skirt
3/4" x 11-1/4" S4S
CA, CH, HK, KA,
PO, RH, RO, SM



Riser - Solid
3/4" x 8" S4S
CA, HK, KA,
RO, SM

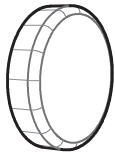


Riser Cap
1/2" x 8" x 6"
CA, CH, HK, RO, SM



Apron
3/4" x 3-1/2" S4S
3/4" x 5-1/2" S4S
CA, CH, HK, KA,
KC, PO, RO, SM

ROSETTES & ACCESSORIES



Round Rosette Large
1" x 4-1/2" Dia.
CA, CH*, HK, RO, SM



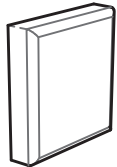
Round Rosette Small
1" x 3-1/2" Dia.
CA, HK, RO, SM



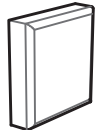
Oval Rosette Large
1" x 4-1/2" x 6"
CA, CH*, HK, RO, SM



Oval Rosette Small
1" x 4" x 5-1/2"
CA, HK, RO, SM



Square Rosette
1" x 4-1/2" x 4-1/2"
CA, HK, RO, SM



Square Rosette
1" x 3-1/2" x 3-1/2"
CA, WO

Notes:

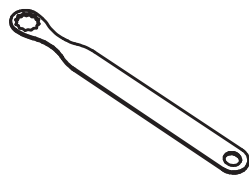
1. See Page 1 For Material Species Key.
2. * = Discontinued, Limited To Stock On Hand.



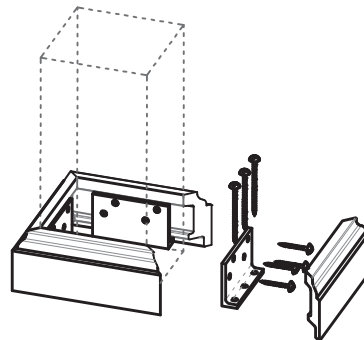
Wood Plugs
5/16" Thick
3/8" - 1/2" - 1" Dia.



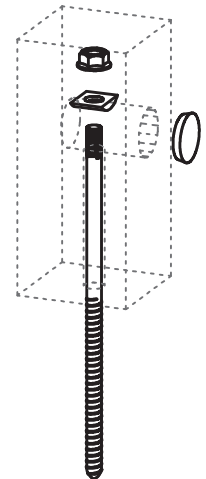
Handrail Bracket Wall Mount Solid
Satin Nickel
Oil Rubbed Bronze
Satin Black



Rail Bolt Wrench
For 1/2" Hex Head



3-1/2" L-Bracket Post Fastening Kit



Lag Bolt Newel Fastening Kit



Dowel Screw
5/16" x 2-1/2"



Rail Bolt Kit
1" Dia. Plug Provided



Rail Bolt
5/6" x 3-1/2"

